

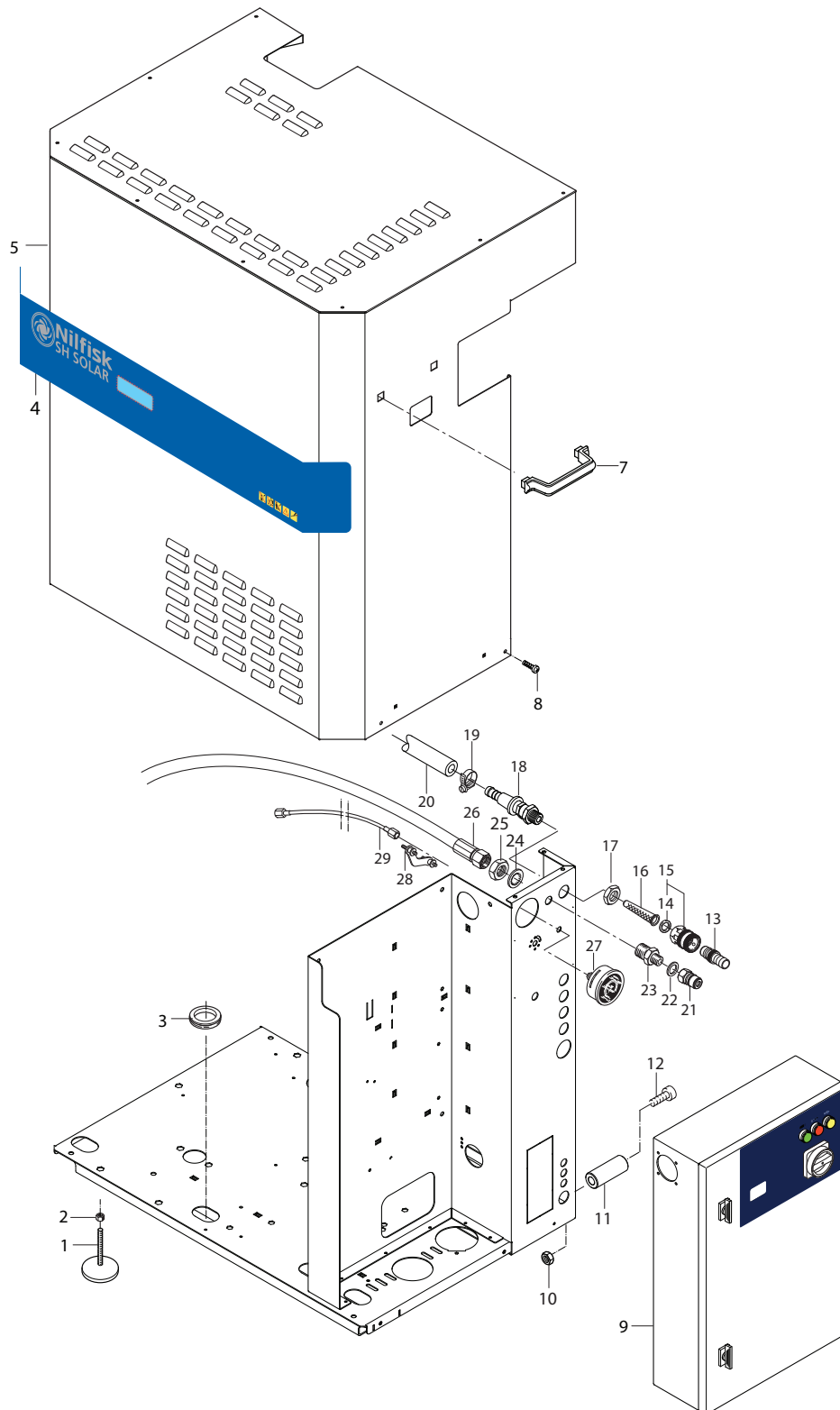
PARTS LIST



2017.06.07

TABLE OF CONTENTS

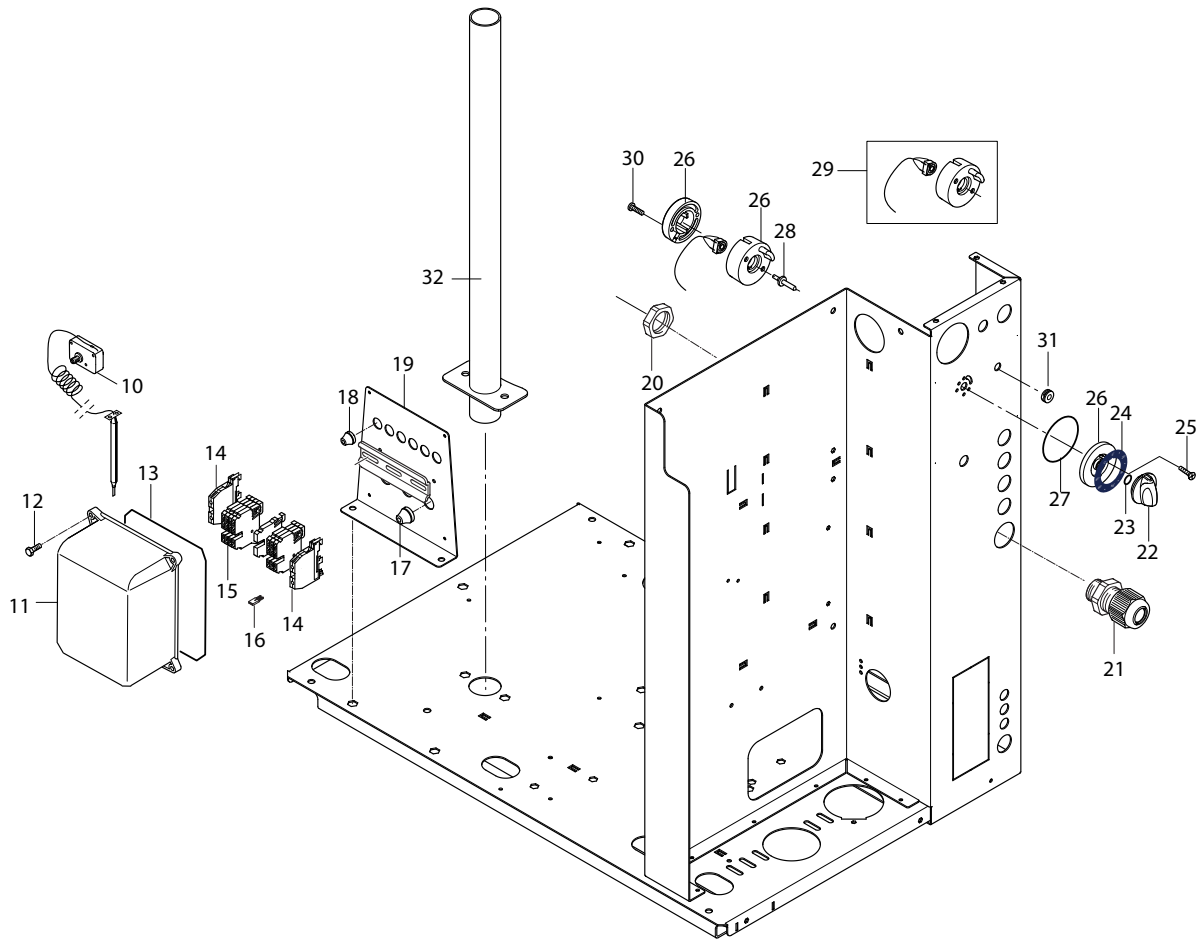
Overview 1 G and GH	1
Overview 2 G	3
Water tank D and G	5
Electrical components	7
Unloader 7 (a)	9
Unloader 7 (b)	11
Connection plate 7	13
Cylinder block 7	15
Motor 7	17
Fan G	20
Distributor solar G (N7)	22
Boiler G	24
Boiler GW	26
OPTION Multiply machine connection box	28
OPTION 1x Detergent electric	30
OPTION 2x Detergent electric	32
OPTION 1x Manuel detergent - 5 and 7	34
Water lock G	36
OPTION Closed air intake G	38
Recommended spare parts	40
OPTION No-scale	42



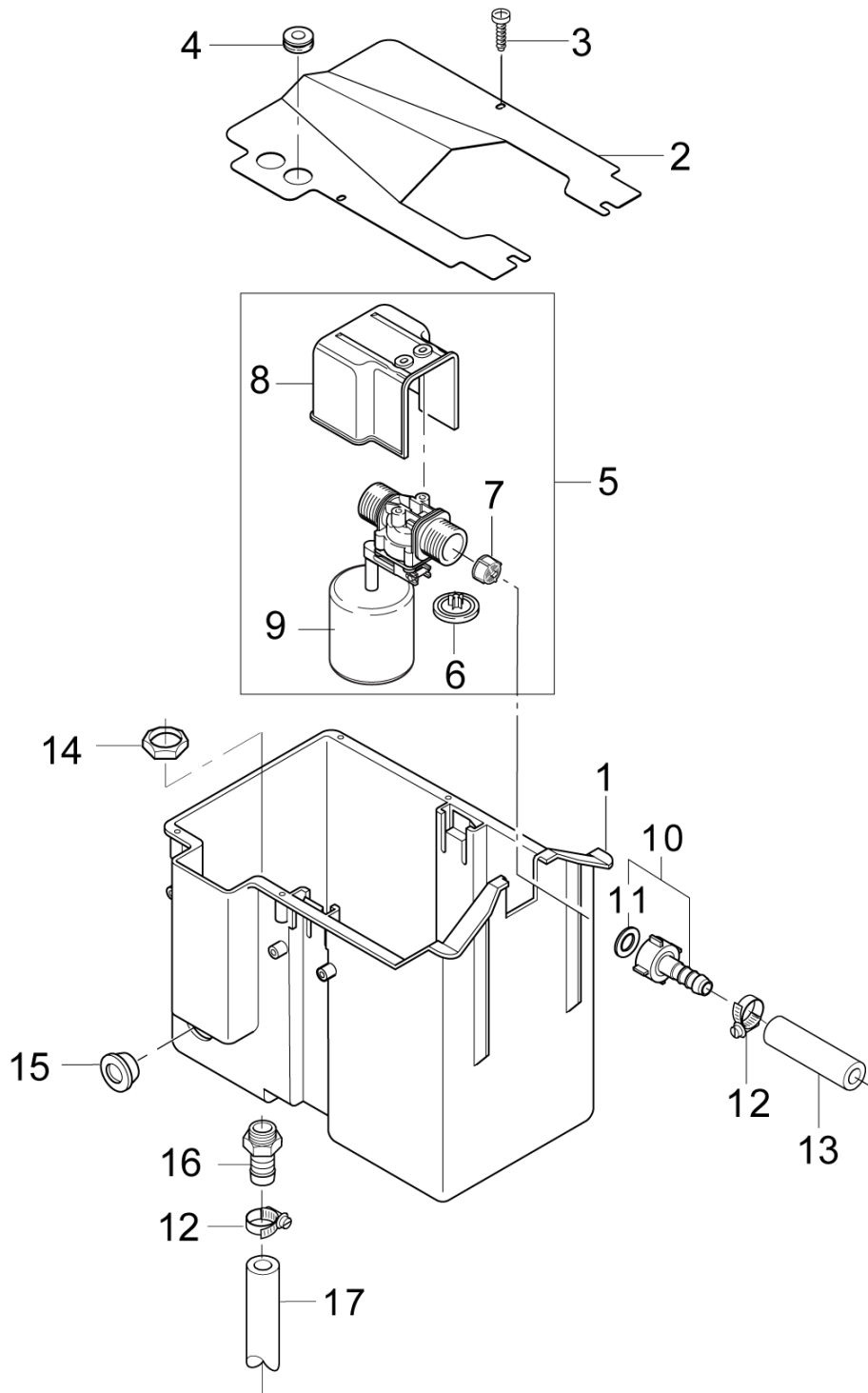
Pos.	Vare-nr	Antal	Beskrivelse	Notes
1	4602422	4	Maskinsko	
2	1810068	8	NUT M12	
3	103004331	2	SLEEVE PVC 45/ 60	
4	107319001	1	Front Label Solar Booster	
5	107318084	1	CABINET SOLAR G/GH	
7	107318079	2	HANDLE FOR CABINET	
8	101814686	7	Screw M5X16	[1]
9		1	EI-box	[2]
10	1801905	2	Møtrik M8	
11	107318080	2	SPACER	
12	1812296	2	SCREW M8X25 STAINLESS	
13	1600659	1	KEW kobling slange-ende 3/4" han	
14	3001237	1	Pakning Ø24,5Xø16X3	
15	1602945	1	KEW kobling, indiv. gevind 3/4"	
16	6100941	2	Filter	
17	1800341	1	"Kontramøtrik 3/4"" "	
18	6100937	1	Filterhus	
19	1810191	2	Spændebånd 13-27 A4 (SS)	
20	106408242	1	HOSE 5/8INCH - 2 METERS	
21	1603101	1	Ergo højtryksskobling DN10 RF han	
22	1801075	1	Tætningskive 3/8"	
23	6200484	1	Skotforskrining	
24	1810076	1	TOOTHED WASHER J M18	
25	1803220	1	Kontramøtrik M18X1,5	
26	107318116	1	HIGH PRESSURE HOSE 3/8	
27	3600301	1	Manometer	
28	1808088	1	Spændestykke F. Manometer	
29	102406647	1	Slange	

Part Notes:

- [1] - STOCK COVERS GUARANTEE
 [2] - E-box
 See Electric parts



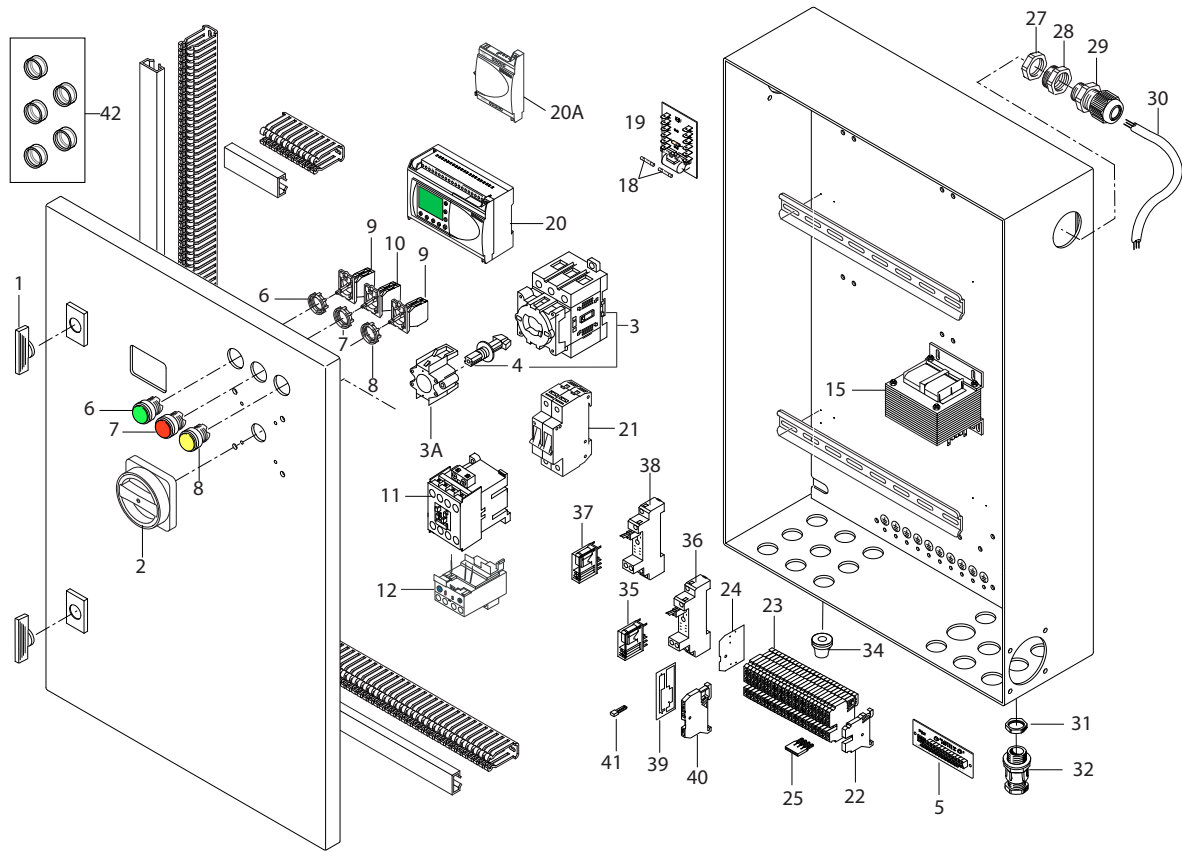
Pos.	Vare-nr	Antal	Beskrivelse	Notes
10	106268028	1	Exhaust Safety Thermostat Kit	
11	107318081	1	COVER FOR EL-BOX SOLAR D+G	
12	1804822	4	SCREW TAPTITE M4X16	
13	101406054	1	Sponge Rubber Ø4 L 1M	
14	3817483	2	Klemmerække, Jord	
15	103821920	12	WIRE TERMINAL	
16	103821923	1	JUMPER 2-POL.	
17	3803772	3	CABLE GROMMET TET 7-10C	
18	3803764	6	Pakdåse Tet 5-7C	
19	107318082	1	BRACKET FOR EL-BOX	
20	103821842	1	Møtrik M40X1,5	
21	103821831	1	Kabelbøsning	
22	909100204	1	Drejeknap	
23	9868	1	O-ring 10.0X2.5	
24	107319070	1	LABEL TEMP. SCALA 30-99DGC	
25	101814714	2	SCREW WN 1423 K40X16	
26	107313045	1	Sokkel For Drejeknap (Ter Mo)	
27	3001443	1	O-RING 60.0X2.62 NITRIL 70SH	
28	301000636	1	Aksle	
29	101118156	1	POTENTIOMETER KIT FOR SOLAR BOOSTER	
30	1814598	2	Skruer	
31	5172	1	RUBBER BUSH	
32	107313052	1	CENTRAL TUBE	



Pos.	Vare-nr	Antal	Beskrivelse	Notes
01	7350195	1	Vandtank	
02	107302155	1	Låg	
03	16860	1	Skruer 4x12	
04	5172	2	RUBBER BUSH	
05	63349	1	Svømmerventil	
06	62878	1	Gummimembran	
07	34225	1	Filter	
08	34240	1	Afdækning	[1]
09	62877	1	Svømmer	
10	101609358	1	HOSE TAIL 16X3/4 INCH	
11	15587	1	Pakning	
12	1810191	4	Spændebånd 13-27 A4 (SS)	
13	107318087	1	Slange 5/8 2M	
14	101609356	1	NUT 1/2IN	
15	107307364	1	PLUG D36X18 WATERTANK	
16	101609359	1	HOSE TAIL 1/2 INCH.X16MM	
17	107318088	1	HIGH PRESSURE HOSE DN8	

Part Notes:

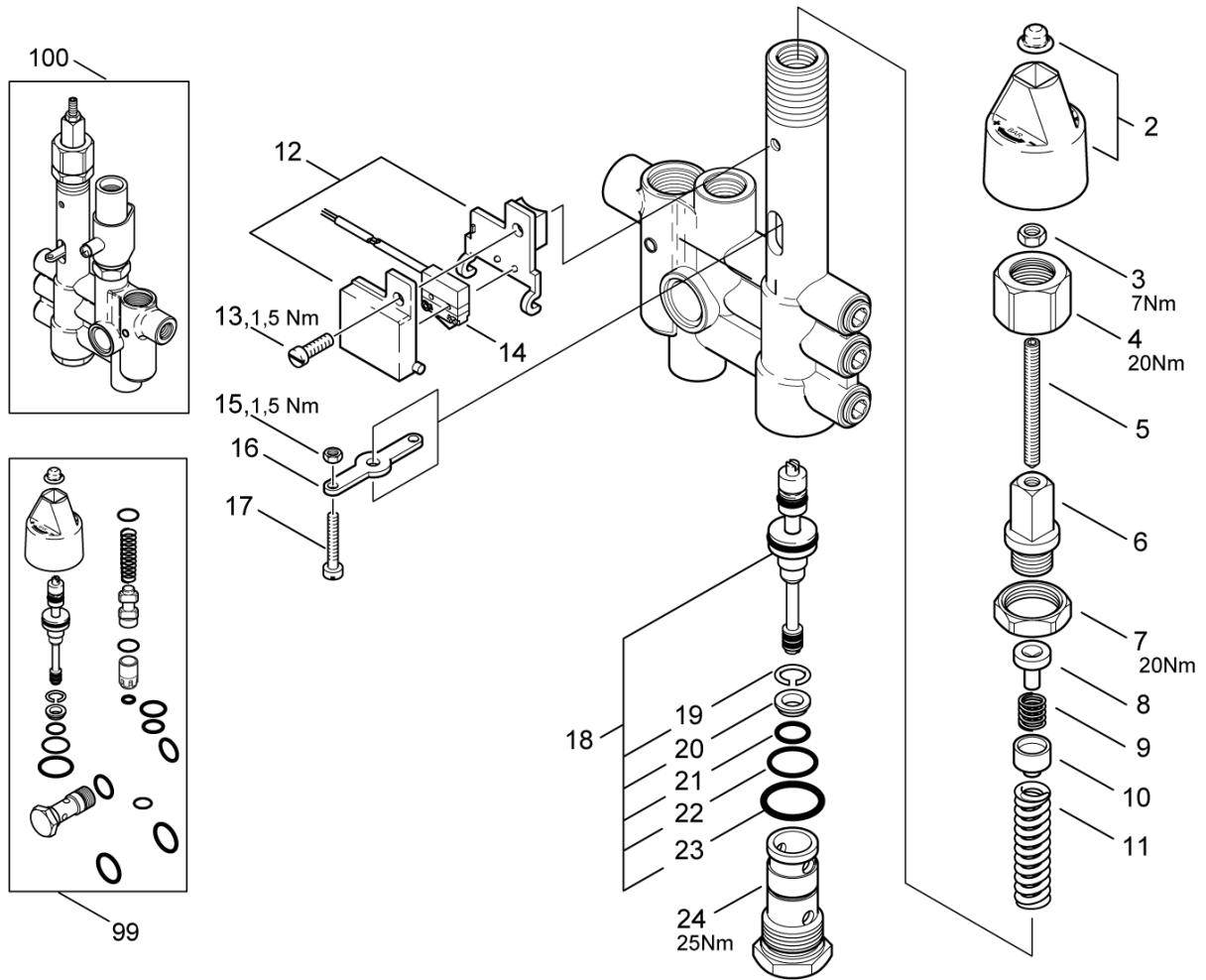
[1] - PLEASE CONTACT CARWASH DIRECTLY



Pos.	Vare-nr	Antal	Beskrivelse	Notes
01	103821959	2	Key	
02	3830121	1	Greb for hovedafbryder	
03	103821919	1	MAIN SWITCH 25A	
03A	103821907	1	SHAFT FOR MAIN SWITCH 194L-G2853	
04	103821960	1	HANDLEBAR FOR MAIN SWITCH 25 A	
05	106420052	1	Circuit Board Solar Boos Ter	[1]
06	103821823	1	Lampekontakt, Grøn	
07	103821824	1	Signal Light Atteachment, Red	
08	103821900	1	SIGNAL LIGHT ATTACHMENT YELLOW	
09	103821825	2	Lampekontakt, Krop-Slutte	
10	103821826	1	Lampekontakt, Krop-Bryde	
11	103822306	3	Contacteur Cjx2-D18-B7 24V	[2]
11	103822313	1	Contacteur 12-25A 50/60Hz 24V	[3]
12	103822328	1	Thermal Relay 17-25Amp	[4]
12	103822327	1	Relæ 12-18 Amp	[5]
15	103821847	1	CONTROL TRANSFORMER 230V 24/19	
15	103821846	1	Sikkerhedstranf. 400V	
18	3812385	2	Sikring Ø5X20	
19	106420051	1	Circuit Board	
20	106426054	1	Plc M/Alto-Program Solar D	[6]
20	106426057	1	PLC M/ALTO-PROGRAM SOLAR GH	[7]
20	106426056	1	PLC M/ALTO-PROGRAM SOLAR G	[1]
20	106426059	1	PLC W/ALTO-PROGRAM SOLAR GW	[8]
20A	103821948	1	EXPANDER AL2-4EYR	
21	103821905	1	SAFETY DEVICE 2 POL 6A	
22	103821922	2	DIN-END STOP WO/SCREW WAGO 249-116	
23	103821920	14	WIRE TERMINAL	
24	103821921	1	END PLATE	
25	103821924	2	JUMPER 4-POL.	
27	103821832	1	NUT M25X1.5 PA/L GREY	
27	103821842	1	Møtrik M40X1,5	
28	103821874	1	REDUCTION M40/M25	
29	103821831	1	Kabelbøsning	
30	107318008	1	POWER CORD SOLAR D 1 PHASE	
30	107318001	1	Strømkabel Solar Booster D	
31	103821778	4	NUT M20X1.5	
32	103821785	4	CABLE BUSHING	
34	3803780	9	Pakdåse Tet 10-14C	
35	103821912	1	Mini Relay 1P 230V	[9]
36	103821914	1	BASE FOR MINI RELAY 1POL	[9]
37	103821915	2	Mini Relay 2P 24Vac	[10]
38	103821916	2	BASE	[10]
39	103821968	1	Endeplade Wago 4Q	
40	103821967	6	WIRE TERMINAL WAGO281 800V 4MM2	
41	103821969	2	Laske Wago 4Q	
42	107318028	1	Protection Cover 5 Pcs.	

Part Notes:

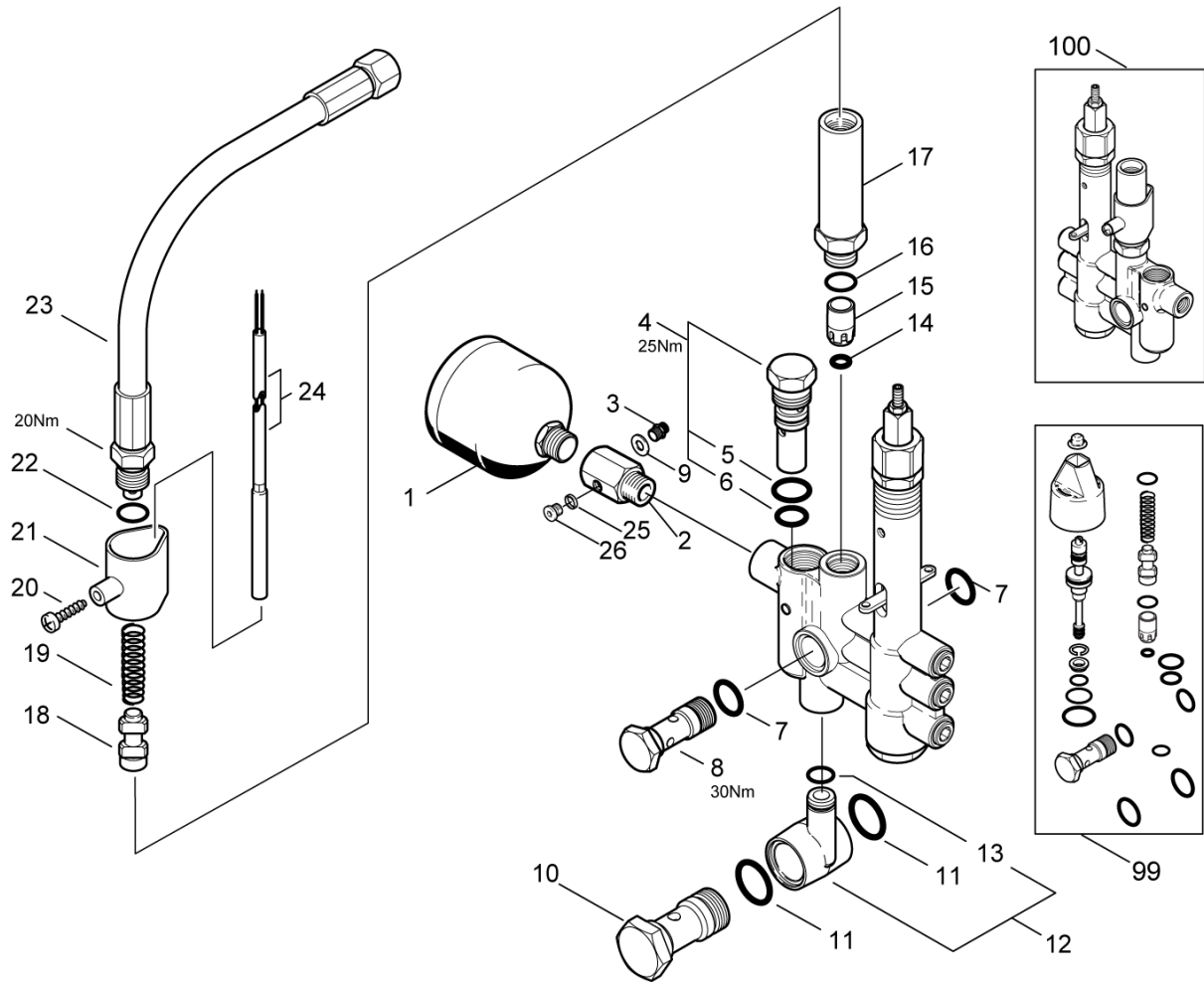
- [1] - G
- [2] - 400V
- [3] - 230V
- [4] - 17-28A
- [5] - 12-16A
- [6] - D
- [7] - GH
- [8] - SOLAR BOOSTER 7-58GW
- [9] - K3, K5 (G, GH)
- [10] - K2, K2,1 (GW)



Pos.	Vare-nr	Antal	Beskrivelse	Notes
02	62397	1	Drejeknap	[1]
03	3136	1	Møtrik	[2]
04	62710	1	Omløber	[2]
05	62711	1	Gevindstift	[2]
06	62712	1	Justerskrue	[2]
07	62696	1	Møtrik	[2]
08	62695	1	Fjederstyr	[2]
09	62713	1	Fjeder	[2]
10	62694	1	Sæde	[2]
100	301000903	1	Omløbsventil Kompl. 3Ph	[3]
11	40972	1	Fjeder	[2]
12	62401	1	Hus til microswitch	
13	3349	1	Skruer	
14	301000731	1	Mikrokontakt	
15	2759	1	Møtrik M8	
16	62717	1	Kontaktbeslag	[2]
17	101117739	1	SCREW HEX M4X22-8.8 A2K DIN912	
18	64314	1	Reparationskit ventilstempel	[4]
19	909100001	1	Låsering	[4]
20	62708	1	Ventilsæde	[4]
21	49461	1	O-Ring	[4]
22	9523	1	O-Ring	[4]
23	32091	1	O-Ring	[4]
24	64301	1	Banjo Bolt	[2]
99	301001195	1	Rep. Sæt Omløbsventil	[5]
99	63056	1	Rep.Sæt Omløbsventil	[6]

Part Notes:

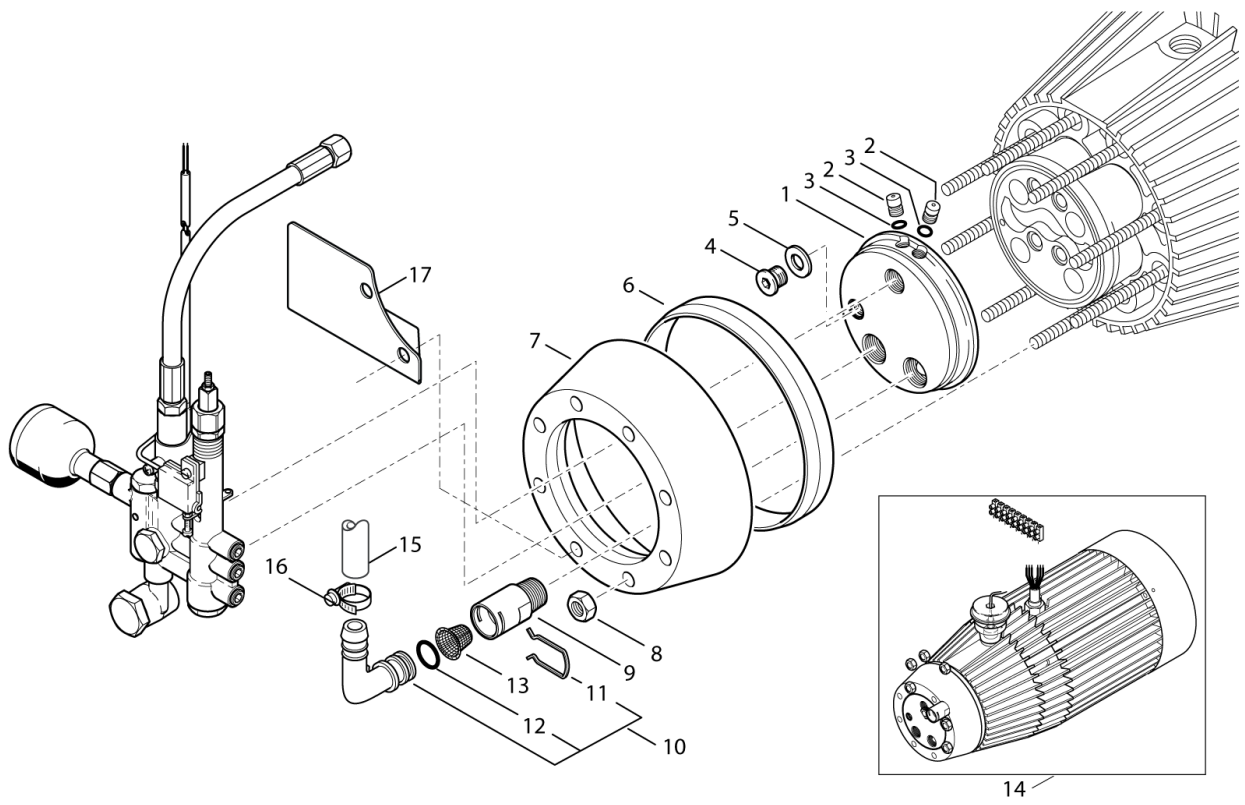
- [1] - part of pos. 99
- [2] - part of pos. 100
- [3] - 250BAR
- [4] - part of pos. 99 and 100
- [5] - 51, 57
- [6] - 37



Pos.	Vare-nr	Antal	Beskrivelse	Notes
01	63090	1	Trykudligner	
02	107312001	1	Socket	
03	1821	1	Fitting	
04	301000911	1	Sikkerhedsventil	[1]
04	62730	1	Sikkerhedsventil 200Bar	[2]
05	16443	1	O-ring	[3]
06	62706	1	O-Ring	[3]
07	16443	2	O-ring	[3]
08	62697	1	Banjo Bolt	[3]
09	101814735	1	"Tætn.Skive 1/8""Pp45C Bond "	
10	107121503	1	Banjo Bolt, Inlet	
100	301000903	1	Omløbsventil Kompl. 3Ph	[4]
11	24347	2	O-ring	[5]
12	63058	1	Tilslutningsstykke	
13	13739	1	O-ring	[3]
14	56519	1	O-Ring	[6]
15	301000905	1	Stempel	[6]
16	16998	1	O-Ring	[6]
17	62722	1	Hus	[7]
18	63538	1	Kontakt Stempel	[8]
18	57571	1	Kontaktstempel	[9]
19	6231	1	Fjeder	[3]
20	10028	1	Skrue	[10]
21	62399	1	Holder	[11]
22	62706	1	O-Ring	[3]
23	101406030	1	High Pressure Hose	
24	301002458	1	Reed Contact	
25	101814735	1	"Tætn.Skive 1/8""Pp45C Bond "	
26	4443	1	PLUG	
99	63056	1	Rep.Sæt Omløbsventil	[2]
99	301001195	1	Rep. Sæt Omløbsventil	[12]

Part Notes:

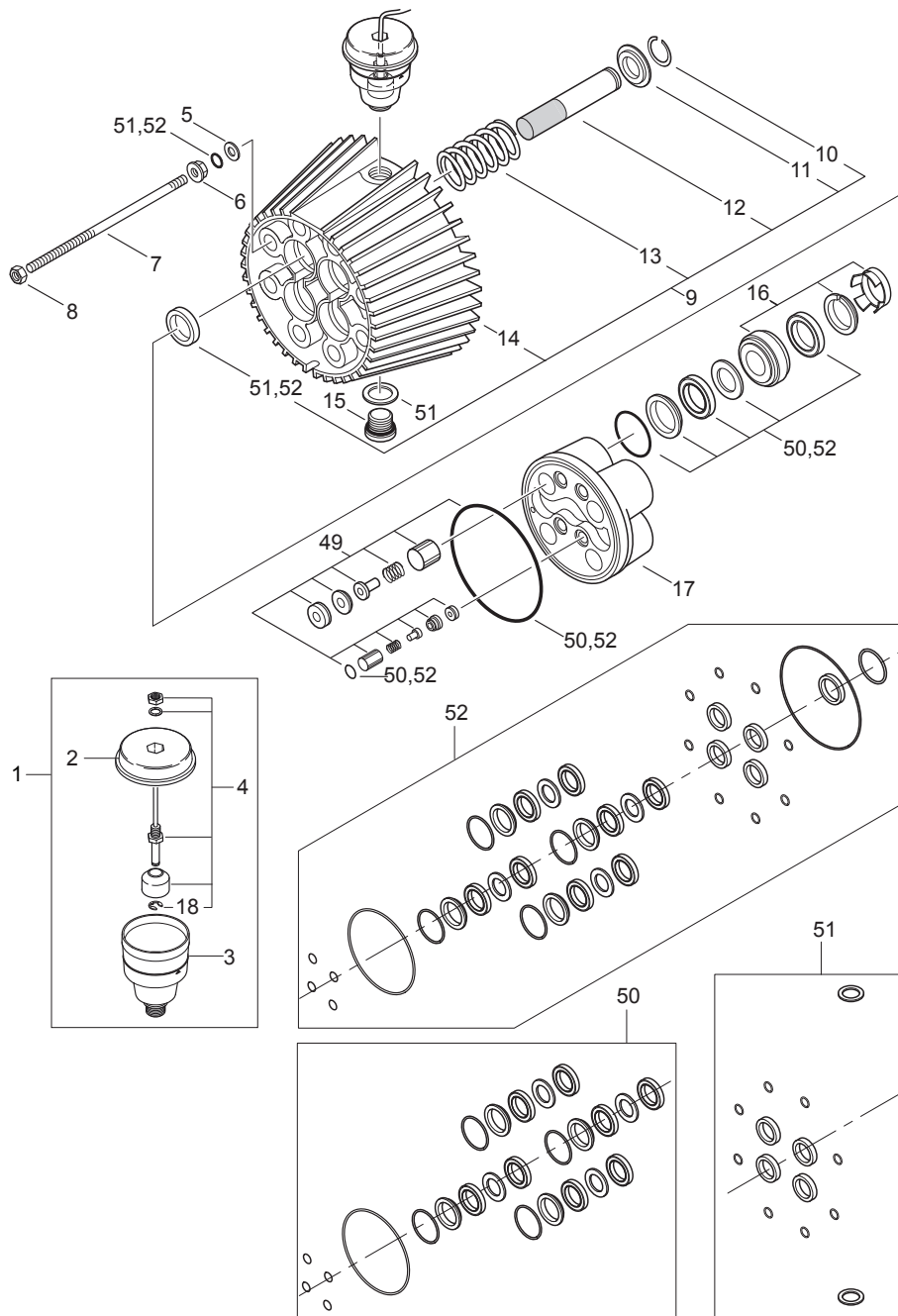
- [1] - 51,57
- [2] - 37
- [3] - part of pos. 99
- [4] - 250BAR
- [5] - part of pos. 99
PLEASE CONTACT CARWASH DIRECTLY
- [6] - part of pos. 99 and 100
- [7] - part of pos. 100
- [8] - part of pos. 99 for 51,57
- [9] - part of pos. 99 for 37
- [10] - part of pos 100
- [11] - part of pos.100
- [12] - 51, 57



Pos.	Vare-nr	Antal	Beskrivelse	Notes
01	107121500	1	Mellemlade	
02	107121501	2	Prop	
03	3000270	2	O-Ring 5,1X1,6 Nitril	
04	6180660	1	"Stik 1/8"" "	
05	3001740	1	O-Ring 7,66X1,78 Nitril	
06	6301392	1	Ring F. Motorpumpeenhed	
07	6100602	1	Spændering	
08	1800465	8	Møtrik M10	
09	107121502	1	Tilgangsstuds	
10	1119210	1	Rep. sæt tilgangsvinkel	
11	6180661	1	SPRING LOCK FOR BY-PASS VALVE	
12	3004226	1	O-Ring D13X3	
13	107312039	1	Filter	
14	107310010	1	Motorpumpeenhed	[1]
14	107310001	1	Motor Pump Unit	[2]
14	107310000	1	Motorpumpeenhed	[3]
14	107310002	1	MOTOR PUMP UNIT SOLAR	[4]
15	107318087	1	Slange 5/8 2M	
16	8298	1	Spændebånd	
17	107318139	1	BRACKET FOR C3	

Part Notes:

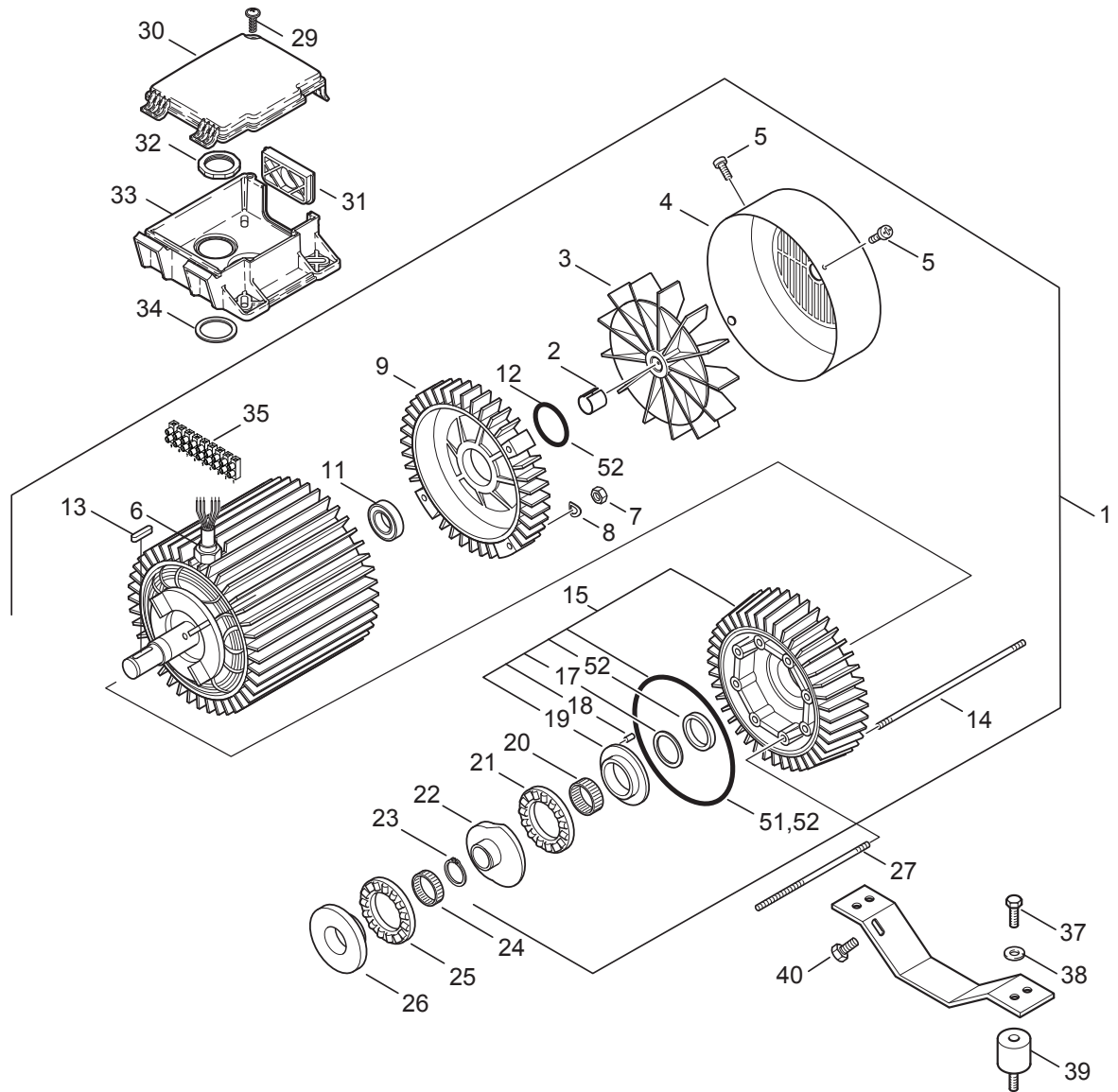
- [1] - for 7-63D
- [2] - for 7-51D, 7-51GH and 7-52GH
- [3] - for 7-57 and 7-58D, 7-58E, 7-58G
- [4] - for 7-37E and 7-38E



Pos.	Vare-nr	Antal	Beskrivelse	Notes
0-	5218433	1	Pumpeolie ISO 150 (1 liter)	[1]
1	301000616	1	Level Indicator, Pump Oil	
2	301000615	1	Dæksel	
3	301000614	1	Oliebeholder	
4	301001196	1	Float Switch	
5	6100718	8	Skive F. Stagbolt	
6	6100719	8	Trykring	
7	6301368	8	Stagbolt	
8	1800465	8	Møtrik M10	
9	6300071	1	Cylinderblok Komp.	
10	1802529	4	Seeger Springring	
11	6100666	4	Ring til returfjeder	
12	6301166	4	Trykstempel keramik C3	
13	102602517	4	Returfjeder C3K	
14	6100610	1	Cylinderblok	
15	6150400	1	Bundprop	
16	101119850	4	Rep.Sæt Trykring/Back-Up	
17	107120701	1	Cylinder	
18	107142593	1	HOLDING WASHER PE	[2]
49	1119195	1	Rep. sæt ventilsystem	
50	1119571	1	Rep. sæt (pakningssæt, reduceret)	[3]
51	1119820	1	Rep. sæt olietætning 03	
52	1119570	1	Rep. sæt pakninger C3	[3]

Part Notes:

- [1] - 1,1 l - OIL TYPES_QUANTITY for HPW_APRIL 2017
- [2] - TSB-PPW-2016-017 Locking ring for oil level switch falling off
- [3] - TSB-PPW-2016-011 Rep kit 1119571 and 1119570 potential have wrong O-ring in kit
DE TSB-PPW-2016-011 Rep Kit 1119571 und 1119570 beinhalten möglicherweise einen falschen O-Ring

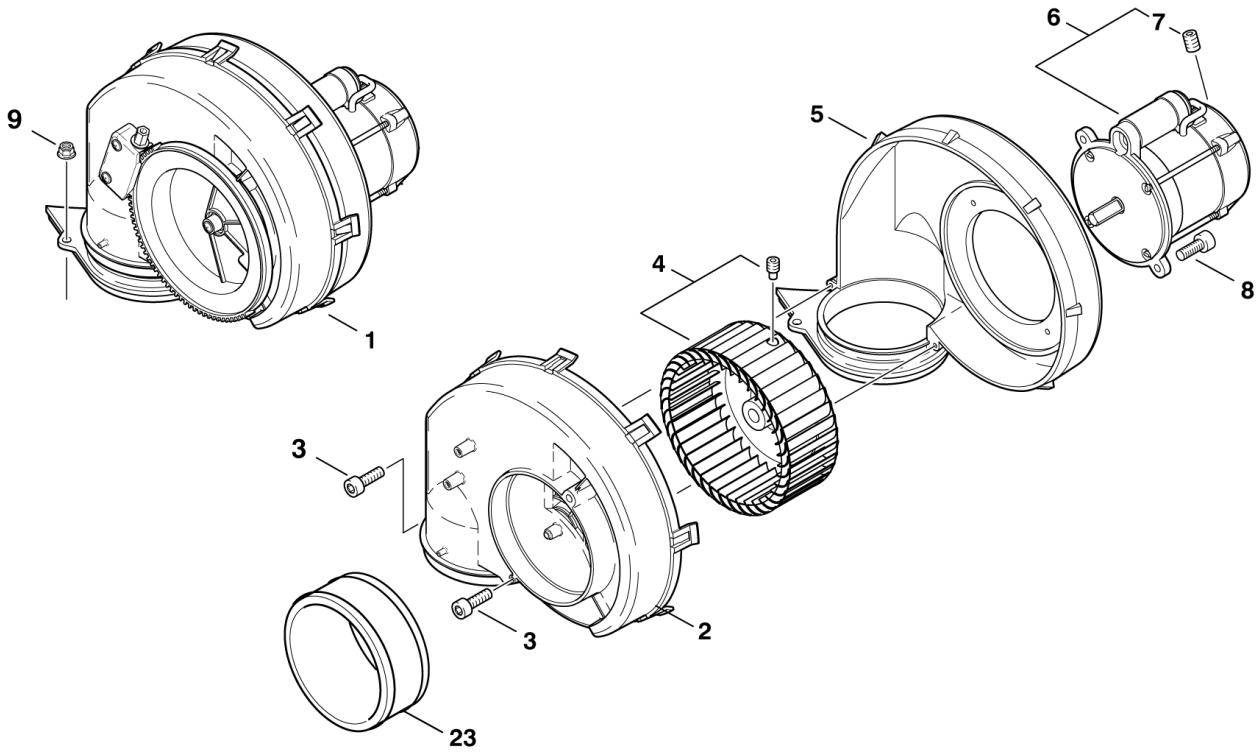


Pos.	Vare-nr	Antal	Beskrivelse	Notes
1	107310070	1	MOTOR 6.5KW 400-415.230/3/50	[1]
1	107310072	1	MOTOR 5.5KW 400-415.230/3/50	[2]
1	107310071	1	MOTOR 5.5KW 400-415.230/3/50	[3]
2	1802503	1	Låsering Ø25 x Ø25	
3	107142275	1	FAN AND RETAINING RING	[4]
3	6100607	1	Ventilatorvinge m. lås	[5]
4	107142276	1	COVER FOR FAN	[4]
4	6100609	1	Ventilatorskærm	[6]
5	101814693	4	SCREW M4X 8 EE DIN 7500 A2	
7	2758	4	Møtrik M8	
8	1801182	4	Fjederskive M8	
9	6100611	1	N-Lejedæksel	[7]
9	107140617	1	Rear Bearing Cover	[8]
9	107142277	1	REAR BEARING COVER	[4]
11	3200623	1	Leje	
12	107318244	1	O-RING 51.6X2.4 NBR70	
13	3200672	1	Feder	
14	6100711	8	Stagbolt F. Statorhus	
14	6100712	8	Stagbolt F. Statorhus	[9]
15	6101750	1	D-Lejedæksel Komp. 03	[10]
15	107140615	1	Front Bearing Cover Compl Ete	[11]
17	6100995	1	Skive	
18	6100996	1	Styrestift	
19	107120703	1	Lejeskive	
20	3200656	1	Nåleleje Ina K 40X46X17	
21	3200615	1	Rulleleje	
22	107120708	1	Skråskive 4	[12]
22	107120716	1	Skråskive 12	[13]
22	107120714	1	Skråskive 10	[14]
22	107120707	1	Skråskive 3	[15]
23	1802511	1	Seegerring U 28 X 1,5	
24	3200664	1	Nåleleje	
25	3200615	1	Rulleleje	
26	107120704	1	Lejeskive	
27	6301368	8	Stagbolt	
29	10028	1	Skruer	
30	301000782	1	Dæksel	
31	17106	1	Indsats	
32	20862	1	Møtrik	
33	301000781	1	Elkasse	
34	103004340	1	Pakning	
35	101117839	1	Terminal Plug And Termina L Pins	
37	1803089	4	SCREW INSEX M8X12	
38	1800317	4	Underlagsskive Encore 26/28/30	
39	107318091	4	VIBRATION DAMPER M8	
40	1802651	2	Taptite Skrue M10X25	
51	1119820	1	Rep. sæt olietætning 03	
52	1119570	1	Rep. sæt pakninger C3	

Part Notes:

- [1] - 7-58D / 170/1200D
7-58E / 170/1200E
7-58G / 170/1200G7-66D (DISC no. 12)TSB-PPW-2011-013 C3 Pump information
- [2] - 7-38E / 135/875E (DISC no. 3)
- [3] - 7-52GH / 150/1100GH(DISC no. 10)
- [4] - RF – has Nilfisk letter on the motor type plate
- [5] - EME with 2 holes EME – has EME letter on the motor type plate
- [6] - EME – has EME letter on the motor type plate

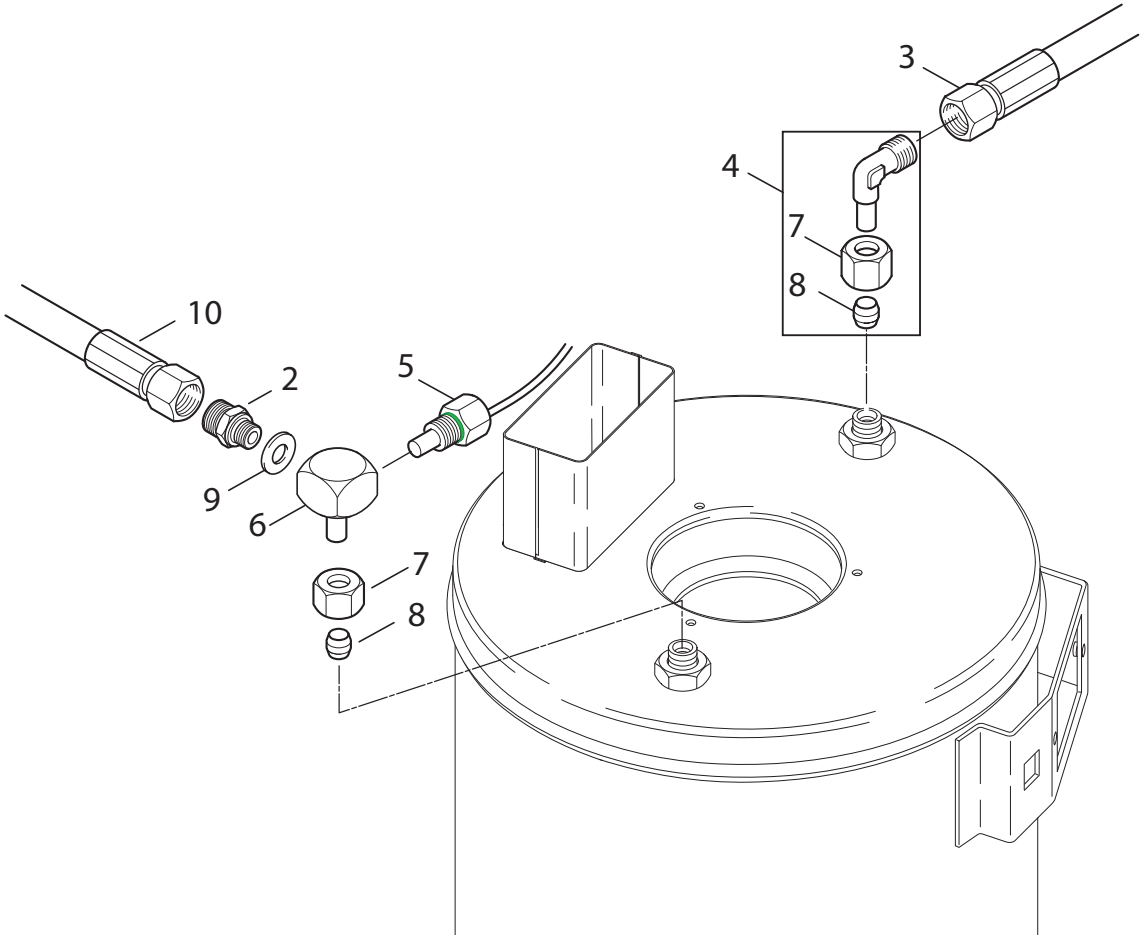
- [7] - Up to week 32 2009 (ATB)
- [8] - From week 32 2009 EME – has EME letter on the motor type plate
- [9] - STOCK COVERS GUARANTEE
- [10] - Up to week 32 2009 (ATB) - TSB-PPW-2011-013 C3 Pump informationTSB-PPW-2011-013 C3 Pump information
- [11] - From week 32 2009 RF – has Nilfisk letter on the motor type plateTSB-PPW-2011-013 C3 Pump information
- [12] - 5,5kW 440,220/3/60
- [13] - 6,5kW 400,230/3/50
- [14] - 5,5kW-1030 400,230/3/50
- [15] - 5,5kW-810 400,230/3/50



Pos.	Vare-nr	Antal	Beskrivelse	Notes
01	301000908	1	Kedelblæser Hus Komplet	
02	301000852	1	Dæsel For Kedelblæserhus	
03	32535	2	SCREW M5X16	
04	301000889	1	Kedelblæsehjul	
05	301000495	1	Kedelblæse Hus	
06	106408257	1	MOTOR BURNER - 0.23KW/230V/50HZ/1PH	
07	30180	3	HEADLESS SCREW M5X10 DIN 914 ST/ZN	
08	4697	2	SCREW M6X16	
09	12496	2	Møtrik M6	
23	107318128	1	CLOSED AIR INTAKE	[1]

Part Notes:

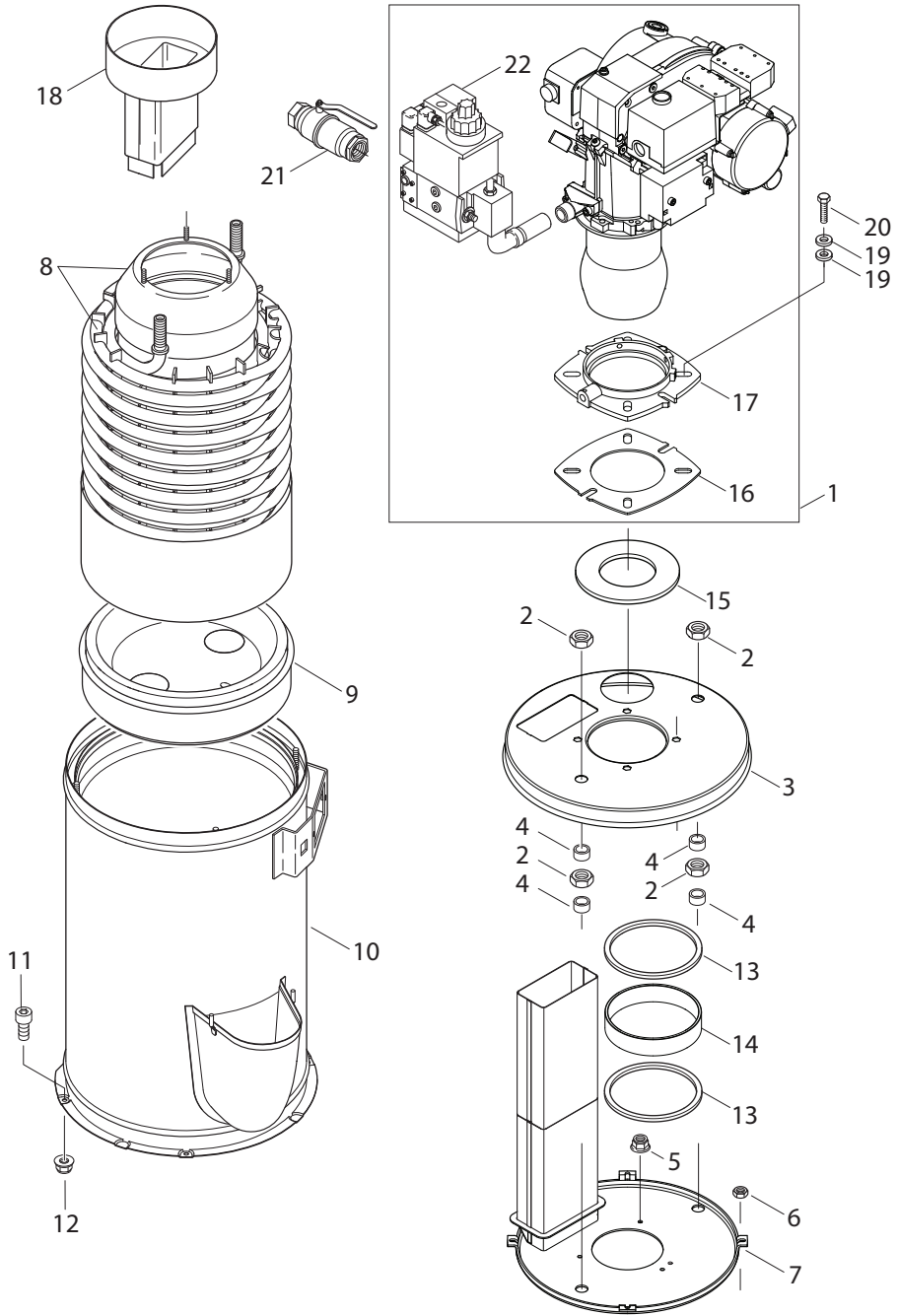
[1] - OPTION



Pos.	Vare-nr	Antal	Beskrivelse	Notes
2	3938	1	Forskruning	
3	107318088	1	HIGH PRESSURE HOSE DN8	
4	101118094	1	COUPLING KIT 90D ISO 8434 M18X1.5 THREAD	
5	6420251	1	Føler F.Temp.Reg.+Overk'.	
6	6200360	1	Spiralafgangsvinkel	
7	1081	1	Tilslutningsmøtrik, Galv.	
8	1080	1	Skærring, Galv.	[1]
9	1801075	1	Tætningsskive 3/8"	
10	107318116	1	HIGH PRESSURE HOSE 3/8	

Part Notes:

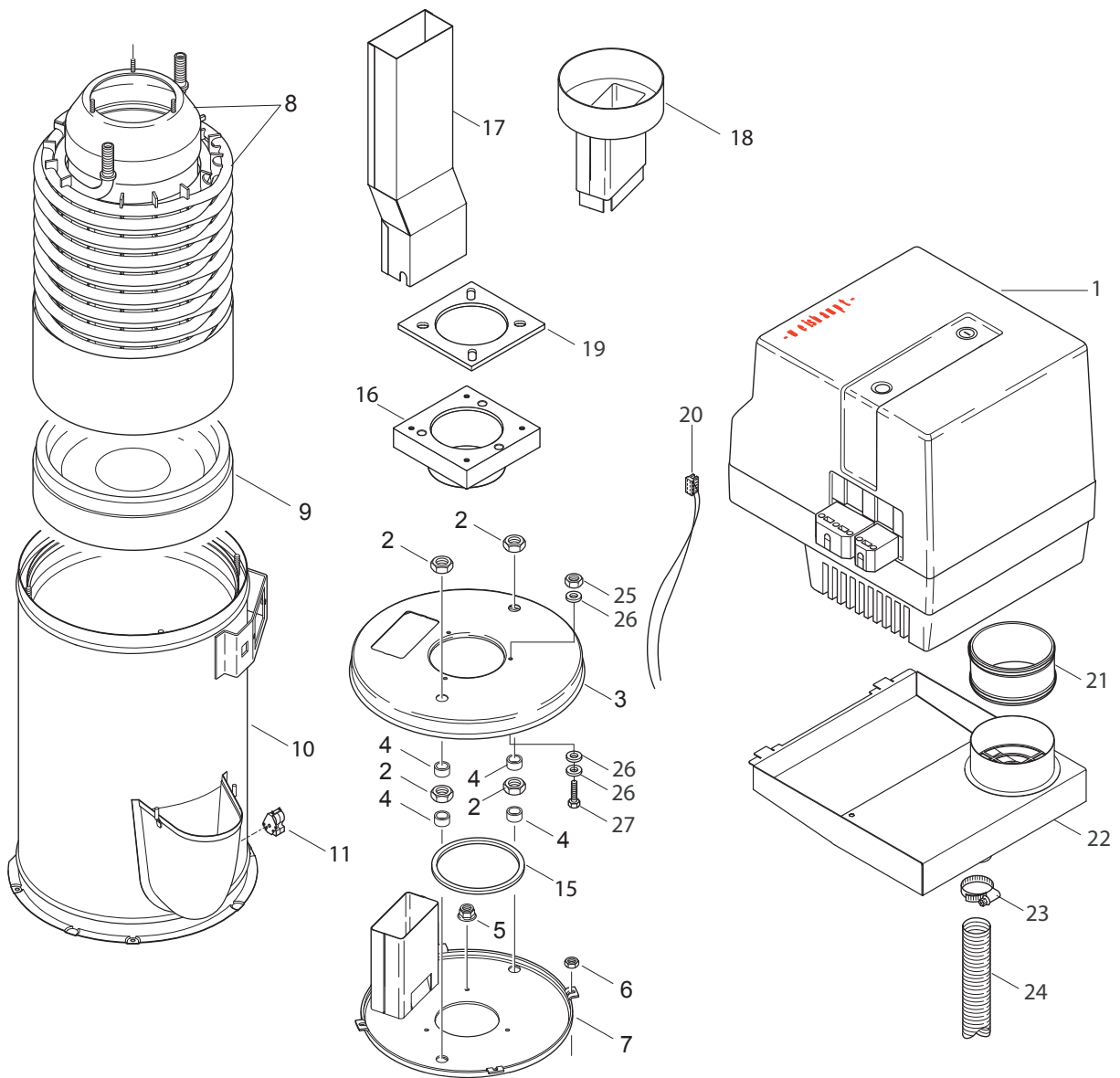
[1] - PLEASE CONTACT CARWASH DIRECTLY



Pos.	Vare-nr	Antal	Beskrivelse	Notes
1	107318249	1	BURNER BENTONE SOLAR BFG1	
2	7012	4	Møtrik	
3	107318121	1	BOILER COVER OUTER WITH POPNUTS	
4	301000582	4	BUSHING Ø22X1.5X24	
5	12496	3	Møtrik M6	
6	12263	4	HEXAGON NUT M6	
7	107318122	1	BOILER COVER INNER	
8	301001342	1	"Coil Stainless ""NEPTUNE 7+8""	
8	301001099	1	Spiral NEPTUNE 7	
8	107143301	1	COIL B5 SS, MH	
8	301001098	1	Spiral NEPTUNE 5	
9	107318250	1	INSULATION FOR BOILER N7	
10	301002153	1	BOILER JACKET COMPL. SOLAR BOOSTER 7 GAS	
11	3913	4	Skruer M6X12	
12	12496	4	Møtrik M6	
13	107318120	2	GASKET FOR BURNER	
14	107318125	1	PIPE DISTANCE	
15	107318119	1	GASKET FOR CHIMNEY	
16	107318126	1	GASKET	
17	107318124	1	FIXING FLANGE	
18	301001089	1	Skorstens-adapter Ø150	[1]
19	1800796	4	Skive M8	
20	1803345	4	Skruer M8X30	
21	103403280	1	SIKKERHEDSVENTIL GAS 3/4	[2]
22	107318248	1	MULTIBLOC COMPLETE WITH FITTINGS & DOCS	

Part Notes:

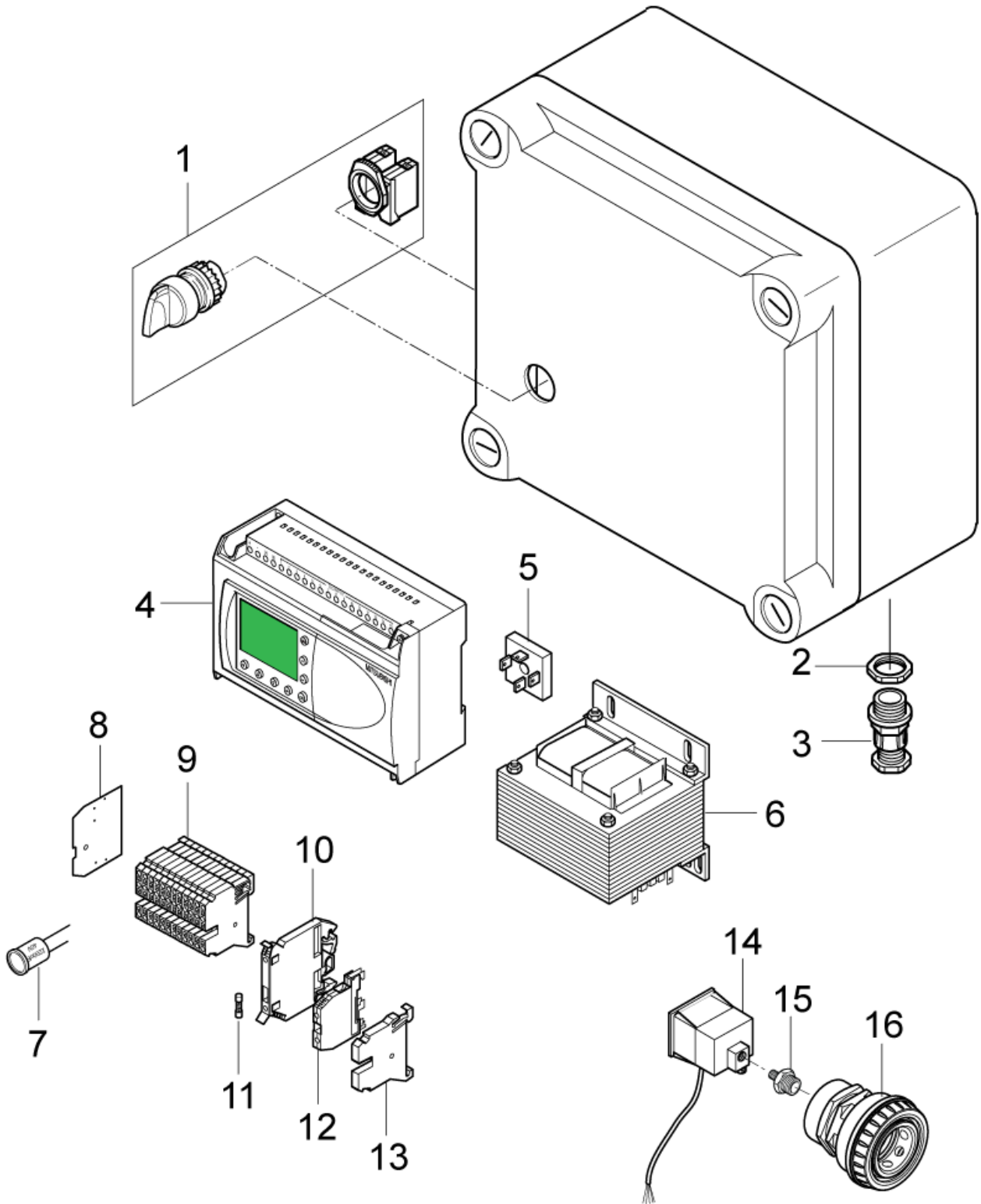
- [1] - OPTION
 [2] - OPTION
 ACCESSORY PRUNED



Pos.	Vare-nr	Antal	Beskrivelse	Notes
1	101406032	1	GAS BURNER WG10N/1D	[1]
2	7012	4	Møtrik	
3	301000534	1	Kedellæg Ydre	
4	301000582	4	BUSHING Ø22X1.5X24	
5	12496	3	Møtrik M6	
6	12263	4	HEXAGON NUT M6	
7	301001441	1	BRENNERDECKEL INNEN VORM.	[2]
8	301001099	1	Spiral NEPTUNE 7	
9	301000916	1	Isolation	
10	301000969	1	BOILER JACKET COMPLETE N7	
11	107307125	1	Luftkontakt Dw40	
15	107317019	1	GASKET	[2]
16	107317014	1	FLANGE FOR BOILER	[3]
17	107317018	1	CHIMNEY SOLAR BOOSTER G	
18	301001089	1	Skorstens-adapter Ø150	
19	103004369	1	GASKET FOR GAS BURNER SOLAR B.	[2]
20	107318013	1	PLUG F. RESET BURNER W. CABLE	
21	101609366	1	SLEEVE NPU100	[4]
22	107317023	1	SUCTION CHAMBER	[4]
23	1810225	2	Spændebånd 19-44, Rustfri	
24	5218743	1	HOSE FLEXIBLE 25	[2]
25	1804285	3	Låsemøtrik M5	
26	1813807	9	Skive M6XØ18 Rf	
27	1806389	3	HEX. SCREW M5X30 ISO 4017 ZN	[5]

Part Notes:

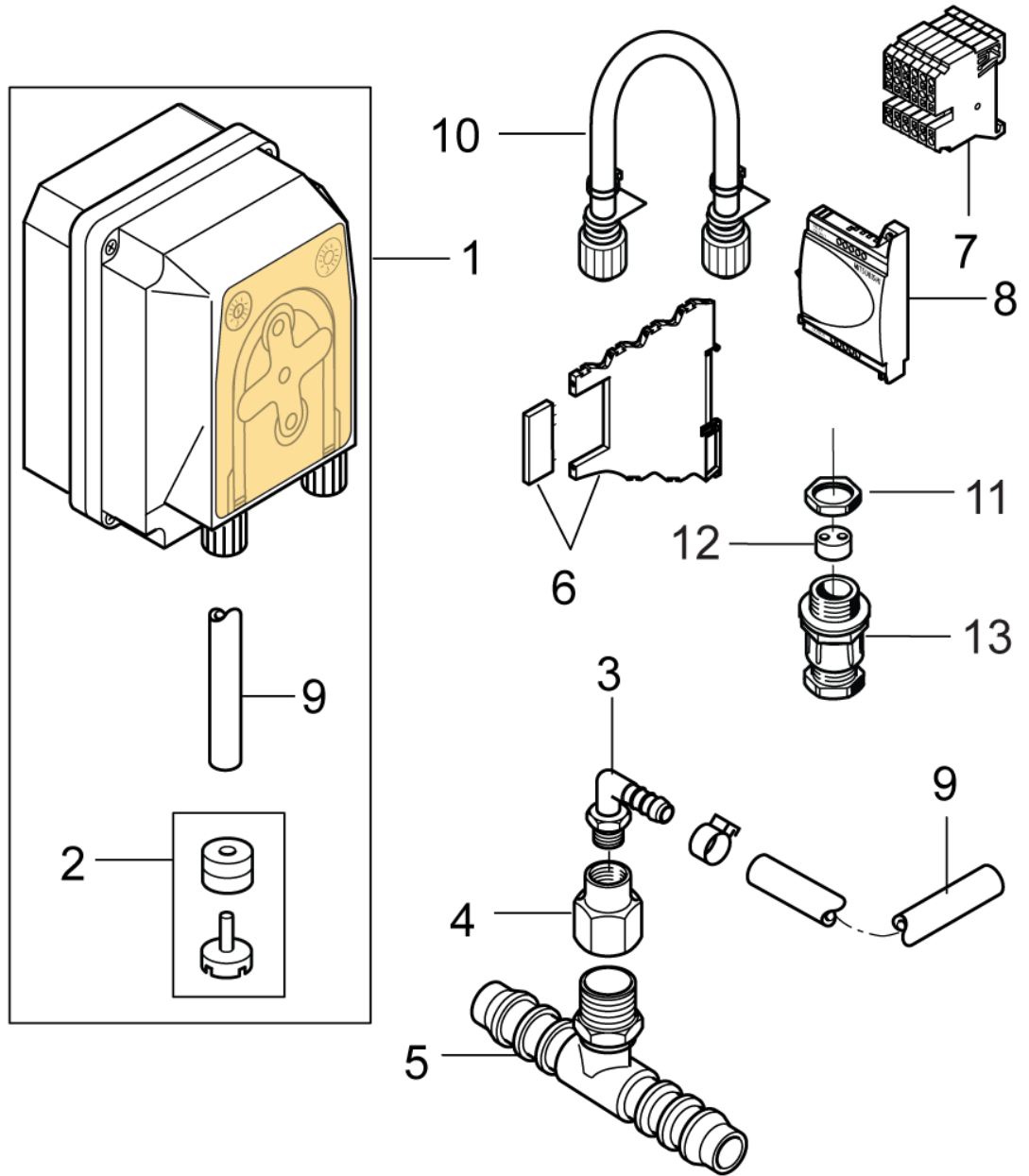
- [1] - ALTERNATIVE BUY 107318145
- [2] - STOCK COVERS GUARANTEE
- [3] - STOCK COVERS GUARANTEE PERIOD
- [4] - CLOSED WHEN STOCK EMPTY
- [5] - GUARANTEE DATE EXPIRED



Pos.	Vare-nr	Antal	Beskrivelse	Notes
00	107370964	1	Multiple Machine Option kit	
01	107318115	1	SWITCH WITH CONTACT	
02	103821789	5	NUT M12X1.5 PA	
03	103821788	5	CABLE BUSHING	
04	106426058	1	PLC M/ALTO-PROGRAM OPTION BOX	
05	22207	1	RECTIFIER	
06	103821844	1	CONTROL TRANSFORMER 230V 24/19	
07	29467	1	CAPACITOR 2200Ø F	
08	103821921	1	END PLATE	
09	103821920	12	WIRE TERMINAL	
10	4812281	1	FUSE HOLDER	
11	15846	1	Sikring 2,5A	[1]
12	107318117	2	EARTH TERMINAL	
13	103821922	1	DIN-END STOP WO/SCREW WAGO 249-116	
14	107306160	1	Pressostat Coded For 3Ph	
15	107318118	1	Fitting	
16	106402075	1	Ergo højtrykskobling DN10 3/8" hun	

Part Notes:

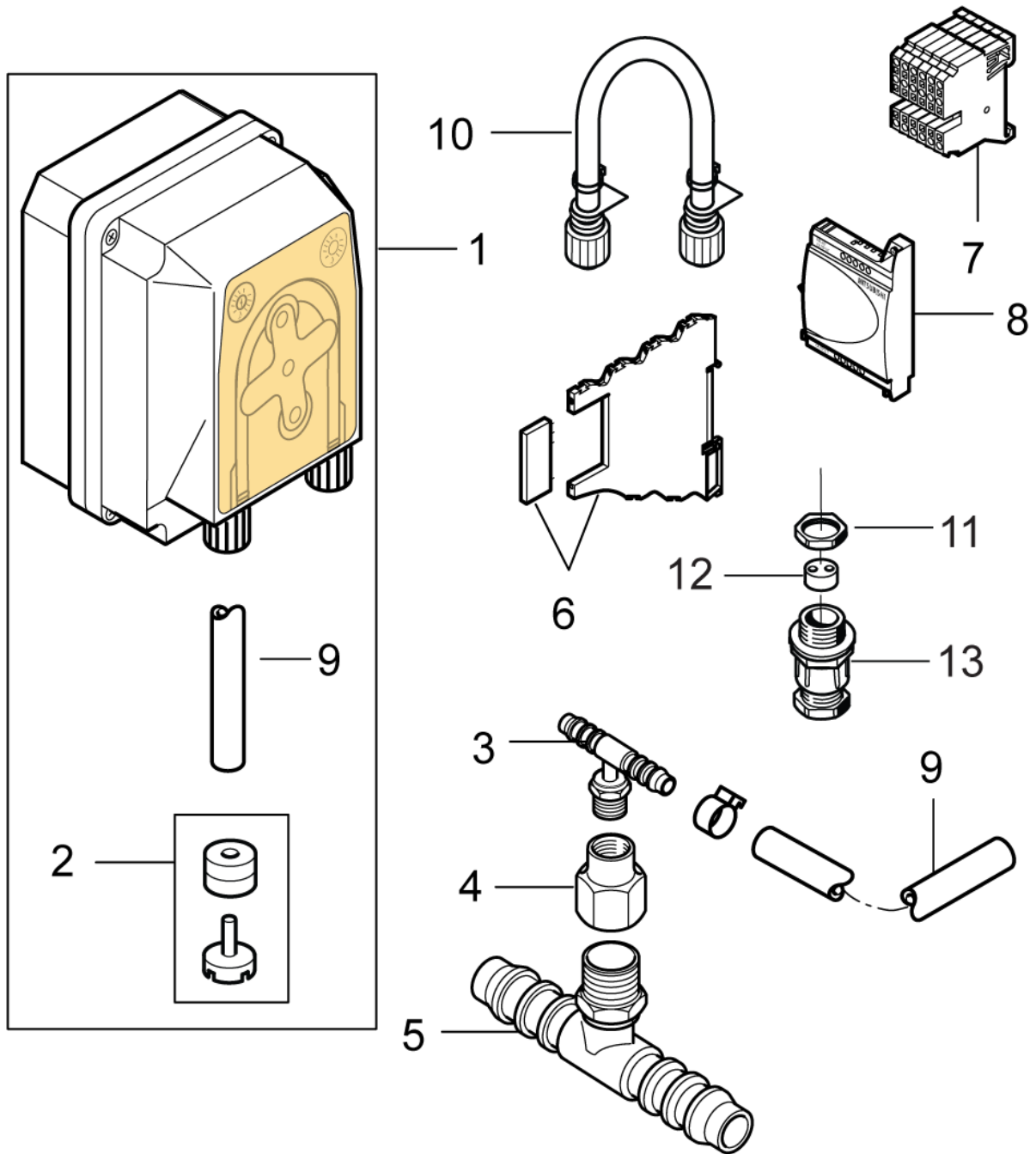
[1] - PLEASE CONTACT CARWASH DIRECTLY



Pos.	Vare-nr	Antal	Beskrivelse	Notes
00	107370952	1	1 x rengøringsmiddel elektronisk	
01	103822206	1	Kemipumpe Max 18 L/Time	
02	31000101	1	FILTER AND LOCK FOR CHEMICAL PUMP	
03	107318136	1	Hose Tail Elbow 4 x 1/4	
04	107318134	1	Reduction 1/2 x 1/4	
05	107318155	1	T-HOSE CONNECTION D19X1/2XD19 BLUE PE	[1]
05	107318137	1	T Connection 1/4 x 1/2	
06	103821828	1	Relæ	
07	103821920	6	WIRE TERMINAL	
08	103821948	1	EXPANDER AL2-4EYR	
09	107318062	1	HOSE SILICONE 6/ 4X5M	
10	103822265	1	Slange F Kemipumpe	
11	103821778	1	NUT M20X1.5	
12	103821946	1	INSERT 3X6.5	
13	103821785	1	CABLE BUSHING	

Part Notes:

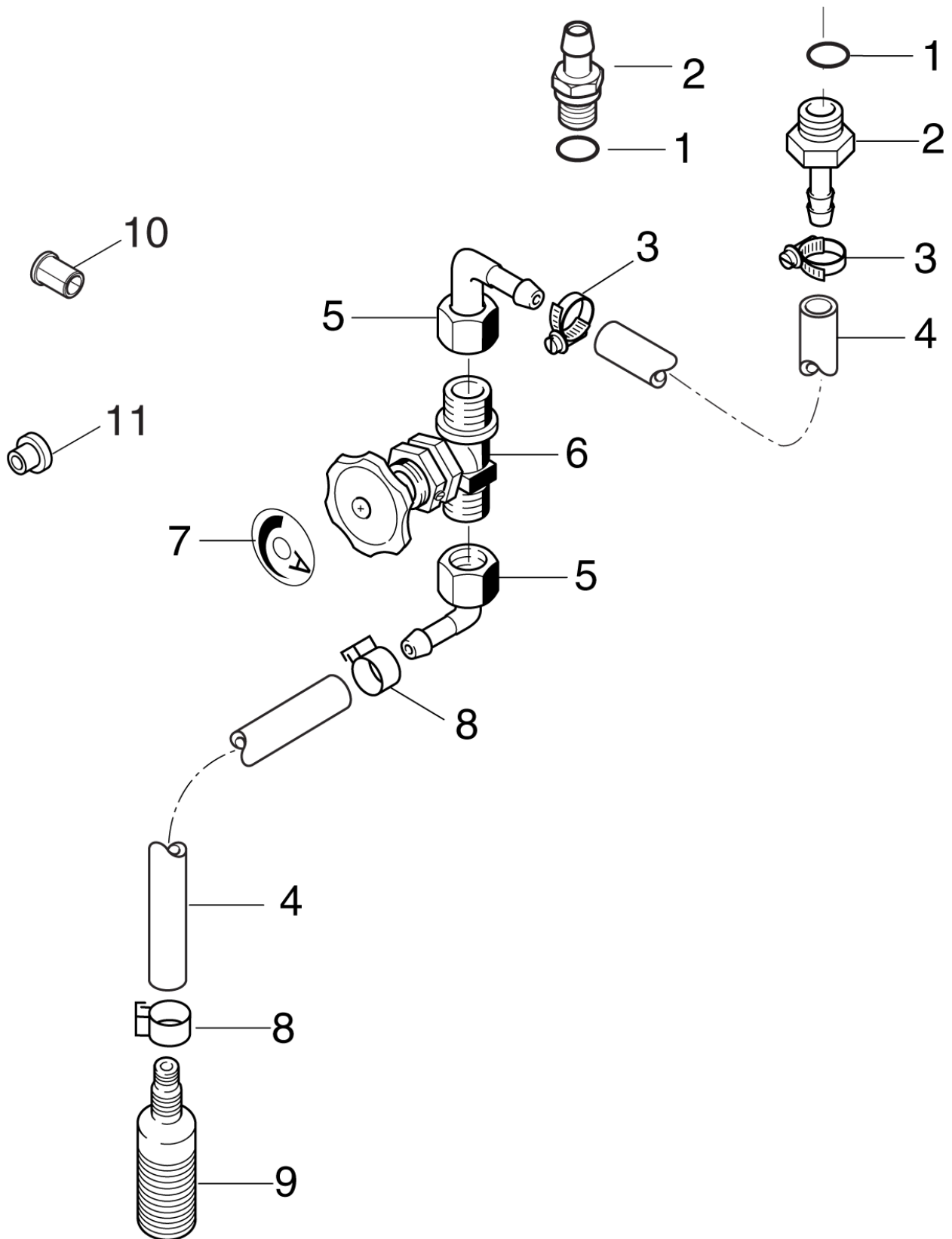
[1] - Only on NP8 pumps



Pos.	Vare-nr	Antal	Beskrivelse	Notes
00	107370953	1	2 x rengøringsmiddel elektronisk	
01	103822206	1	Kemipumpe Max 18 L/Time	
02	31000101	1	FILTER AND LOCK FOR CHEMICAL PUMP	
03	107318138	1	T CONNECTION 4X1/4	
04	107318134	1	Reduction 1/2 x 1/4	
05	107318155	1	T-HOSE CONNECTION D19X1/2XD19 BLUE PE	[1]
05	107318137	1	T Connection 1/4 x 1/2	
06	103821828	1	Relæ	
07	103821920	6	WIRE TERMINAL	
08	103821948	1	EXPANDER AL2-4EYR	
09	107318062	1	HOSE SILICONE 6/ 4X5M	
10	103822265	1	Slange F Kemipumpe	
11	103821778	1	NUT M20X1.5	
12	103821946	1	INSERT 3X6.5	
13	103821785	1	CABLE BUSHING	

Part Notes:

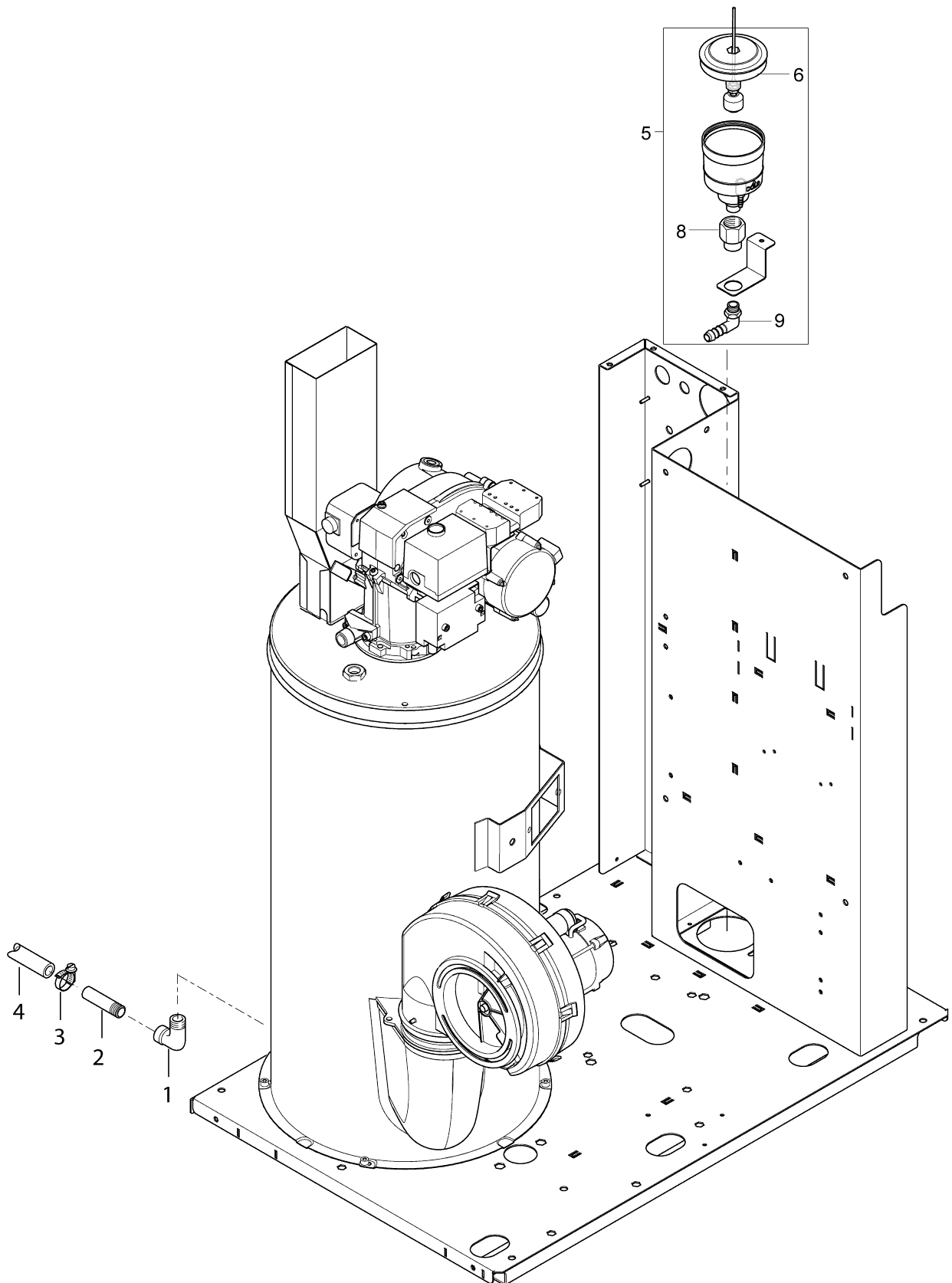
[1] - Only on NP8 pumps



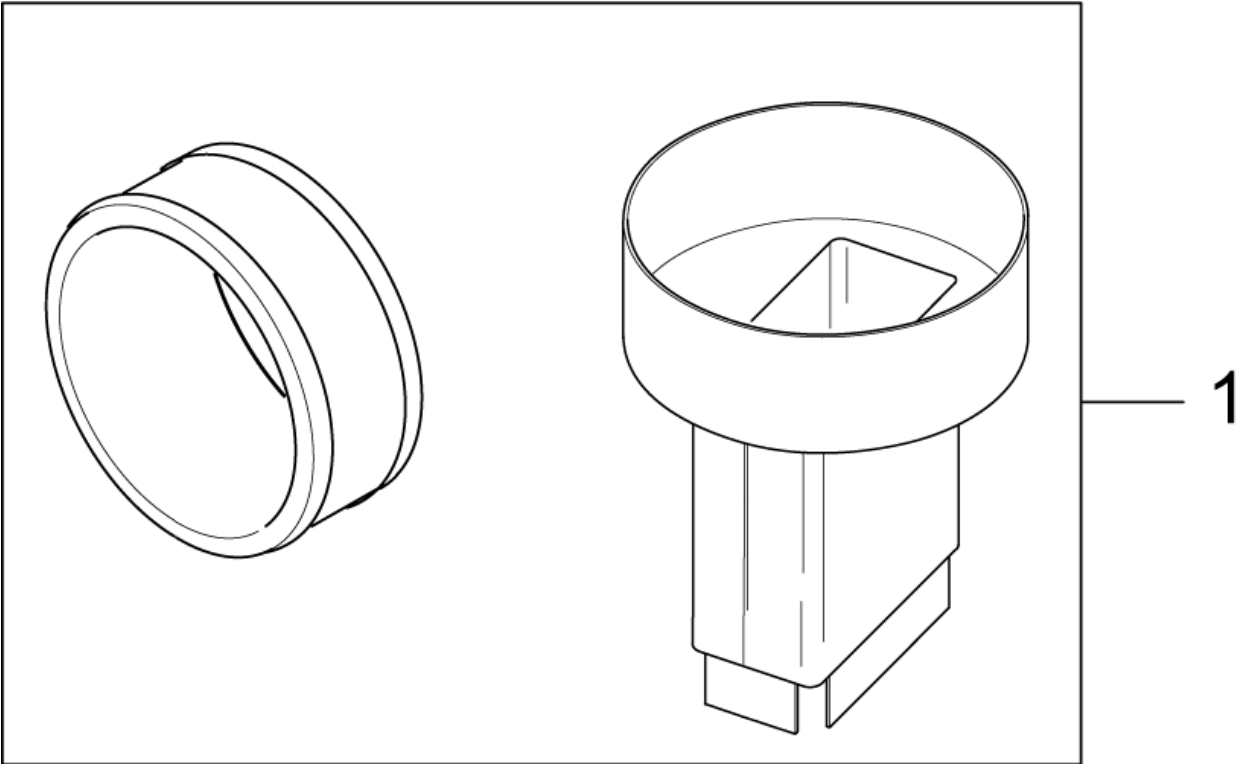
Pos.	Vare-nr	Antal	Beskrivelse	Notes
0-	107340903	1	Manual til rengøringsmiddel	
01	3001740	1	O-Ring 7,66X1,78 Nitril	
02	1609300	1	Slangestuds	[1]
02	1608512	1	"Muffe 1/4""	[2]
03	1807593	2	Spændebånd 6-16MM A2	
04	4973	1	HOSE Ø6X3	
05	101609346	1	Hose Socket, Elbow	
06	103403268	1	Needle Valve	
07	12117	1	Tap Sticker	
08	1810084	2	Spændebånd Ø10,8/12,3	
09	107145440	1	Strainer Valve Compl. Kit	
10	107302159	1	Reduktion	[3]
11	301000187	1	Blænde	[4]
11	301001103	1	Blænde	[5]

Part Notes:

- [1] - C3
- [2] - UNO , DUO
- [3] - UNO, DUO
- [4] - C3 - 5,5kW
STOCK COVERS GUARANTEE
- [5] - C3 - 6,5 kW
NO LONGER AVAILABLE



Pos.	Vare-nr	Antal	Beskrivelse	Notes
01	107318133	1	ELBOW 1/4 SS	
02	107317038	1	DRAIN PIPE	
03	1805100	2	Spændebånd 8-20 Mm	
04	5206065	1	"Trykluftslange 1/2" "	
05	107318176	1	REP. KIT FOR DRAIN CAN	
06	301000616	1	Level Indicator, Pump Oil	
08	107318134	1	Reduction 1/2 x 1/4	
09	107318135	1	HOSE TAIL ELBOW 12X1/4	

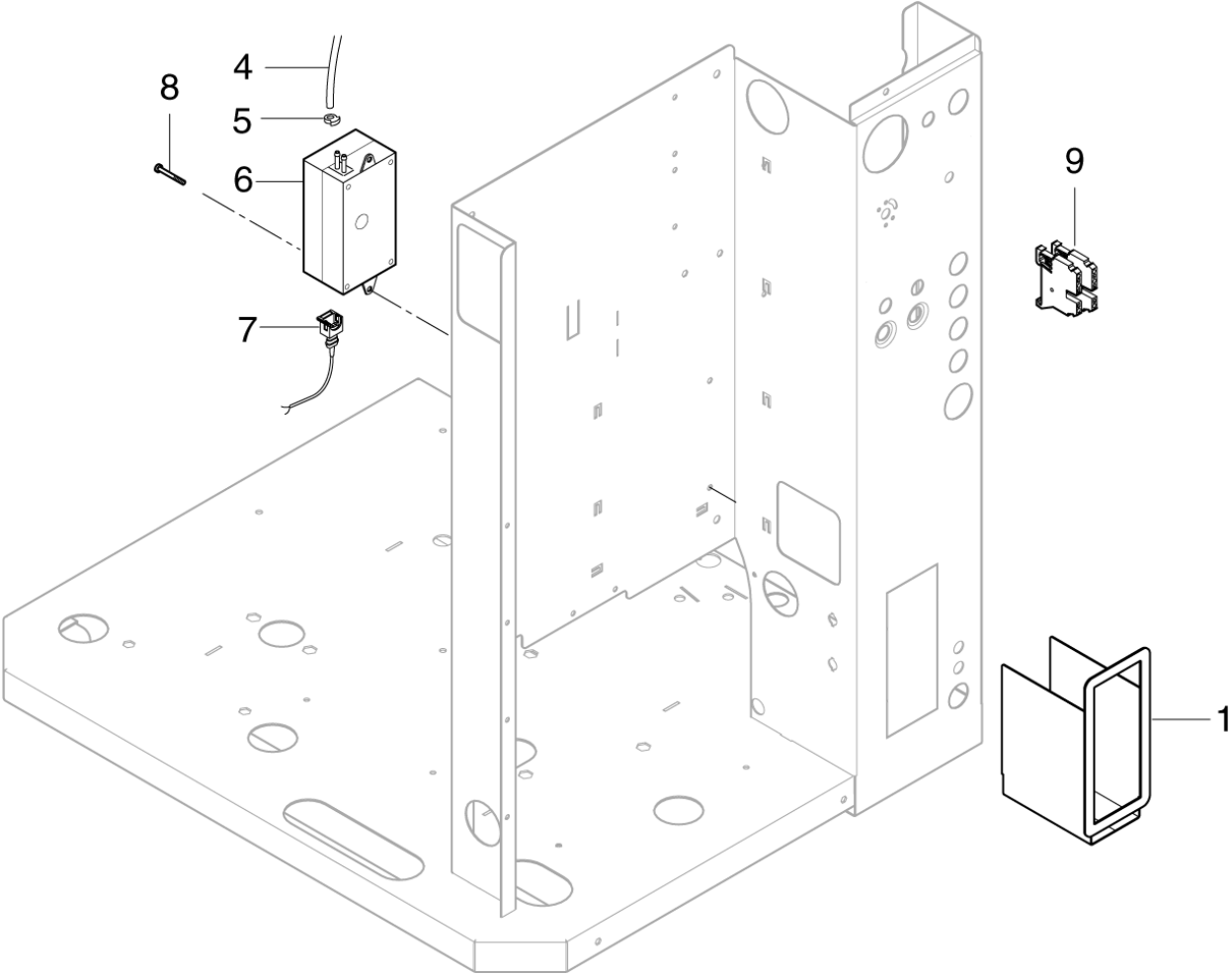


Pos.	Vare-nr	Antal	Beskrivelse	Notes
01	107370965	1	Lukket luft-indtag til gas-modeller	

Pos.	Vare-nr	Antal	Beskrivelse	Notes
0A	64314	1	Reparationskit ventilstempel	[1]
0A	6100941	1	Filter	[1]
0A	301001195	1	Rep. Sæt Omløbsventil	[1]
0A	1119570	1	Rep. sæt pakninger C3	[1]
0A	101119850	1	Rep.Sæt Trykring/Back-Up	[1]
0A	1119820	1	Rep. sæt olietætning 03	[1]
0A	1119571	1	Rep. sæt (pakningssæt, reduceret)	[1]
0A	301001068	1	Oliedyse	[1]
0A	101117926	1	Filter	[1]
0A	3812385	1	Sikring Ø5X20	[1]
0A	63056	1	Rep.Sæt Omløbsventil	[1]
0B	103822265	1	Slange F Kemipumpe	[2]
0C	106420051	1	Circuit Board	[3]
0C	3600301	1	Manometer	[3]
0C	3200656	1	Nåleleje Ina K 40X46X17	[3]
0C	103822306	1	Contactactor Cjx2-D18-B7 24V	[3]
0C	6367	1	Rulleleje	[3]
0C	103822327	1	Relæ 12-18 Amp	[3]
0C	103821905	1	SAFETY DEVICE 2 POL 6A	[3]
0C	107141978	1	MOTOR 6.7 KW 220-400/440/3 50/60HZ - EU	[3]
0C	107120716	1	Skråskive 12	[3]
0C	64440	1	DIODE 6A80 6A 800V	[3]
0C	107310070	1	MOTOR 6.5KW 400-415.230/3/50	[3]
0C	103821828	1	Relæ	[3]
0C	301000911	1	Sikkerhedsventil	[3]
0C	3200615	1	Rulleleje	[3]
0C	301000731	1	Mikrokontakt	[3]
0C	107141979	1	MOTOR 5.5 KW 220/230/400/440/3/50/60 EU	[3]
0C	6101750	1	D-Lejedæksel Komp. 03	[3]
0C	103822313	1	Contactactor 12-25A 50/60Hz 24V	[3]
0C	3200664	1	Nåleleje	[3]
0C	101406030	1	High Pressure Hose	[3]
0C	103821847	1	CONTROL TRANSFORMER 230V 24/19	[3]
0C	301002458	1	Reed Contact	[3]
0C	103822328	1	Thermal Relay 17-25Amp	[3]
0C	6100602	1	Spændering	[3]
0C	107140615	1	Front Bearing Cover Compl Ete	[3]
0C	107120704	1	Lejeskive	[3]
0C	6301166	1	Trykstempel keramik C3	[3]
0C	1802511	1	Seegerring U 28 X 1,5	[3]

Part Notes:

- [1] - A
- [2] - B
- [3] - C



OPTION No-scale

SOLAR BOOSTER 7-58 / SH SOLAR 170/1200 G

2015.05.19

2013.04.02

Pos.	Vare-nr	Antal	Beskrivelse	Notes
0-	107370958	1	No Scale kit	
01	107318104	1	BRACKET FOR NO-SCALE	
04	5226147	1	HOSE PVC 4/7.2	
05	1814151	1	HOSE CLIP	
06	3821492	1	KS-PUMP ST 15 24V	
07	4812338	1	WIRE FOR FLOW SWITCH 1200MM	
08	1800606	2	Maskinskrue M4X10	
09	103821920	2	WIRE TERMINAL	

