

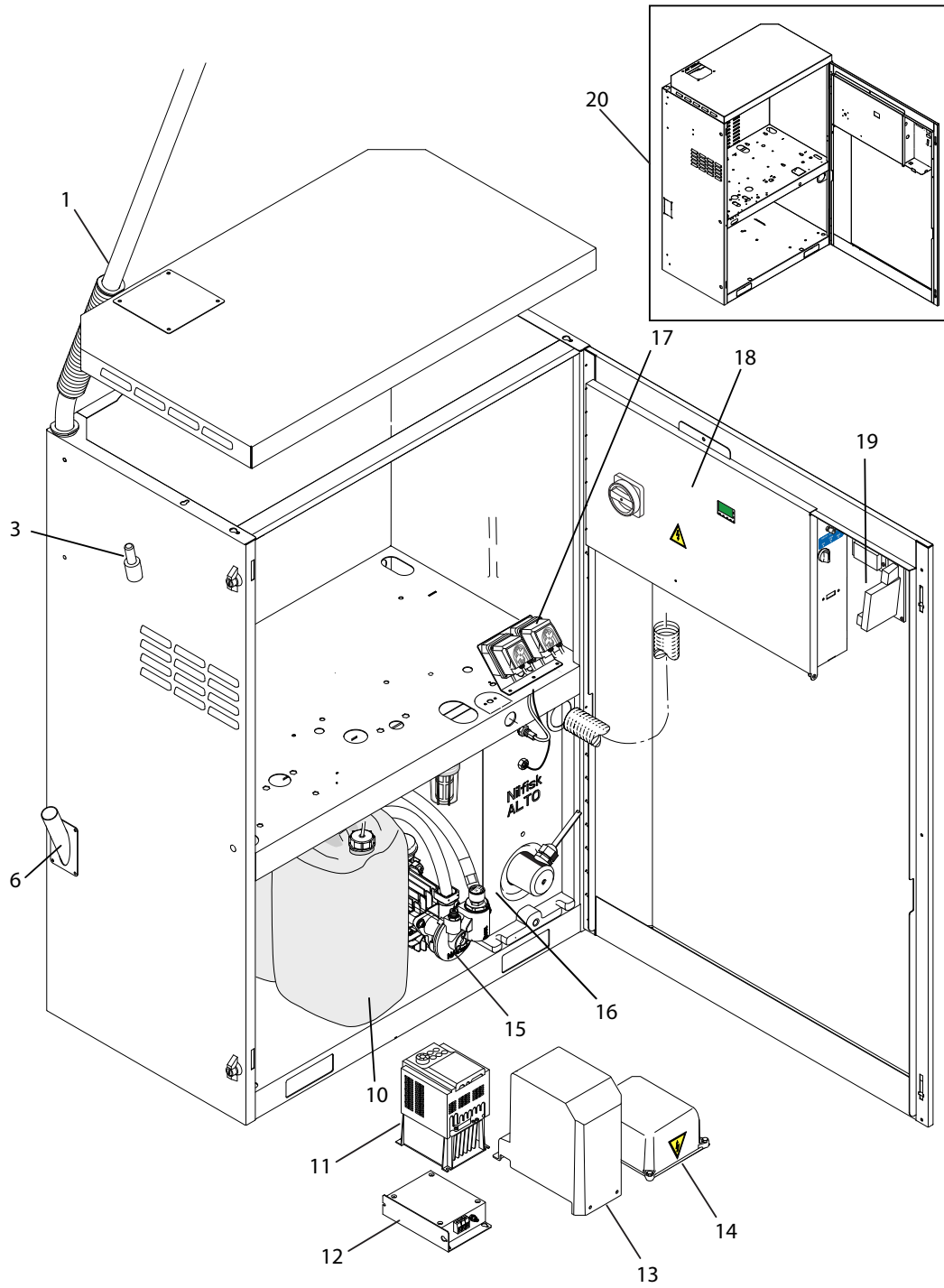
PARTS LIST



2017.06.06

TABLE OF CONTENTS

| | |
|---|----|
| Overview1 E | 1 |
| Overview 2 | 3 |
| Chemical pumps E | 5 |
| Door with coin acceptor | 7 |
| Electric box E | 9 |
| Electrical components E | 11 |
| Motor pump | 13 |
| Cylinder block | 15 |
| 101118238 - NA5.2 Pump kit | 17 |
| 106403193 - Auto Booster brush 2013 | 19 |
| Water inlet_ easystart | 21 |
| Water flow regulation E | 23 |
| Heating tank E | 25 |
| Wash boom | 27 |
| Recommended spare parts | 29 |
| Water softening equipment | 31 |
| OPTION outlet handle | 33 |
| 107370968_Coin counter | 35 |



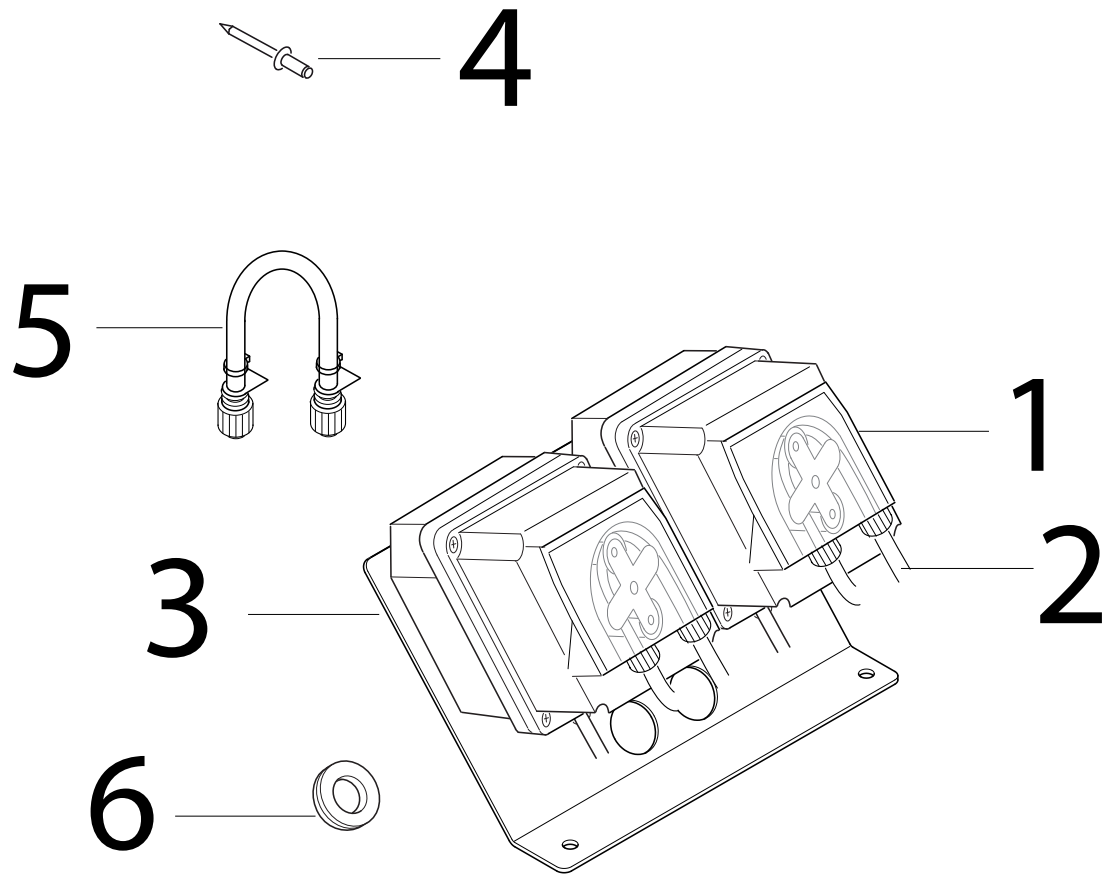
| Pos. | Vare-nr | Antal | Beskrivelse | Notes |
|------|-----------|-------|--|-------|
| 1 | | 1 | Wash boom | [1] |
| 3 | 107313069 | 1 | BRUSH HOLDER. MACHINED | |
| 6 | 107313067 | 1 | LANCE CARRIER. WELDED | |
| 7 | 301001276 | 1 | Plug | |
| 10 | 2005718 | 1 | Dunk 25/27Ltr | |
| 11 | 107318256 | 1 | INVERTER FR-D740-080-EC 5HZ W. PROGRAM | [2] |
| 11 | 107318242 | 1 | INVERTER FR-D740-080-EC WITH PROGRAM | |
| 12 | 107318239 | 1 | EMC FILTER FOR INVERTER | |
| 13 | 107318240 | 1 | COVER FOR FREQUENCY INVERTER | |
| 14 | | 1 | EI-box | [3] |
| 15 | | 1 | Motor pump unit | [4] |
| 16 | | 1 | Heating tank | [5] |
| 17 | | 2 | Chemical pumps | [6] |
| 18 | | 1 | Electrical parts | [7] |
| 19 | | 1 | Door with coin acceptor | [8] |
| 20 | 107318247 | 1 | CABINET COMPLETE AUTO/TRUCK B. | |

Part Notes:

- [1] - Go to Wash boom
- [2] - The first Auto Booster with the venting valve is:
Item no.: 107370882
Serial No.: 3520161500118
- [3] - See EI-box E
- [4] - See Motor pump, Cylinder head, Water inlet_ easystart, Water flow regulation E
- [5] - See Heating tank E
- [6] - See Chemical pumps E
- [7] - See Electric parts E
- [8] - See Door with coin acceptor

| Pos. | Vare-nr | Antal | Beskrivelse | Notes |
|------|-----------|-------|----------------------------------|-------|
| 1 | 107318029 | 1 | Isolation. Complete. Aut O/Truck | |
| 2 | 5218754 | 1 | Rubber Profil D 12X10 Bla Ck | |
| 4 | 107313231 | 1 | CABINET TOP | |
| 9 | 5226305 | 1 | FLEXIBLE HOSE 76/ 60 GREY | |
| 12 | 103004331 | 1 | SLEEVE PVC 45/ 60 | |
| 14 | 101814750 | 1 | Lås Og Nøgle | |
| 17 | 107316095 | 1 | Varmeblæser | |
| 19 | 4814109 | 3 | SCREW 8X16 STAINLESS STEEL | |
| 30 | 107313217 | 1 | HOOK-LOCK | |

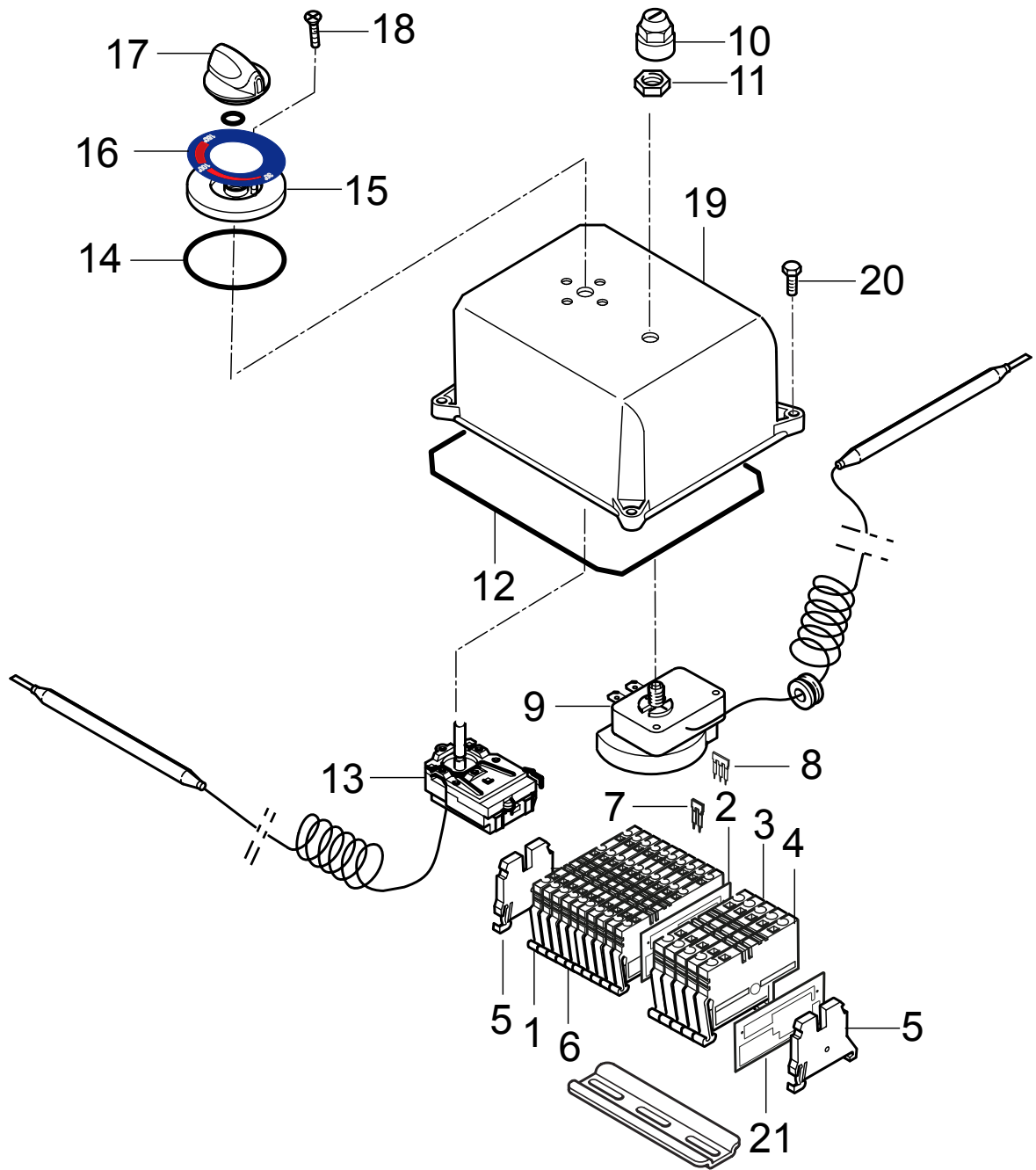
AUTO BOOSTER E



| Pos. | Vare-nr | Antal | Beskrivelse | Notes |
|------|-----------|-------|------------------------------|-------|
| 1 | 103822213 | 2 | Kemi pumpe | |
| 2 | 107318062 | 1 | HOSE SILICONE 6/ 4X5M | |
| 3 | 107313288 | 1 | Beslag For Kemipumpe | |
| 4 | 1814128 | 11 | Bifurcated Rivet 4X10.3 1453 | |
| 5 | 103822265 | 1 | Slange F Kemipumpe | |
| 6 | 3001427 | 2 | Kabelgennemføring | |

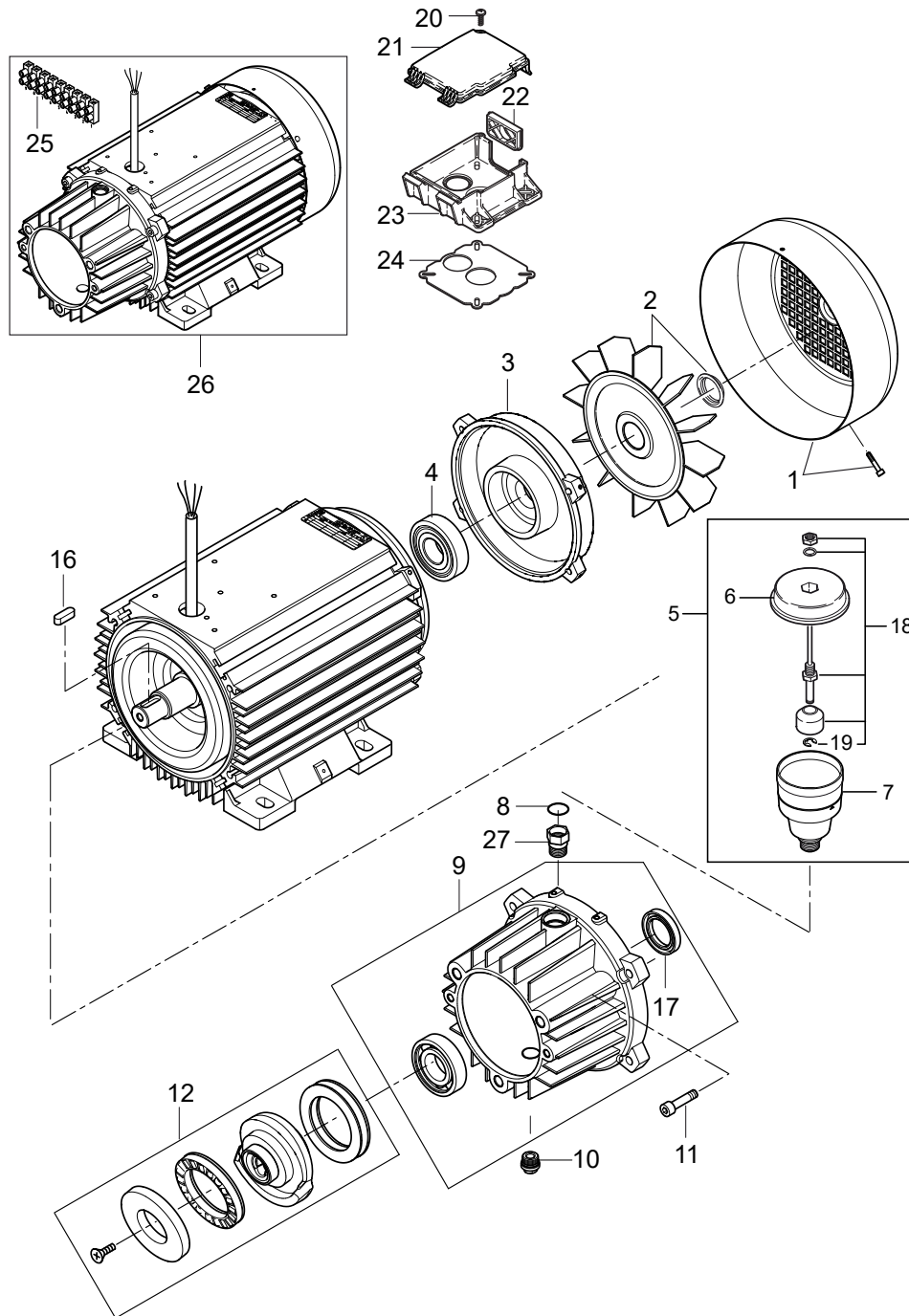
| Pos. | Vare-nr | Antal | Beskrivelse | Notes |
|------|-----------|-------|---|-------|
| 1 | 107318183 | 1 | FRONTLABEL AND COIN ON/OFF/FREE 2 IN 1 | |
| 2 | 107318184 | 1 | CABLE FOR COIN SYSTEM K826/400 MM | |
| 3 | 107318185 | 1 | COIN ACCEPTOR UNIVERSAL EMP 800.07 V6 | |
| 4 | 5218754 | 1 | Rubber Profil D 12X10 Bla Ck | |
| 5 | 107318186 | 1 | DISPLAY D801.00 | |
| 6 | 107318187 | 1 | START SWITCH/LIGHT BLOCK NO CONTACT | |
| 7 | 107318188 | 1 | GREEN START PUSH BUTTON | |
| 8 | 103822028 | 1 | COVER FOR COIN ACCEPTOR | |
| 9 | 107319145 | 1 | LABEL KIT FOR COIN UNIT | |
| 10 | 33421 | 1 | Møntbox | |
| 11 | 909100206 | 1 | Drejeknap | |
| 13 | 107318234 | 1 | SWITCH 6 POL WITH 0-10VDC/ANALOG SIGNAL | |

AUTO BOOSTER E



| Pos. | Vare-nr | Antal | Beskrivelse | Notes |
|------|-----------|-------|--|-------|
| 1 | 107318189 | 1 | TERM.BLOCK PE PUSH IN P-SER.PPE2.5/4/3AN | |
| 2 | 107318190 | 1 | END PLATE PAP 2.5/4/3AN | |
| 3 | 107318191 | 1 | TERM.BLOCK PUSH IN P-SER.PDU 6/10 | |
| 4 | 107318192 | 1 | TERM.BLOCK PE PUSH IN P-SER.PPE6/10 | |
| 5 | 107318193 | 2 | END BRACKET FOR DIN-RAIL | |
| 6 | 107318194 | 1 | TERM.BLOCK PUSH IN P-SER.PDU 2.5/4/3AN | |
| 7 | 107318195 | 1 | CROSS CONNECTOR 2.5/2-POL | |
| 8 | 107318196 | 1 | CROSS CONNECTOR 2.5/3-POL | |
| 9 | 103822046 | 1 | Sikkerh.Termostat 97/1750 | |
| 10 | 34970 | 1 | CAP | |
| 11 | 47313 | 1 | NUT M10X1X3 | |
| 12 | 101406054 | 1 | Sponge Rubber Ø4 L 1M | |
| 13 | 107318151 | 1 | THERMOSTAT 20-60 | |
| 13 | 107318152 | 1 | THERMOSTAT 20-53GR | |
| 14 | 3001443 | 1 | O-RING 60.0X2.62 NITRIL 70SH | |
| 15 | 107313045 | 1 | Sokkel For Drejeknap (Ter Mo) | |
| 16 | 107319139 | 1 | Label | |
| 17 | 909100204 | 1 | Drejeknap | |
| 18 | 1804822 | 4 | SCREW TAPTITE M4X16 | |
| 19 | 107316093 | 1 | EL-BOX. MACHINED. AUTO E12 | |
| 20 | 1801612 | 4 | Maskinskrue M4X6 | |
| 21 | 107318238 | 1 | END PLATE PAP 6/10 | |

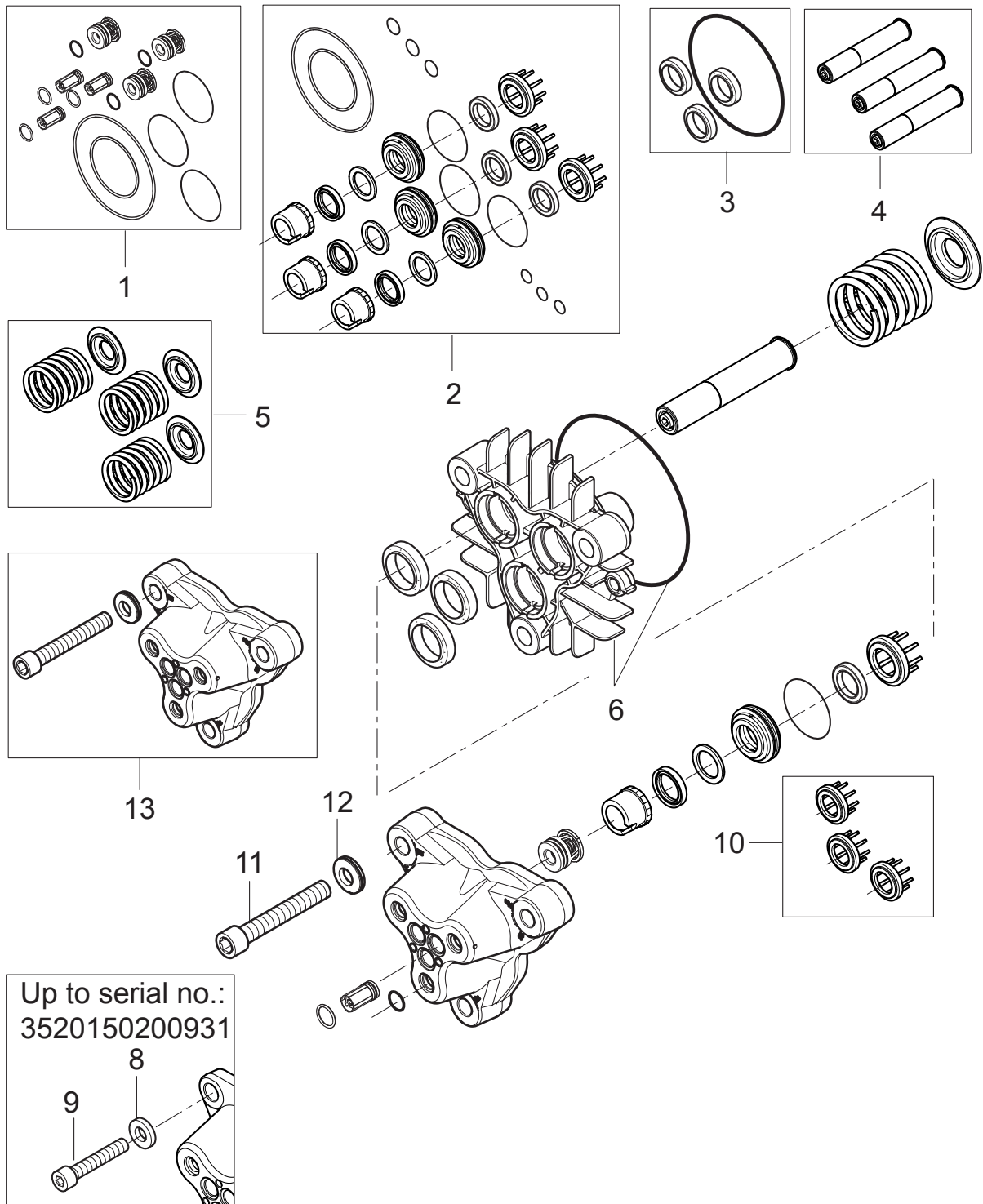
| Pos. | Vare-nr | Antal | Beskrivelse | Notes |
|------|-----------|-------|--|-------|
| 1 | 3830121 | 1 | Greb for hovedafbryder | |
| 2 | 103821908 | 1 | MAIN SWITCH 63A | |
| 3 | 103821960 | 1 | HANDLEBAR FOR MAIN SWITCH 25 A | |
| 4 | 103821907 | 2 | SHAFT FOR MAIN SWITCH 194L-G2853 | |
| 5 | 103822011 | 1 | Safety device AEG C10 1P-N | |
| 6 | 107318212 | 1 | OVERCURRENT RELAY 3-POL 20A 10KA | |
| 7 | 107318213 | 1 | CONTACTOR 100-C16EJ01 | |
| 8 | 107319168 | 1 | LABEL F. SAFETY THERMOSTAT HOT | |
| 9 | 107319169 | 1 | LABEL F.SAFETY THERMOSTAT COLD | |
| 10 | 103822056 | 2 | Termostat -35- +35 Termostat -3- +35 | |
| 11 | 107318217 | 1 | POWERSUPPLY 100-264VAC/24VDC 3A | |
| 12 | 107318214 | 1 | PLC W/program AUTO BOOSTER E(BARRACUDA) | |
| 13 | 107318220 | 1 | POWERSUPPLY FOR COIN N 820.06/24VDC | |
| 14 | 107318235 | 1 | RUBBER PLUG 25 BLACK | |
| 15 | 107318221 | 1 | POTENTIONMETER MOUNTED | |
| 16 | 103822074 | 1 | CONTACT ELEMENT 1NO & 1NC | |
| 17 | 107318222 | 1 | PUSH-ON KNOB 11MM/6MMD/WH | |
| 18 | 103822073 | 1 | ROTARY SWITCH 3 POSITION SHORT KNOB | |
| 19 | 107318193 | 1 | END BRACKET FOR DIN-RAIL | |
| 20 | 107318190 | 1 | END PLATE PAP 2.5/4/3AN | |
| 21 | 103822304 | 1 | Contacto Cjx2-D18-P7 230 V | |
| 22 | 107318225 | 1 | AUXILIARY CONTACT 194E-A-PD10 | |
| 23 | 107318194 | 1 | TERM.BLOCK PUSH IN P-SER.PDU 2.5/4/3AN | |
| 24 | 107318227 | 1 | TEST TERMINAL PUSH-IN P-SER. PTR 2.5/4 | |
| 25 | 107318228 | 1 | COMPONENT PLUG W/RESISTANCE 24K MOUNTED | |
| 26 | 107318189 | 1 | TERM.BLOCK PE PUSH IN P-SER.PPE2.5/4/3AN | |
| 28 | 107318195 | 1 | CROSS CONNECTOR 2.5/2-POL | |
| 29 | 107318196 | 1 | CROSS CONNECTOR 2.5/3-POL | |
| 31 | 107318234 | 1 | SWITCH 6 POL WITH 0-10VDC/ANALOG SIGNAL | |
| 33 | 107318191 | 2 | TERM.BLOCK PUSH IN P-SER.PDU 6/10 | |
| 35 | 107318238 | 1 | END PLATE PAP 6/10 | |



| Pos. | Vare-nr | Antal | Beskrivelse | Notes |
|------|-----------|-------|--|-------|
| 0 | 200060 | 1 | Olie | [1] |
| 1 | 107144126 | 1 | FAN COVER RF | [2] |
| 1 | 107144127 | 1 | FAN COVER - EME | [3] |
| 2 | 107144124 | 1 | Vifte med låsering | [4] |
| 2 | 107144125 | 1 | FAN W LOCK RING RF | [2] |
| 3 | 31000148 | 1 | Rear Bearing Cover Rf | [2] |
| 3 | 31000150 | 1 | REAR BEARING COVER EME | [4] |
| 4 | 31000149 | 1 | Leje, Rf | [2] |
| 4 | 31000151 | 1 | REAR BEARING EME | [4] |
| 5 | 301000616 | 1 | Level Indicator, Pump Oil | |
| 6 | 301000615 | 1 | Dæksel | |
| 7 | 301000614 | 1 | Oliebeholder | |
| 8 | 56554 | 1 | O-ring | |
| 9 | 107141967 | 1 | D-BEARING COVER COMPLETE NA5.2 | [5] |
| 10 | 107141982 | 1 | OIL PLUG W/O-RING AND MAGNET NA5.2 | |
| 11 | 107144142 | 1 | Screw Kit Pump Na5 | |
| 12 | 101118247 | 1 | WOBBLE DISC 8.7 DEG. BEARING KIT NA5.2 | [5] |
| 16 | 19639 | 1 | Fjede A | |
| 17 | G120414 | 1 | Olietætningsring 30X47X10 | |
| 18 | 301001196 | 1 | Float Switch | |
| 19 | 107142593 | 1 | HOLDING WASHER PE | [6] |
| 20 | 10028 | 1 | Skruer | |
| 21 | 301000782 | 1 | Dæksel | |
| 22 | 17106 | 1 | Indsats | |
| 23 | 301000781 | 1 | Elkasse | |
| 24 | 301000845 | 1 | GASKET FOR ELECTRIC BOX 100.50X114X1MM N | |
| 25 | 101117839 | 1 | Terminal Plug And Terminal Pins | |
| 26 | 107141980 | 1 | MOTOR 4KW 230/400/220/440 3/50/60 NA5.2 | |
| 27 | 107318154 | 1 | FITTING FOR OIL CUP | |

Part Notes:

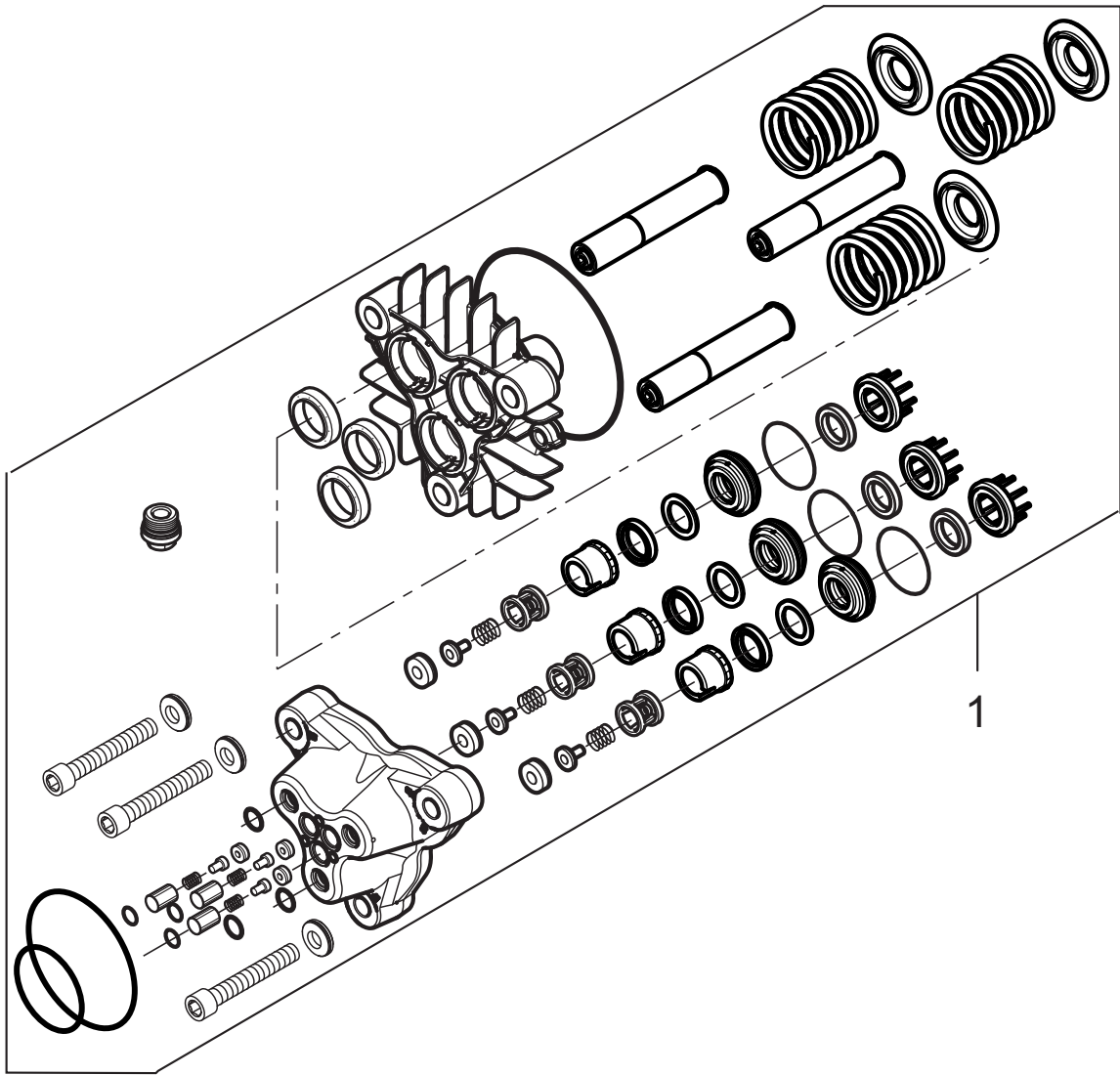
- [1] - 0,45 L - OIL TYPES_QUANTITY for HPW_APRIL 2017
- [2] - RF – has Nilfisk letter on the motor type plate
- [3] - STOCK COVERS GUARANTEE
EME – has EME letter on the motor type plate
- [4] - EME – has EME letter on the motor type plate
- [5] - TSB-PPW-2015-002 NA5.2 Pump Information
- [6] - TSB-PPW-2016-017 Locking ring for oil level switch falling off



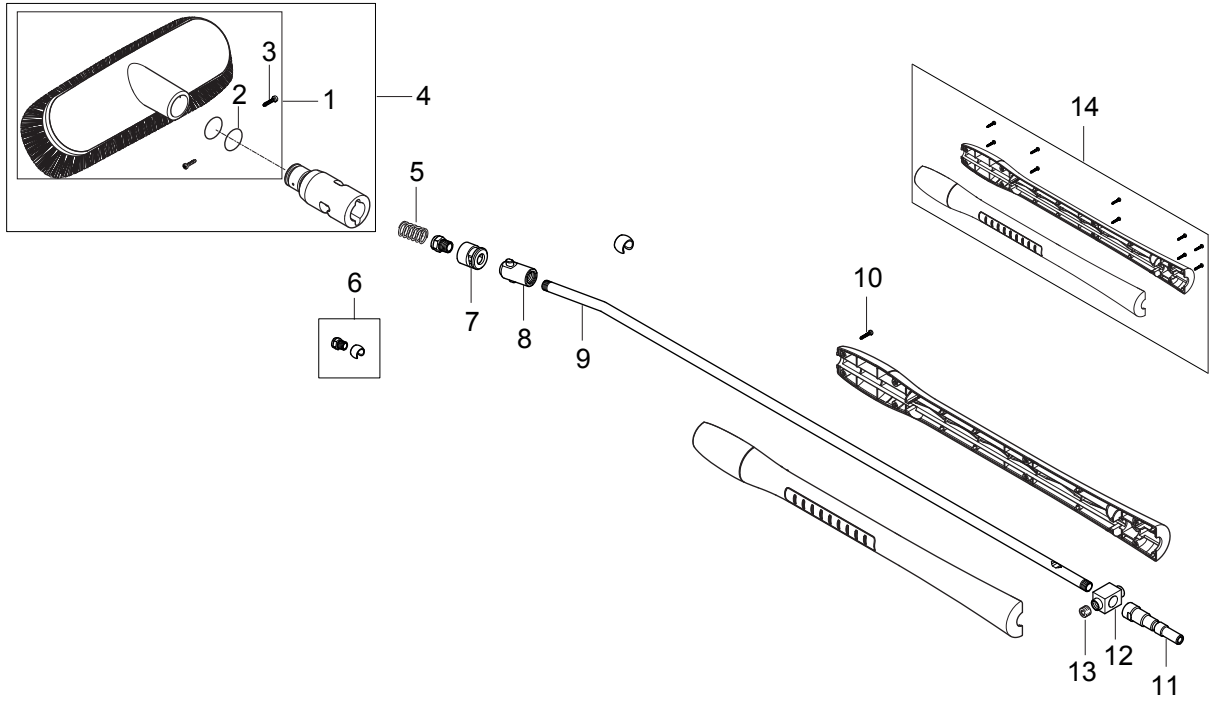
| Pos. | Vare-nr | Antal | Beskrivelse | Notes |
|------|-----------|-------|--|-------|
| 1 | 107144100 | 1 | Ventil Kit Na5 | |
| 2 | 101118097 | 1 | WATER SEAL KIT W. NEW SUPPORT RING - NA5 | |
| 3 | 107144102 | 1 | Oliemanchet Kit - Na5 | |
| 4 | 101118239 | 1 | PISTON KIT - NA5.2 | |
| 5 | 107144104 | 1 | Fjeder Kit - Na5 | |
| 6 | 107141983 | 1 | CYLINDER BLOCK W/O-RING NA5.2 | [1] |
| 8 | 107141727 | 3 | WASHER D13 SPARE PART | [1] |
| 9 | 107141513 | 3 | CYLINDRICAL SCREW M12X65 12.9 DELTASIL | [1] |
| 10 | 107140919 | 1 | SUPPORT RING NA5 SPARE | |
| 11 | 107141969 | 3 | WASHER NLX12SP ?12.5X?19.5X3.5MM | [1] |
| 12 | 107141968 | 3 | CYL.SCREW M12X80 WITH NORDLOCK WASHER | [1] |
| 13 | 107141985 | 1 | CYLINDER HEAD NA5.2 W. SCREWS WASHERS | [1] |

Part Notes:

[1] - TSB-PPW-2015-002 NA5.2 Pump Information



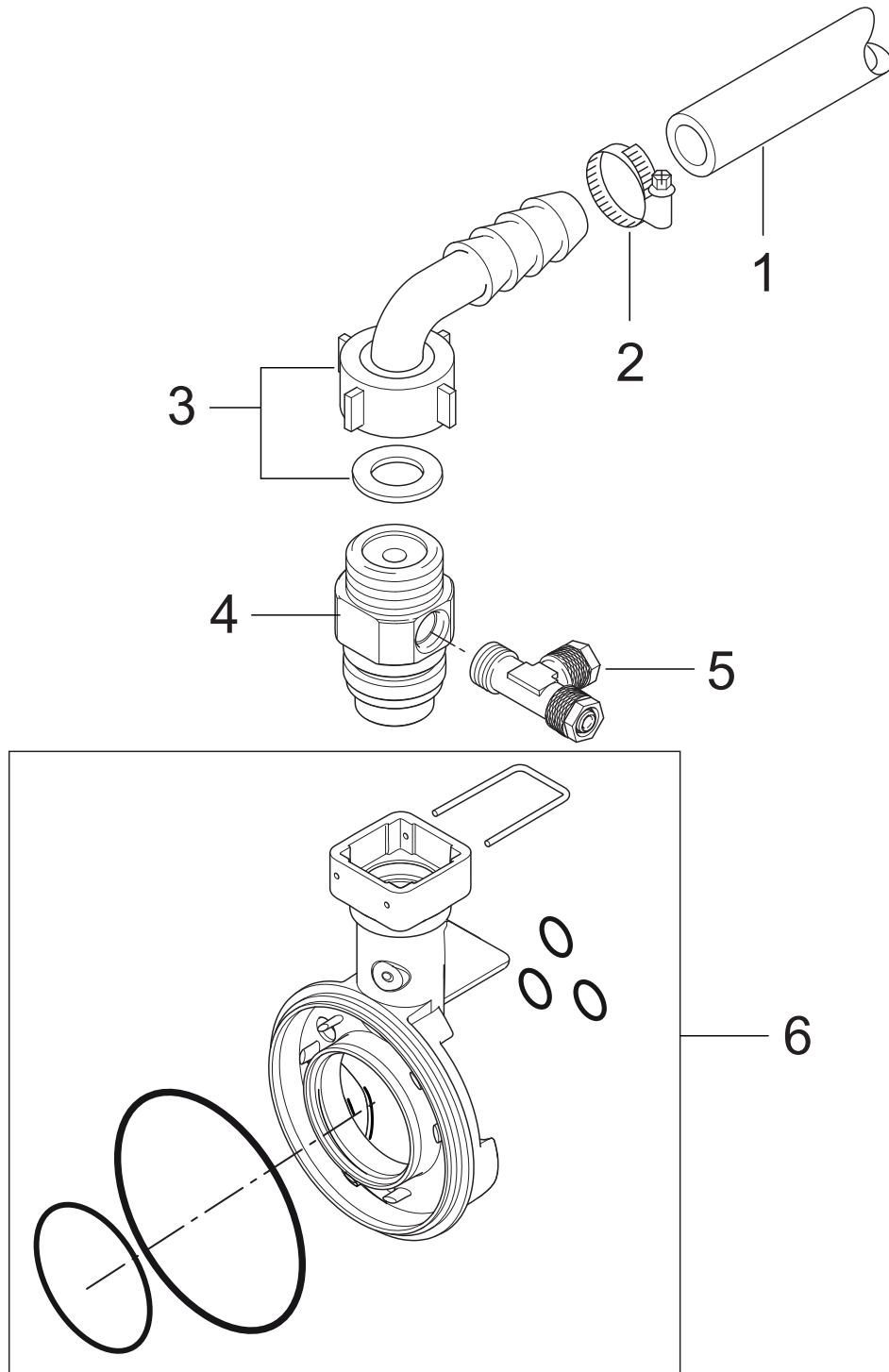
| Pos. | Vare-nr | Antal | Beskrivelse | Notes |
|-------------|----------------|--------------|--------------------|--------------|
| 1 | 101118238 | 1 | PUMP KIT - NA5.2 | |



| Pos. | Vare-nr | Antal | Beskrivelse | Notes |
|------|-----------|-------|--|-------|
| 0 | 106403193 | 1 | BRUSH/LANCE W/0450 NOZZLE | |
| 1 | 106402763 | 1 | BRUSH W/HOLES | |
| 2 | 3000320 | 2 | O-ring 20 x 3 Nitril | |
| 3 | 1814532 | 2 | PT-Screw K30X10 WN1452 Zinc-nickel black | |
| 4 | 106402762 | 1 | BRUSH F. AUTO BOOSTER W/ADAPTOR | |
| 5 | 102602527 | 1 | Spring | |
| 6 | 101119737 | 1 | Tornado Plus dyse 1/8" 0370 Bronze | |
| 6 | 101119740 | 1 | Tornado Plus dyse 1/8" 0450 Lys blå | |
| 6 | 101119744 | 1 | Tornado Plus dyse 1/8" 0600 Metalblå | |
| 7 | 18430 | 1 | Dyse-beskyttelseskappe | [1] |
| 8 | 106402572 | 1 | ADAPTER FOR ERGO 3000 BRUSH | |
| 9 | 106408080 | 1 | Højtryksrør, Bukket L=102 | |
| 10 | 1814585 | 10 | Pt-Skrue K30X12 | |
| 11 | 1609325 | 1 | KEW stiknippel 1/4" | |
| 12 | 106402438 | 1 | FITTING BRASS | |
| 13 | 106402439 | 1 | SET SCREW FOR FITTING | |
| 14 | 106403114 | 1 | SHELL FOR SINGLE LANCE KIT - GREY | |

Part Notes:

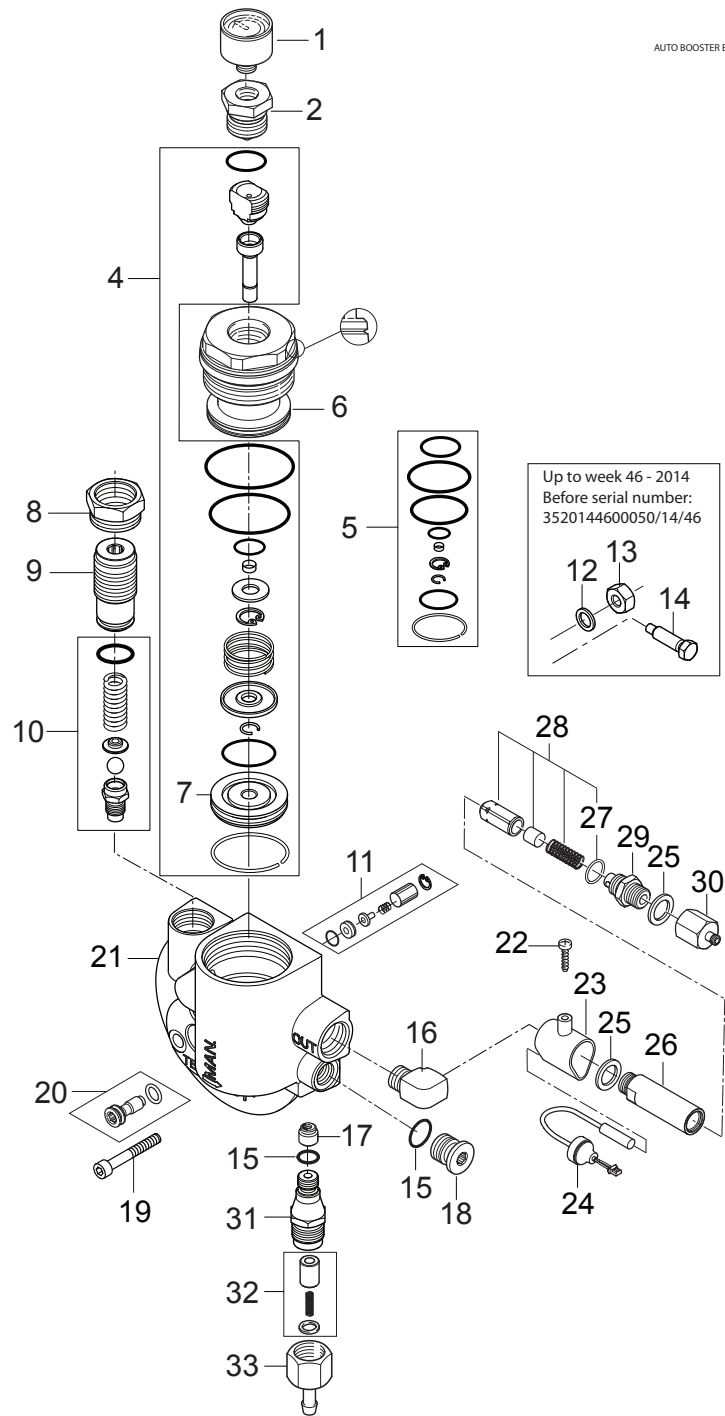
[1] - PLEASE CONTACT CARWASH DIRECTLY



| Pos. | Vare-nr | Antal | Beskrivelse | Notes |
|------|-----------|-------|----------------------------------|-------|
| 1 | 31000569 | 1 | SUCTION HOSE D22x295 NR/SBR SH65 | |
| 2 | 9262 | 1 | HOSE CLIP 12-20 | [1] |
| 3 | 5613 | 1 | Slangestuds | |
| 4 | 107318257 | 1 | SUCTION WATER LIMITER MS | |
| 5 | 107318241 | 1 | FITTING D6XD4XG1/8 BRASS | |
| 6 | 101117929 | 1 | Water Inlet NEPTUNE | [2] |

Part Notes:

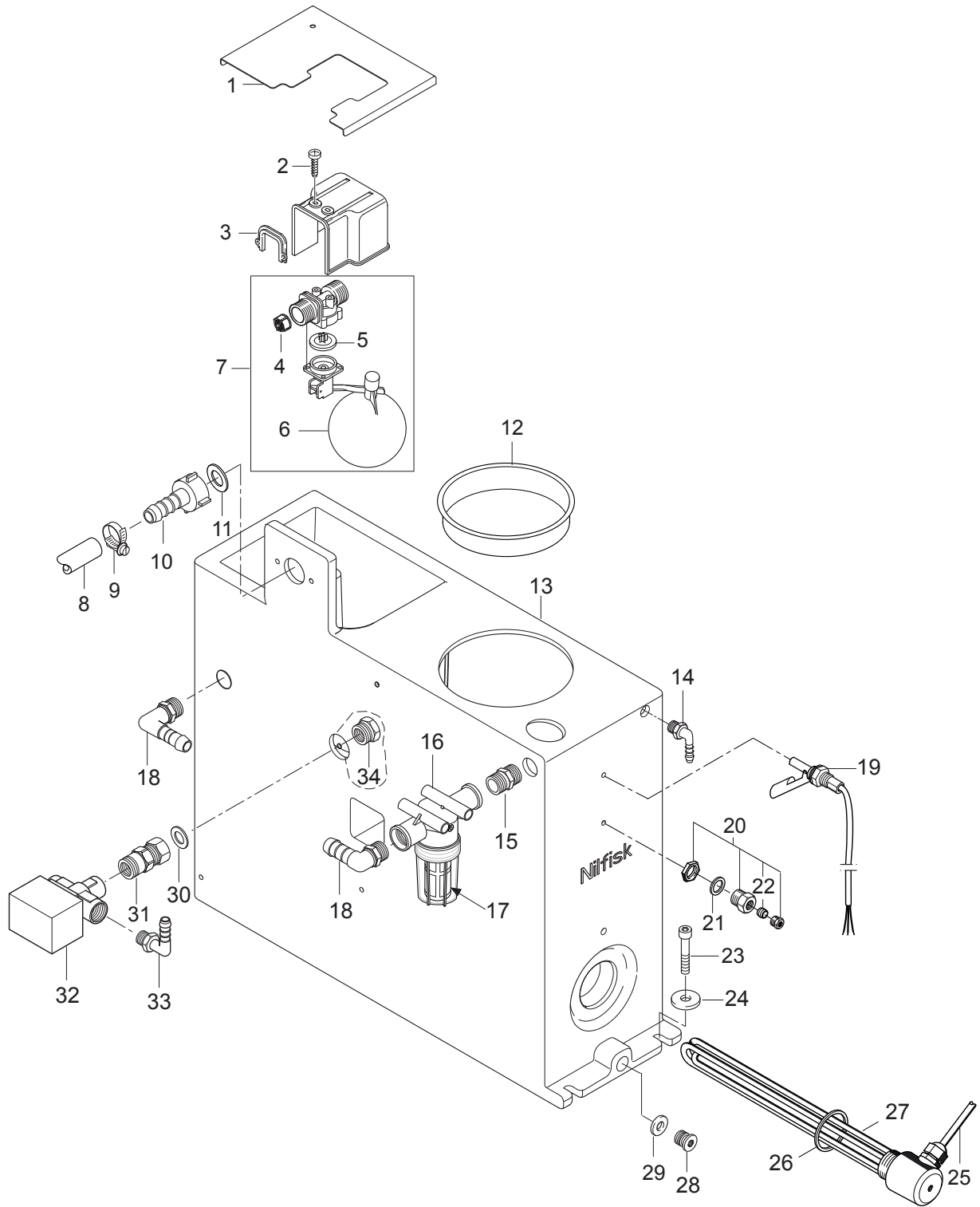
- [1] - PLEASE CONTACT CARWASH DIRECTLY
- [2] - TSB-PPW-2015-003 Water Inlet, 101117929 and 107144109 for NA5 pumps does not fit on NA5.2 pump



| Pos. | Vare-nr | Antal | Beskrivelse | Notes |
|------|-----------|-------|---------------------------------|-------|
| 1 | 301000246 | 1 | Manometer POSEIDON 5 | |
| 2 | 107318197 | 1 | PLUG FOR BY-PASS | |
| 4 | 1118546 | 1 | Rep.Sæt F. Omløbsventil | |
| 5 | 101117884 | 1 | Sealing Kit For Regulator | |
| 6 | 107318198 | 1 | BOTTOM SCREW W/ D1.7 | |
| 7 | 107141735 | 1 | PISTON FOR BY-PASS | |
| 8 | 6100928 | 1 | Kontramøtrik | |
| 9 | 6100940 | 1 | Justerskrue | |
| 10 | 1118512 | 1 | Rep. sæt sikkerhedsventil | |
| 11 | 101118159 | 1 | BY PASS VALVE KIT - NEPTUNE 4/5 | [1] |
| 12 | 3001377 | 1 | Selvtættende skive | [2] |
| 13 | 6150680 | 1 | Kontramøtrik | [2] |
| 14 | 101117887 | 1 | Adjustment Screw For Na5 | [2] |
| 15 | 3001740 | 1 | O-Ring 7,66X1,78 Nitril | |
| 16 | 1601178 | 1 | "Vinkel 3/8" " | |
| 17 | 107144414 | 1 | NOZZLE 5 DOT F. NA5 FA UV D1.49 | [3] |
| 18 | 101117924 | 2 | Prop For Mpu 1/8 | |
| 19 | 107144142 | 1 | Screw Kit Pump Na5 | |
| 20 | 107144137 | 1 | Unloader Plug Na5 | |
| 21 | 107144410 | 1 | BY PASS VALVE | [1] |
| 22 | 1814614 | 1 | Skruer K50X18 Wn1451 A2 | |
| 23 | 62399 | 1 | Holder | |
| 24 | 103821821 | 1 | Reedkontakt | |
| 25 | 1801075 | 2 | Tætningskive 3/8" | |
| 26 | 107120501 | 1 | Hus F. Magnetventil | |
| 27 | 3000064 | 1 | O-ring 14,1 x 1,6 Nitril | |
| 28 | 101119411 | 1 | Rep.Sæt Stempel F.Flows | |
| 29 | 107120504 | 1 | Prop F. Flowswitch | |
| 30 | 101609377 | 1 | THREADED CONNECTION 6L3/8 | |
| 31 | 101117890 | 1 | Housing For Venting Valve | [4] |
| 32 | 101118183 | 1 | PISTON KIT FOR VENTING VALVE | [4] |
| 33 | 6221529 | 1 | Dæksel F. Ventilhus | [4] |

Part Notes:

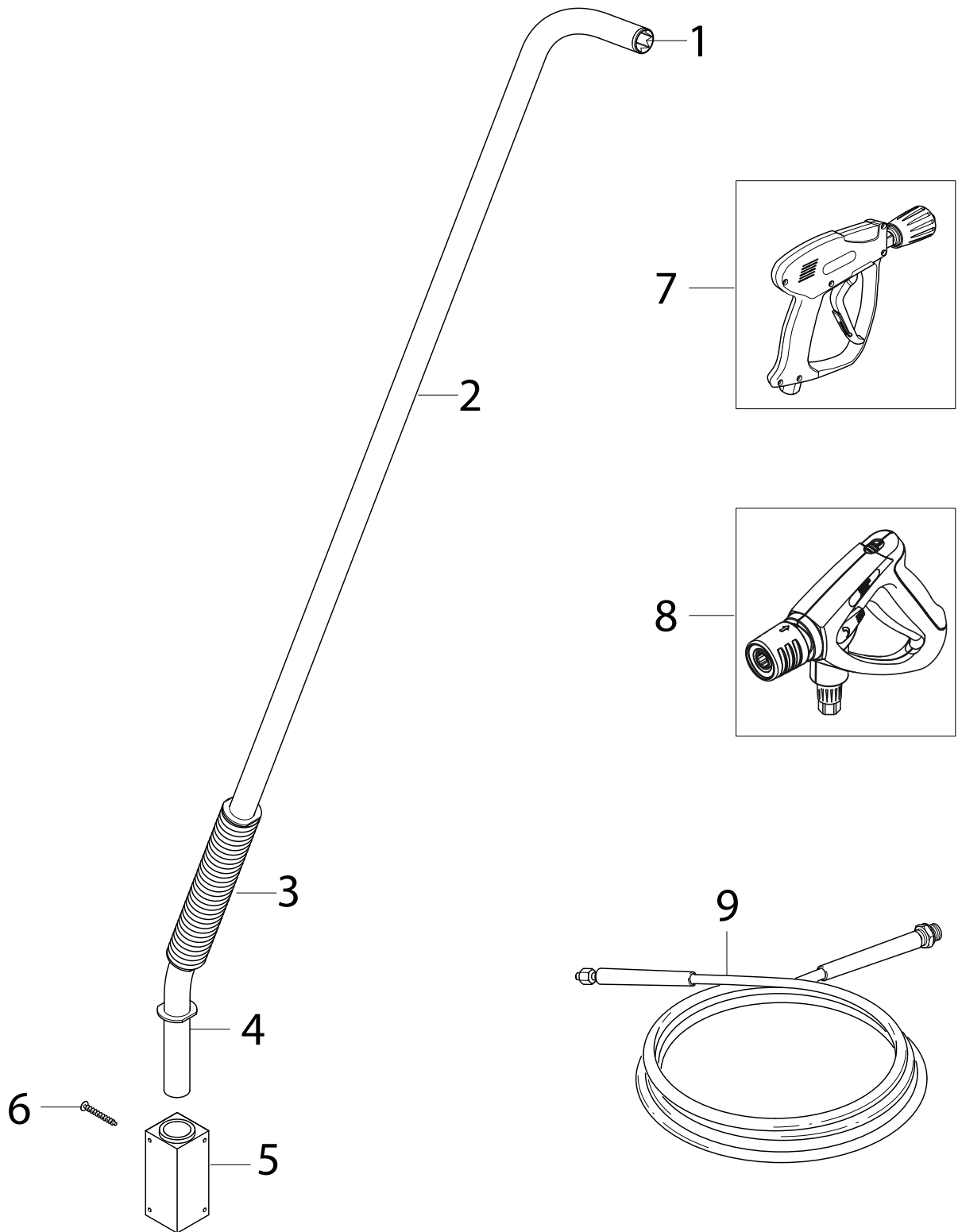
- [1] - TSB-PPW-2014-011 NEPTUNE 4 - 5 FA By-Pass Valve Changes
- [2] - Up to week 46 - 2014
TSB-PPW-2014-011 NEPTUNE 4 - 5 FA By-Pass Valve Changes
- [3] - From week 46 - 2014
TSB-PPW-2014-011 NEPTUNE 4 - 5 FA By-Pass Valve Changes
- [4] - The first Auto Booster with the venting valve is:
Item no.: 107370882
Serial No.: 3520161500118



| Pos. | Vare-nr | Antal | Beskrivelse | Notes |
|------|-----------|-------|------------------------------------|-------|
| 1 | 107318168 | 1 | COVER FOR WATER TANK KIT | |
| 2 | 16860 | 2 | Skruer 4x12 | |
| 3 | 11243 | 1 | BRACKET FOR FLOAT VALVE | |
| 4 | 34225 | 1 | Filter | |
| 5 | 62878 | 1 | Gummimembran | |
| 6 | 11418 | 1 | Float Ball | |
| 7 | 107318167 | 1 | FLOAT VALVE DN10 FLOAT BALL KIT | |
| 8 | 106408242 | 1 | HOSE 5/8INCH - 2 METERS | |
| 9 | 1810191 | 6 | Spændebånd 13-27 A4 (SS) | |
| 10 | 5613 | 2 | Slangestuds | |
| 11 | 15587 | 1 | Pakning | |
| 12 | 104601176 | 1 | CONIC DBI-DUT NO. 127C RED | |
| 13 | 107318202 | 1 | WATERTANK PLASTIC SH AUTO | |
| 14 | 107318135 | 1 | HOSE TAIL ELBOW 12X1/4 | |
| 15 | 107318203 | 1 | NIPPEL G1/2-G1/2 PA | |
| 16 | 107318204 | 1 | FILTER G1/2 MESH 32 | |
| 17 | 31000792 | 1 | FILTER CARTRIDGE 600 MICRON | |
| 18 | 107318205 | 2 | ANGLE D16XG1/2 PA | |
| 19 | 3817582 | 1 | Niveauføler, Mps | |
| 20 | 107318000 | 1 | Threaded Connection | |
| 21 | 1801075 | 1 | Tætningskive 3/8" | |
| 22 | 101609437 | 1 | CONE RING 8MM | |
| 23 | 1812247 | 2 | SCREW M8X30 A2 HFC1888 | |
| 24 | 1813567 | 2 | WASHER 25/8.4 A2 DIN9021 | |
| 25 | 107318073 | 1 | CABLE FOR HEATING ELEMENT E12 | |
| 26 | 3717 | 1 | O-RING 42.0X3.0 NITRIL 90 SMS 1586 | |
| 27 | 22297 | 1 | Varmelegeme 6Kw 400/230V | [1] |
| 28 | 6868 | 1 | CLOSURE SCREW G3/8 DIN 908 ZN | |
| 29 | 1801075 | 1 | Tætningskive 3/8" | |
| 30 | 2377 | 1 | Packing Ring 27X38X2 It | |
| 31 | 101609382 | 1 | RADIATOR FITTING 3/4 W. O-RING | |
| 32 | 103822036 | 1 | THREE-WAY VALVE COLD/WARM | |
| 33 | 101609390 | 2 | Nipple, Coude 12X3/4 | [2] |
| 34 | 107312043 | 1 | NIPPLE. MACHINED | |

Part Notes:

- [1] - PLEASE CONTACT CARWASH DIRECTLY
 [2] - STOCK COVERS GUARANTEE



| Pos. | Vare-nr | Antal | Beskrivelse | Notes |
|------|-----------|-------|--------------------------------------|-------|
| 1 | 107313212 | 1 | LEAD-IN FOR BOOM | |
| 2 | 107313259 | 1 | WASH BOOM. WELDED | |
| 3 | 102602526 | 1 | SPRING | |
| 4 | 107318209 | 1 | WASH BOOM BOTTOM PART WELDED | |
| 5 | 107318210 | 1 | SUPPORT | |
| 6 | 107318211 | 4 | SCREW K60X40 TX25 WN1452 A2 | |
| 7 | 106402243 | 1 | Frostsikker spulehåndtag | [1] |
| 8 | 106403122 | 1 | Ergo 2000 spulehåndtag m. svivel | [2] |
| 9 | 101405641 | 1 | Højtryksslange 8,2 m enkelt-wire DN6 | |
| 9 | 101406058 | 1 | Steelarm Slange L=12000 | |

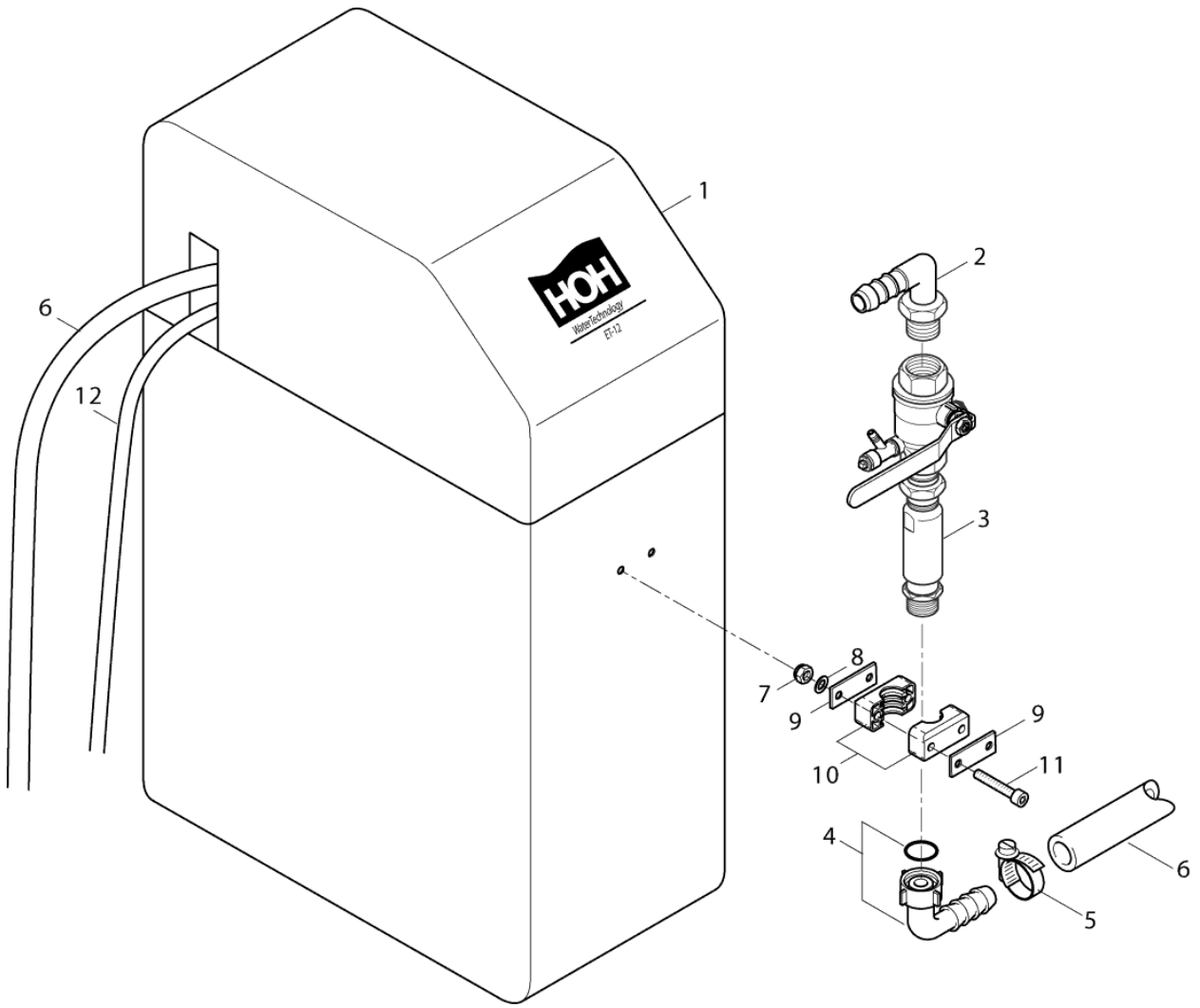
Part Notes:

- [1] - See Weeping winter gun
- [2] - 106403122 - ERGO 2000 Spray handle

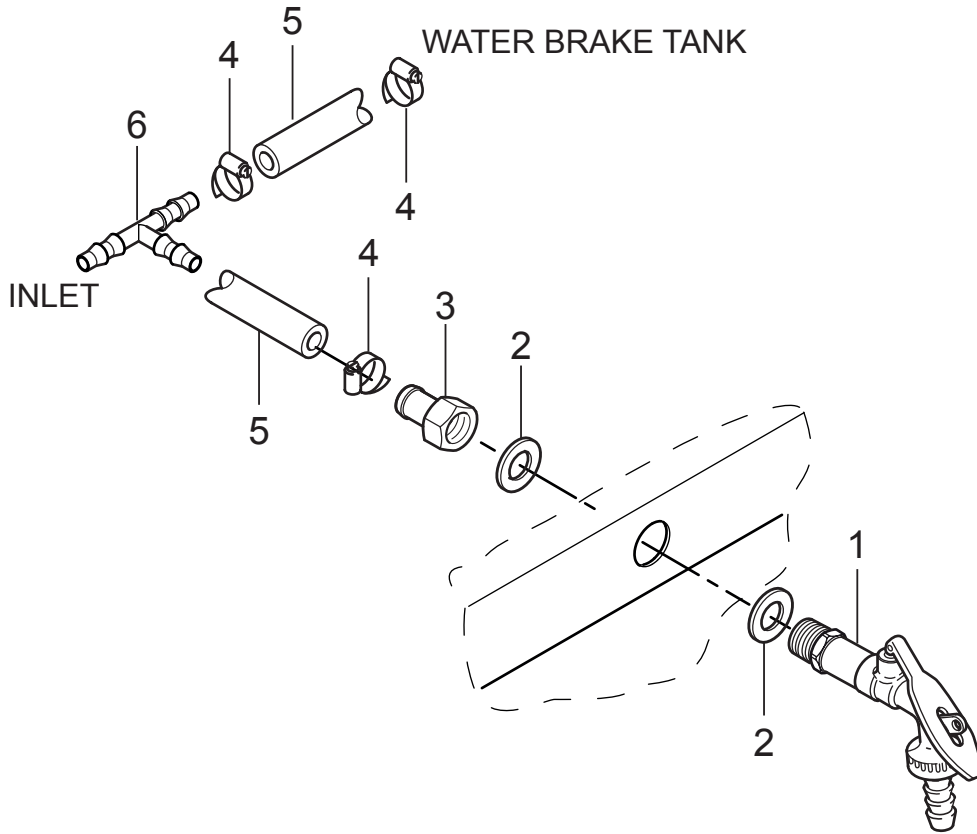
| Pos. | Vare-nr | Antal | Beskrivelse | Notes |
|------|-----------|-------|--|-------|
| A | 101118159 | 1 | BY PASS VALVE KIT - NEPTUNE 4/5 | |
| A | 101118097 | 1 | WATER SEAL KIT W. NEW SUPPORT RING - NA5 | |
| A | 101119411 | 1 | Rep.Sæt Stempel F.Flows | |
| A | 101405641 | 1 | Højtryksslange 8,2 m enkelt-wire DN6 | |
| A | 101406058 | 1 | Steelarm Slange L=12000 | |
| A | 103821821 | 1 | Reedkontakt | |
| A | 103822265 | 1 | Slange F Kemipumpe | |
| A | 106402243 | 1 | Frostsikker spulehåndtag | |
| A | 107144100 | 1 | Ventil Kit Na5 | |
| A | 107144102 | 1 | Oliemanchet Kit - Na5 | |
| A | 101118239 | 1 | PISTON KIT - NA5.2 | |
| A | 107144104 | 1 | Fjeder Kit - Na5 | |
| A | 107141983 | 1 | CYLINDER BLOCK W/O-RING NA5.2 | |
| A | 107318167 | 1 | FLOAT VALVE DN10 FLOAT BALL KIT | |
| A | 1118512 | 1 | Rep. sæt sikkerhedsventil | |
| A | 1118546 | 1 | Rep.Sæt F. Omløbsventil | |
| A | 22297 | 1 | Varmelegeme 6Kw 400/230V | [1] |
| A | 3001377 | 1 | Selvtættende skive | |
| A | 301000246 | 1 | Manometer POSEIDON 5 | |
| A | 34225 | 1 | Filter | |
| A | 3717 | 1 | O-RING 42.0X3.0 NITRIL 90 SMS 1586 | |
| A | 3817582 | 1 | Niveauføler, Mps | |
| B | 107318198 | 1 | BOTTOM SCREW W/ D1.7 | |
| C | 107144410 | 1 | BY PASS VALVE | |
| C | 101117887 | 1 | Adjustment Screw For Na5 | |
| C | 107141951 | 1 | MOTOR 4KW 200/3/50-60 | |
| C | 103822011 | 1 | Safety device AEG C10 1P-N | |
| C | 103822036 | 1 | THREE-WAY VALVE COLD/WARM | |
| C | 103822046 | 1 | Sikkerh.Termostat 97/1750 | |
| C | 103822056 | 1 | Termostat -35- +35 Termostat -3- +35 | |
| C | 103822213 | 1 | Kemi pumpe | |
| C | 103822304 | 1 | Contacto Cjx2-D18-P7 230 V | |
| C | 107120501 | 1 | Hus F. Magnetventil | |
| C | 101118247 | 1 | WOBBLE DISC 8.7 DEG. BEARING KIT NA5.2 | |
| C | 107318242 | 1 | INVERTER FR-D740-080-EC WITH PROGRAM | |
| C | 107318151 | 1 | THERMOSTAT 20-60 | |
| C | 107318152 | 1 | THERMOSTAT 20-53GR | |
| C | 107318185 | 1 | COIN ACCEPTOR UNIVERSAL EMP 800.07 V6 | |
| C | 107318186 | 1 | DISPLAY D801.00 | |
| C | 107318187 | 1 | START SWITCH/LIGHT BLOCK NO CONTACT | |
| C | 107318212 | 1 | OVERCURRENT RELAY 3-POL 20A 10KA | |
| C | 107318213 | 1 | CONTACTOR 100-C16EJ01 | |
| C | 107318220 | 1 | POWERSUPPLY FOR COIN N 820.06/24VDC | |
| C | 107318221 | 1 | POTENTIONMETER MOUNTED | |
| C | 107318234 | 1 | SWITCH 6 POL WITH 0-10VDC/ANALOG SIGNAL | |
| C | 107318239 | 1 | EMC FILTER FOR INVERTER | |
| C | 31000148 | 1 | Rear Bearing Cover Rf | |
| C | 31000149 | 1 | Leje, Rf | |
| C | 31000150 | 1 | REAR BEARING COVER EME | |
| C | 31000151 | 1 | REAR BEARING EME | |
| C | 6150680 | 1 | Kontramøtrik | |

Part Notes:

[1] - PLEASE CONTACT CARWASH DIRECTLY



| Pos. | Vare-nr | Antal | Beskrivelse | Notes |
|------|-----------|-------|-------------------------------|-------|
| 0- | 107370970 | 1 | Blødgøringsanlæg | |
| 1 | 104601166 | 1 | WATER SOFTENING UNIT E12 | |
| 2 | 101609353 | 1 | HOSE TAIL ELBOW 16X3/4 INCH | |
| 3 | 103403271 | 1 | HIGH PRESSURE SWITCH 3/4 INCH | |
| 4 | 5613 | 1 | Slangestuds | |
| 5 | 8298 | 1 | Spændebånd | |
| 6 | 106408242 | 1 | HOSE 5/8INCH - 2 METERS | |
| 7 | 33158 | 2 | LOCK NUT M6 A2 DIN 985 | |
| 8 | 1813807 | 2 | Skive M6Xø18 Rf | |
| 9 | 7302021 | 2 | PLATE FOR CABLE FIXTURE | |
| 10 | 1609297 | 1 | BRACKET FOR PIPE 30MM | |
| 11 | 101814694 | 2 | Screw | |
| 12 | 5206461 | 1 | "Pvc Slange 1/2"" M. Nylon" | |



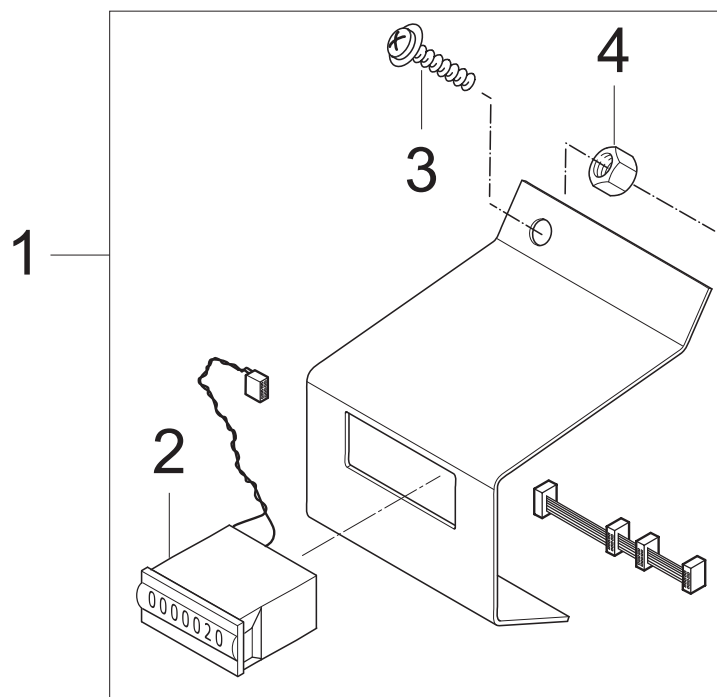
OPTION outlet handle

AUTO BOOSTER 5M-100/500 E

2015.05.19

2015.09.29

| Pos. | Vare-nr | Antal | Beskrivelse | Notes |
|------|-----------|-------|----------------------------------|-------|
| 0 | 107370967 | 1 | ACCESSORY WATER TAP | |
| 1 | 103403278 | 1 | PLUG VALVE 1/2 INCH | |
| 2 | 3000361 | 2 | Kobberskive Ø27Xø21X1,5 | |
| 3 | 6200575 | 1 | Slangestuds | |
| 4 | 1810191 | 3 | Spændebånd 13-27 A4 (SS) | |
| 5 | 106408242 | 1 | HOSE 5/8INCH - 2 METERS | |
| 6 | 101609403 | 1 | T-PIECE 16BLUE A9-8 PA 14BAR/90° | |



| Pos. | Vare-nr | Antal | Beskrivelse | Notes |
|------|-----------|-------|--|-------|
| 1 | 107370968 | 1 | Polet tæller | |
| 2 | 107318246 | 1 | COUNTER FOR COIN SYSTEM 24VDC 7 DIGITS | |
| 3 | 1804475 | 1 | Skruer M5X12 ISO 14583-A2 TORX | |
| 4 | 1804285 | 1 | Låsemøtrik M5 | |

