

# PARTS LIST

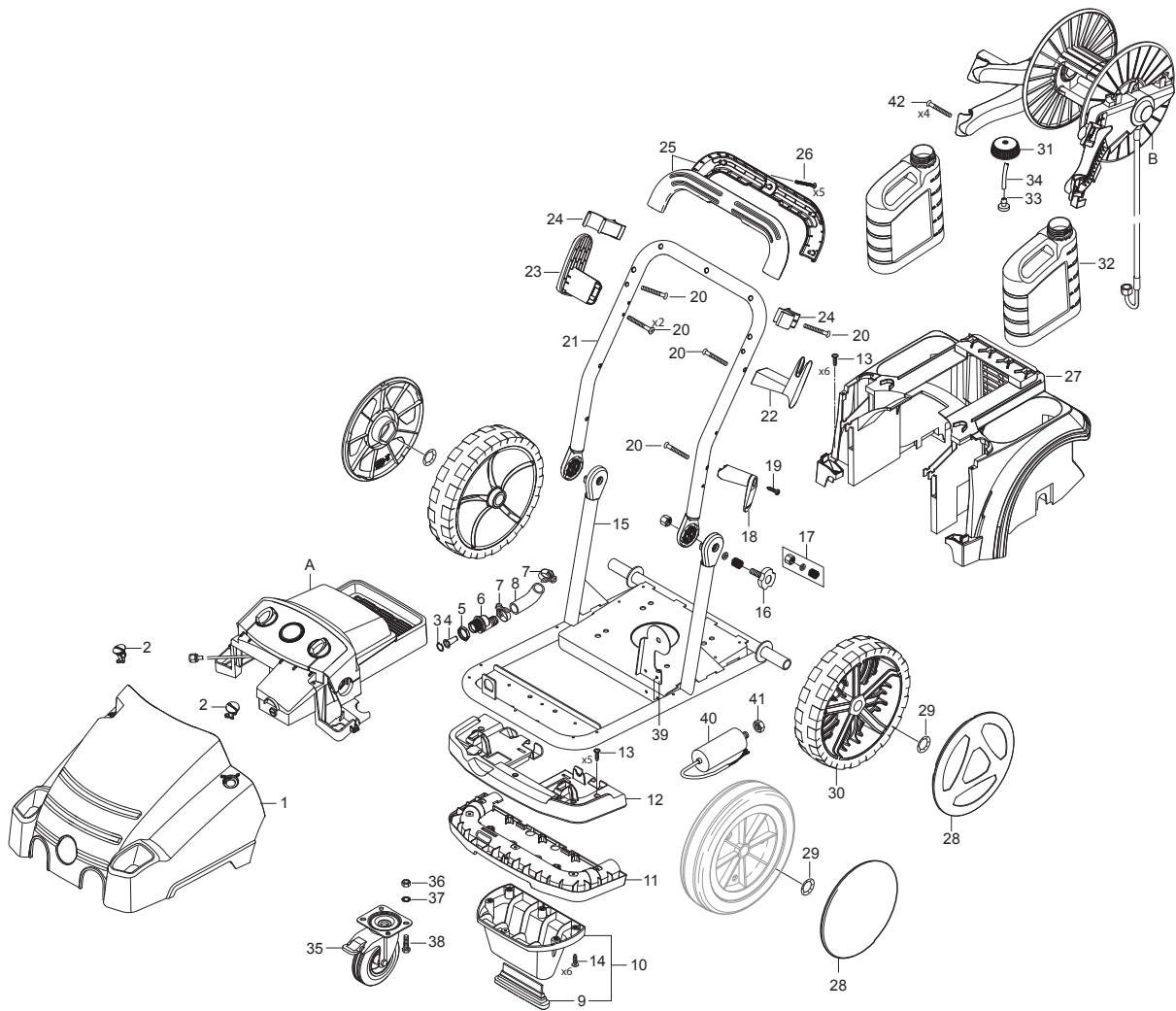


2017.04.11

# TABLE OF CONTENTS

---

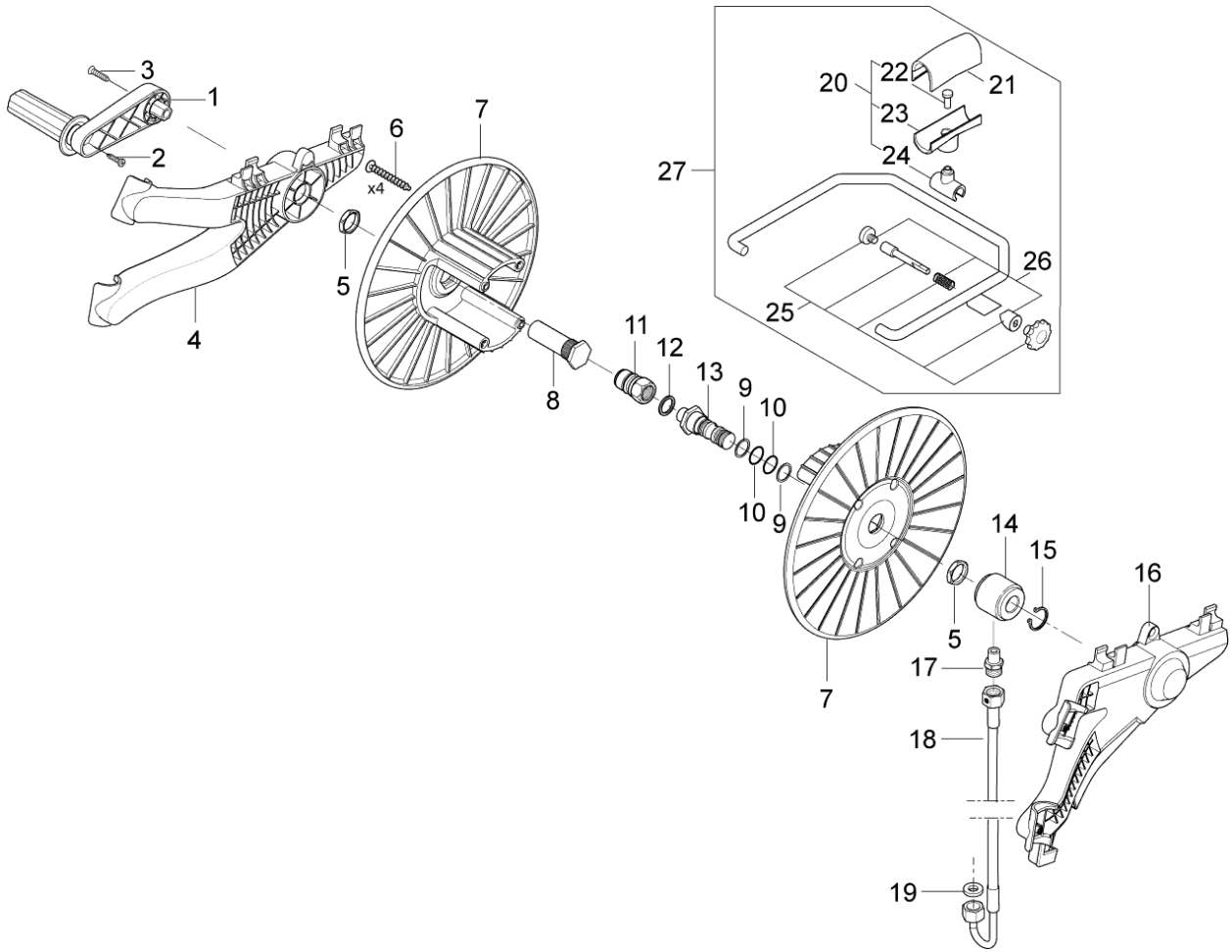
Overview .....	1
Hose reel .....	4
Electric box .....	6
Motor .....	9
Cylinder block .....	12
Water flow regulation .....	14
Outlet fitting .....	16
Default accessories .....	18
Recommended spare parts .....	20



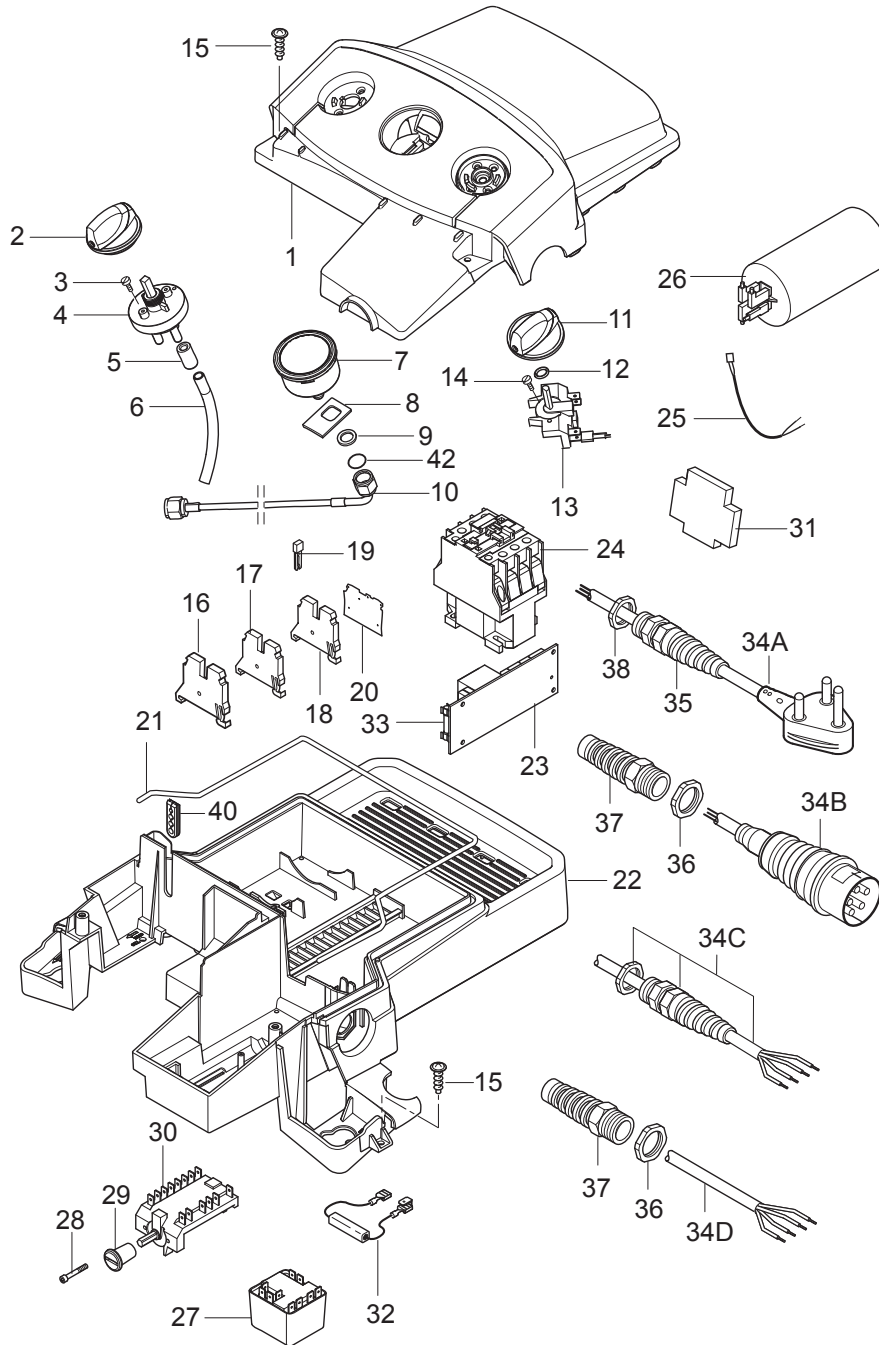
Pos.	Vare-nr	Antal	Beskrivelse	Notes
A		1	El-box complete	[1]
B		1	Hose reel complete	[2]
1	107141603	1	CABINET FRONT NA POSEIDON 7	
1	107140960	1	CABINET FRONT NA POSEIDON 7 UNITOR	
2	301001261	2	Lås	
3	107141667	1	LOCK WASHER	
4	101117926	1	Filter	
5	1800341	1	"Kontramøtrik 3/4"" "	
6	107141669	1	WATER INLET PIPE C3	
7	107141707	2	HOSE CLIP 20-32MM SS	[3]
7	23221	2	HOSE CLAMP 20-32	
8	107141671	1	RUBBER ELBOW C3	
9	107141615	1	RUBBER FOOT	
10	101118100	1	FRONT FOOT FOR POSEIDON KIT	
11	107141617	1	BUMPER BOTTOM	
12	107141618	1	BUMPER TOP	
13	107141690	5	SCREW M5X12 DIN7985 TORX TAPTITE	
14	107141838	6	SCREW K50X18 WN1451 BLACK TORX20	
15	107141622	1	FRAME STAINLESS STEEL	
15	107141621	1	FRAME NA6/C3	
16	107141672	2	GRIB FOR FOLDABLE HANDLE	
17	101118104	2	SPRING AND LOCK NUT KIT	
18	107141625	1	CABLE HOOK MOVABLE BLACK	
19	107141838	1	SCREW K50X18 WN1451 BLACK TORX20	
20	107141627	10	SCREW K50X40 T20	
21	107141623	1	FRAME HANDLE	
21	107141624	1	FRAME HANDLE STAINLESS STEEL	[3]
22	107141632	1	CABLE HOOK	
23	107141629	1	HOSE HOOK	
24	107141630	1	LANCE HOLDER NA	
25	101118101	1	HANDLE KIT	
26	909100148	5	SCREW K40X30 WN 1452	
27	107141634	1	REAR END	
28	107145780	2	WHEEL CAP FOR WHEEL Ø300X65 - NILFISK	[4]
28	107145782	2	WHEEL CAP FOR WHEEL Ø300X65 - UNITOR	[4]
28	301001077	2	Hjulkappe	[4]
28	107140961	2	Hjulkappe Ø300 UNITOR	[4]
29	107145570	2	CLAMPING RING D25XD42X3	[3]
29	46363	2	Låsering Ø25	
30	107145637	2	WHEEL D300X65	[4]
30	2010908	2	Endenavshjul Grå Gummi	[3]
30	6184074	2	Kørehjul	
31	107141664	2	CAP FOR DETERG. TANK WITH VALVE MOUNTED	[5]
32	107141635	2	Flaske til rengøringsmiddel 2,5 liter	
33	6400240	1	Filter	
34	106408243	1	HOSE 1/4INCH TRANSPARENT - 5 METERS	
35	107141608	1	WHEEL W. BRAKE D125 FOOD	[3]
35	107141607	1	WHEEL W. BRAKE D125	
36	1800515	4	Låsemøtrik M8	
36	1809920	4	Låsemøtrik M/Nylonring Rf	[3]
37	1800796	8	Skive M8	
37	1802917	8	Plan Skive M8 Rf	[3]
38	2753	4	Skrue	
38	107140930	4	SCREW M8X20 DIN933 SS	[3]
39	107141611	1	PLATE FOR CAPACITOR	
40	107140974	1	CAPACITOR 160UF 400/450V	
41	2761	1	HEXAGON NUT M12	[6]
42	107141695	4	SCREW K50X35 TORX 20 WN5452 BLACK	
NS	107140982	1	10 PCS OF BOXES FOR PACKAGING	

## Part Notes:

- [1] - See link Electric box
- [2] - See link Hose reel
- [3] - Food
- [4] - The new wheel and wheel cap is added from  
Variant Ser. Nr. order nr.machine nr.  
Nilfisk 3520151900645 - 1712947 - 107146806  
Unitor 3520151901159 - 1711044 - 107146807
- [5] - PRUNED
- [6] - STOCK COVERS GUARANTEE



Pos.	Vare-nr	Antal	Beskrivelse	Notes
0	106403143	1	Slangerulle kit	
1	101118102	1	HOSE REEL HANDLE KIT	
2	107141838	1	SCREW K50X18 WN1451 BLACK TORX20	
3	107141673	1	SCREW M6X45 ISO 7380 BLACK TORX	
4	107141674	1	ADAPTOR RIGHT FOR HOSE REEL	
5	62696	1	Møtrik	
6	909100153	1	Ejot-Skrue K60X40	
7	301000775	1	Slangerulle Halvdæl	
8	107141675	1	AXLE FOR HOSE REEL	
9	63792	2	Back-up ring	
10	19620	2	O-ring	
11	1600493	1	Ergo højtryksskobling DN10 3/8" han	
12	1801075	1	Tætningsskive 3/8"	
13	107141676	1	SWIVEL SCREW FOR HOSE REEL	
14	301000977	1	Lejebøsning	
15	1802057	1	Circlip external 20x1.2 Spring steel, bl	
16	107141677	1	ADAPTOR LEFT FOR HOSE REEL	
17	54590	1	Forskruning	
18	107141678	1	CONNECTION HOSE FOR HOSE REEL	
19	65466	1	Packing Ring 8X15X1	
20	101118103	1	HOSE GUIDE PARTS KIT	
21	301000674	1	Slangeføring Overdæl	
22	10028	1	Skrue	
23	301000676	1	Slangeføring Underdæl	
24	107141679	1	HOSE GUIDE SLEEVE OPEN	
25	101118106	1	HOSE GUIDE BRAKE COMPLETE KIT	
26	101118111	1	HOSE GUIDE KIT	
27	101118105	1	Bremse og styre kit til slangerulle	



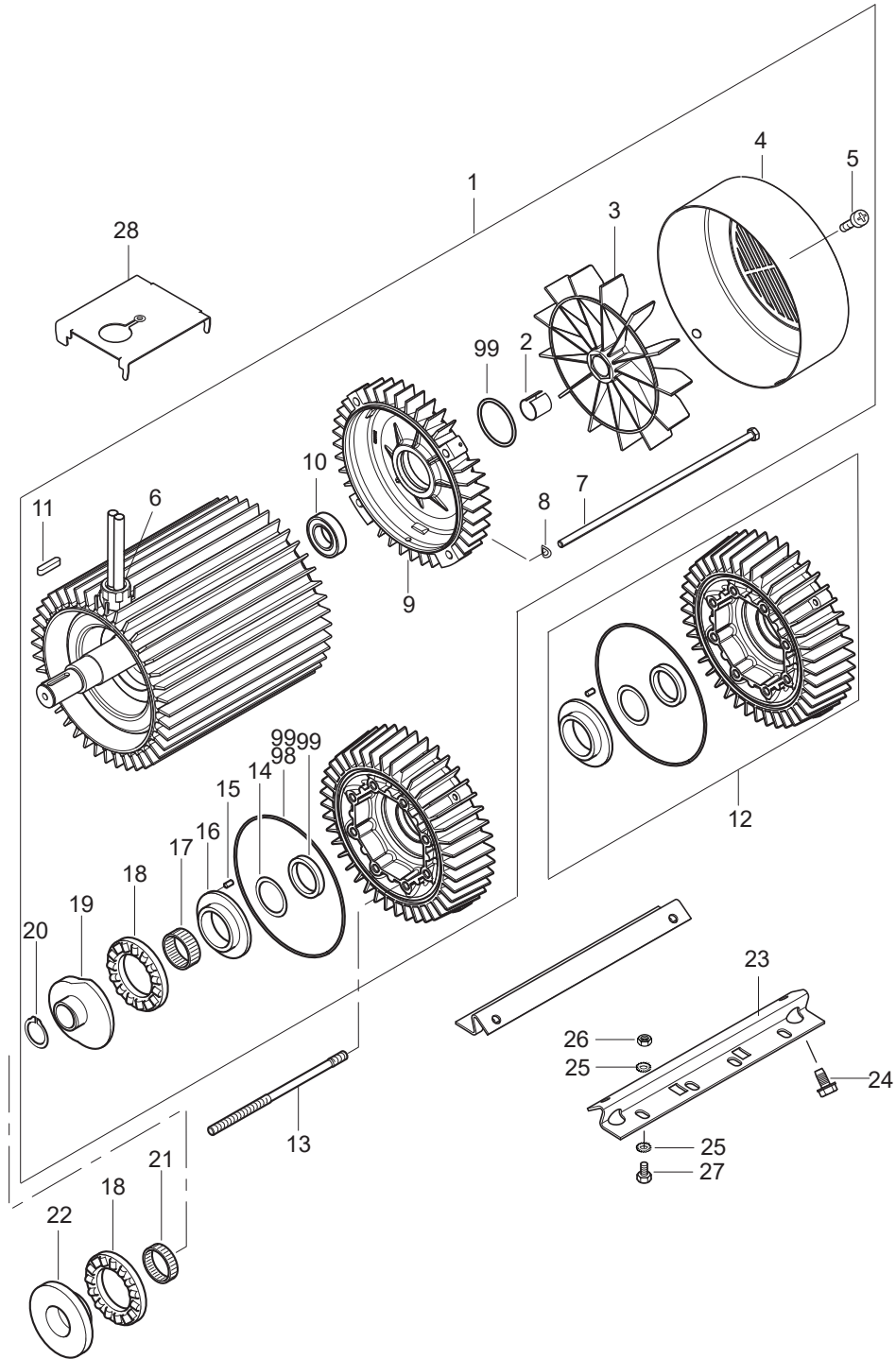


Pos.	Vare-nr	Antal	Beskrivelse	Notes
0	101118144	1	START RELAY KIT F. POSEIDON 5 1PH GB/AUS	[1]
0	101118143	1	START RELAY KIT F. POSEIDON 5-6-7 1PH US	[1]
1	107141644	1	E-BOX TOP F. 1-POS SWITCH AND DET. BLACK	[2]
1	107141645	1	E-BOX TOP F. 2-POS SWITCH AND DET. BLACK	[3]
1	107141646	1	E-BOX TOP F. 1-POS SWITCH-NO DET. BLACK	[4]
2	909100214	1	Drejeknap Gr.1 4Kt	
3	1814730	2	SCREW 35X10B W1423	
4	301001000	1	Doserventil	
5	301001906	1	Lukkekappe	
6	106408243	1	HOSE 1/4INCH TRANSPARENT - 5 METERS	
7	107141648	1	MANOMETER 0-300 BAR - 1/4"	
8	107141650	1	PLATE FOR MANOMETER	
9	107141651	1	WASHER M12 13X24X2.5 A2 DIN125	
10	107141652	1	MANOMETER TUBE	[5]
10	107141653	1	MANOMETER TUBE FA MODELS	
11	909100204	1	Drejeknap	
12	9868	1	O-ring 10.0X2.5	
13	28877	1	Switch	[6]
13	301001058	1	Start/stop kontakt	[7]
14	18274	1	Skruer M4X12	
15	107141838	6	SCREW K50X18 WN1451 BLACK TORX20	
16	103821922	1	DIN-END STOP WO/SCREW WAGO 249-116	
17	107141633	1	TERMINAL BLOCK 4Q PE	
18	103821967	1	WIRE TERMINAL WAGO281 800V 4MM2	
19	103821969	1	Laske Wago 4Q	
20	103821968	1	Endeplade Wago 4Q	
21	101406054	1	Sponge Rubber Ø4 L 1M	
22	107141654	1	E-BOX BOTTOM DRILLED /CABLE/	
22	107141655	1	E-BOX BOTTOM DRILLED /SWITCH/	[8]
22	107141665	1	E-BOX BOTTOM	
22	107141706	1	E-BOX BOTTOM DRILLED CABLE AND SWITCH	[9]
23	107141666	1	PCB POSEIDON 5-6-7	
24	103822303	1	Contacteur Cjx2-D18-V7 400	[10]
24	103822304	1	Contacteur Cjx2-D18-P7 230 V	[11]
24	103822314	1	CONTACTOR CJX2-D32 32A 230V 3P+NO	[12]
24	63915	1	Contacteur 100-C30Kf10 230 /50-60 Hz	[13]
25	107141656	1	WIRE	
26	101117947	1	CAPACITOR 100UF 450V DOUBLE 6.3 FASTON	[14]
26	101117948	1	CAPACITOR 70UF 400/450V DOUBLE FASTON	[15]
27	107140967	1	START RELAY RVA4N0C	[15]
27	107140968	1	START RELAY RVAH4AH0C	[16]
28	40045	2	PAN HEAD SCREW M4X30	
29	64580	1	ROTARY KNOB	[17]
30	301000293	1	Kontakt Stjerne/Trekant	
31	64773	1	Hjælpekontakt	
32	107141730	1	DISCHARGE RESISTOR 15KOHM/7W	[1]
33	301000263	1	Fuse 0,63A/500V/T Ø6 3X32	
34A	301000407	1	POWER CORD SJOW AWG10/3X9.0	[18]
34B	301000253	1	Power Cord H07Rn-F 4G1,5 X9	[19]
34C	107141824	1	POWER CORD VCT 4X5.5X9 JP	[20]
34C	301001384	1	POWER CORD VCT 4X3.5X10,8M W/O PLUG AEH	[20]
34D	301000337	1	Elkabel 4G2,5	[21]
34D	107140962	1	POWER CORD H07RN-F 4G1.5X9M WO/PLUG	[22]
34D	301000834	1	Ledning Med Stik	[23]
35	909100198	1	SCREWED CABLE GLAND M25X1.5	
36	909100020	1	Hexagon Thin Nut M25X1.5 En 50262 P	
37	909100019	1	Møtrik	
38	909100043	1	Kabelafastning	
40	107141663	1	RUBBER GROMMET	

Pos.	Vare-nr	Antal	Beskrivelse	Notes
42	31000508	1	O-RING NBR	

## Part Notes:

- [1] - 230/1/50 UK, 220-240/1/60 US
- [2] - 1 pos. and detergent
- [3] - 2 pos. and detergent
- [4] - 1 pos. without detergent
- [5] - PA
- [6] - 2-POS.
- [7] - 1-POS.
- [8] - Star/triangle
- [9] - 220/440/3/60 (7-67 US)
- [10] - 400/3/50Hz
- [11] - 230/1/50Hz
- [12] - (220-240/1/60 US) (200/3/50-60Hz JP)
- [13] - 220/440/3/50/60Hz
- [14] - 5-52FA US
- [15] - 230/1/50 UK
- [16] - 220-240/1/60 US
- [17] - TSB-PPW-2016-007 Rotary knob for Voltage selector switch 230V-400V must be sealed with lacquer  
DE TSB-PPW-2016-007 Drehknopf des Spannungsauswahlschalters 230V-400V muss mit Lack versiegelt werden
- [18] - STOCK COVERS GUARANTEE  
US
- [19] - 400/3/50 EU
- [20] - JP
- [21] - NO, EXP.
- [22] - UNITOR
- [23] - EU, 3ph

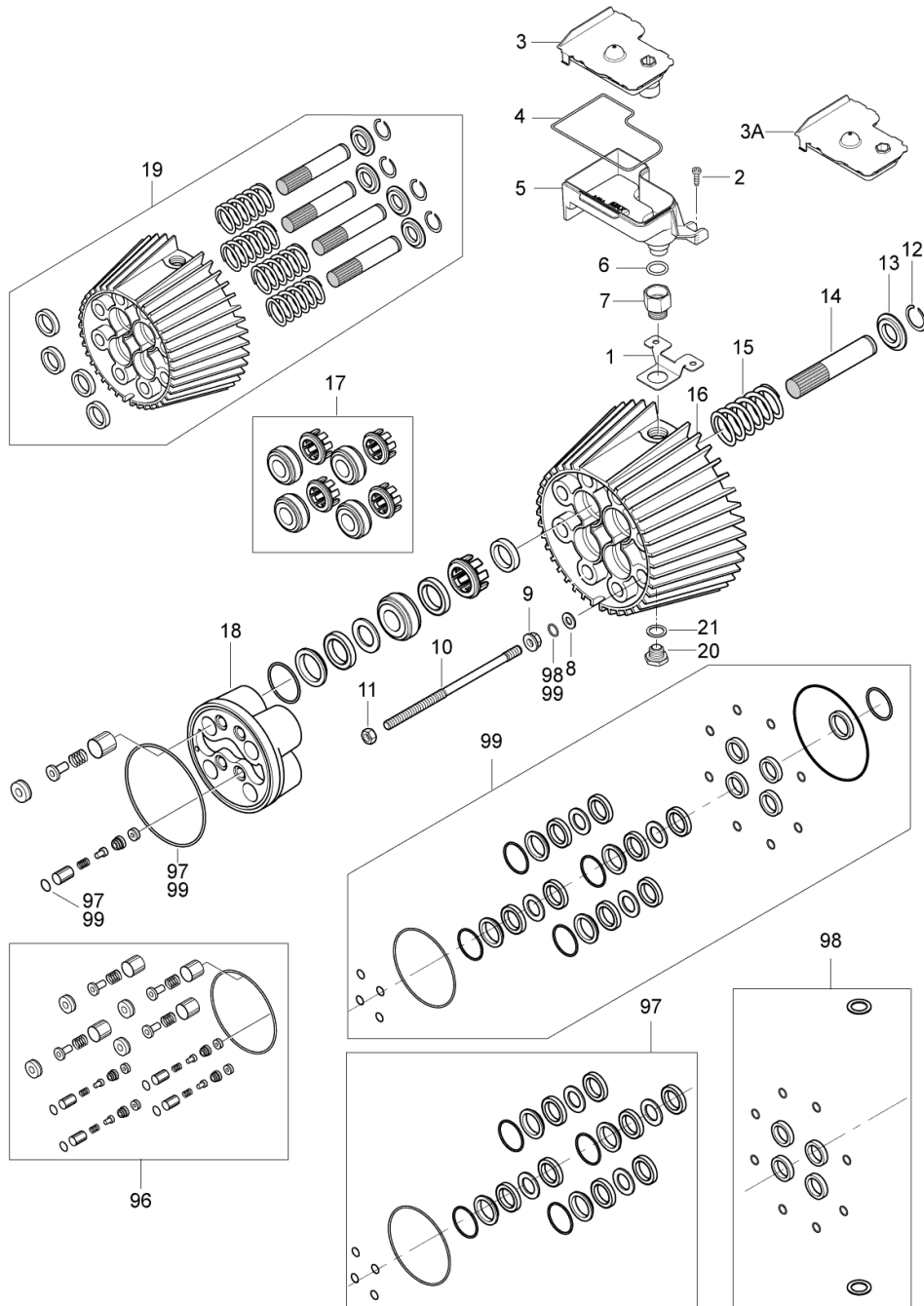


Pos.	Vare-nr	Antal	Beskrivelse	Notes
00	5218433	1	Pumpeolie ISO 150 (1 liter)	[1]
1	107120753	1	MOTOR 6.5KW 200 3 60	[2]
1	107120751	1	MOTOR 6.5KW 440 220 3 60	[3]
1	107120750	1	Motor 6,5Kw/400-415/230/ 3	[4]
1	107120757	1	MOTOR 5.0KW 208 230 1 60	[5]
1	107120752	1	MOTOR 6.5KW 200 3 50	[6]
2	1802503	1	Låsering Ø25 x Ø25	
3	6100605	1	Ventilatorvinge	[7]
3	107142275	1	FAN AND RETAINING RING	[8]
4	6100609	1	Ventilatorskærm	[7]
4	107142276	1	COVER FOR FAN	[8]
5	101814693	2	SCREW M4X 8 EE DIN 7500 A2	
6	7302028	1	Bush	
7	6100712	1	Stagbolt F. Statorhus	[9]
7	31000493	4	STAY BOLT 306 MM	[7]
8	1801182	4	Fjederskive M8	
9	107140617	1	Rear Bearing Cover	[7]
9	107142277	1	REAR BEARING COVER	[8]
10	3200623	1	Leje	[7]
10	31000149	1	Leje, Rf	[8]
11	3200672	1	Feder	
12	107140615	1	Front Bearing Cover Compl Ete	
13	6301368	8	Stagbolt	
14	6100995	1	Skive	
15	6100996	1	Styrestift	
16	107120703	1	Lejeskive	
17	3200656	1	Nåleleje Ina K 40X46X17	
18	3200615	2	Rulleleje	
19	107120710	1	Skråskive 6	[10]
19	107120716	1	Skråskive 12	[11]
19	107120708	1	Skråskive 4	[12]
20	1802511	1	Seegerring U 28 X 1,5	
21	3200664	1	Nåleleje	
22	107120704	1	Lejeskive	
23	107142071	2	MOTOR BRACKET C3 POSEIDON 7	
24	107140908	4	SPECIAL SCREW M10x20 F. C3 BRACKET SPARE	
25	10204	8	SERRATED LOCK WASHER A10	
25	107140931	8	TOOTHED WASHER M10 SS	[13]
26	1802966	4	Nut Hex M10 A2 DIN 934	[13]
26	1800465	4	Møtrik M10	
27	1801133	4	Sætskrue M10X25	
27	24319	4	HEX. SCREW M10X35 ISO 4017 A2	[13]
28	107140942	1	BRACKET /MOUSE/ POS. 7 SPARE PART	
98	1119820	1	Rep. sæt oiletætning 03	[14]
99	1119570	1	Rep. sæt pakninger C3	[14]

## Part Notes:

- [1] - 1,1L required  
Oil Types Mobile Pressure Washers
- [2] - JP, 60Hz
- [3] - EXP., POSEIDON 7-67 FA / 195/1280 FA US
- [4] - EU
- [5] - US
- [6] - JP, 50Hz
- [7] - EME – has EME letter on the motor type plate
- [8] - - RF – has Nilfisk letter on the motor type plate
- [9] - STOCK COVERS GUARANTEE
- RF – has Nilfisk letter on the motor type plate

- [10] - JP 60Hz, EXP., 7-67 FA / 195/1280 FA US
- [11] - EU, (JP 50Hz)
- [12] - POSEIDON 7-52 FA / MC 7P 150/1160 FA US
- [13] - Food
- [14] - See pump



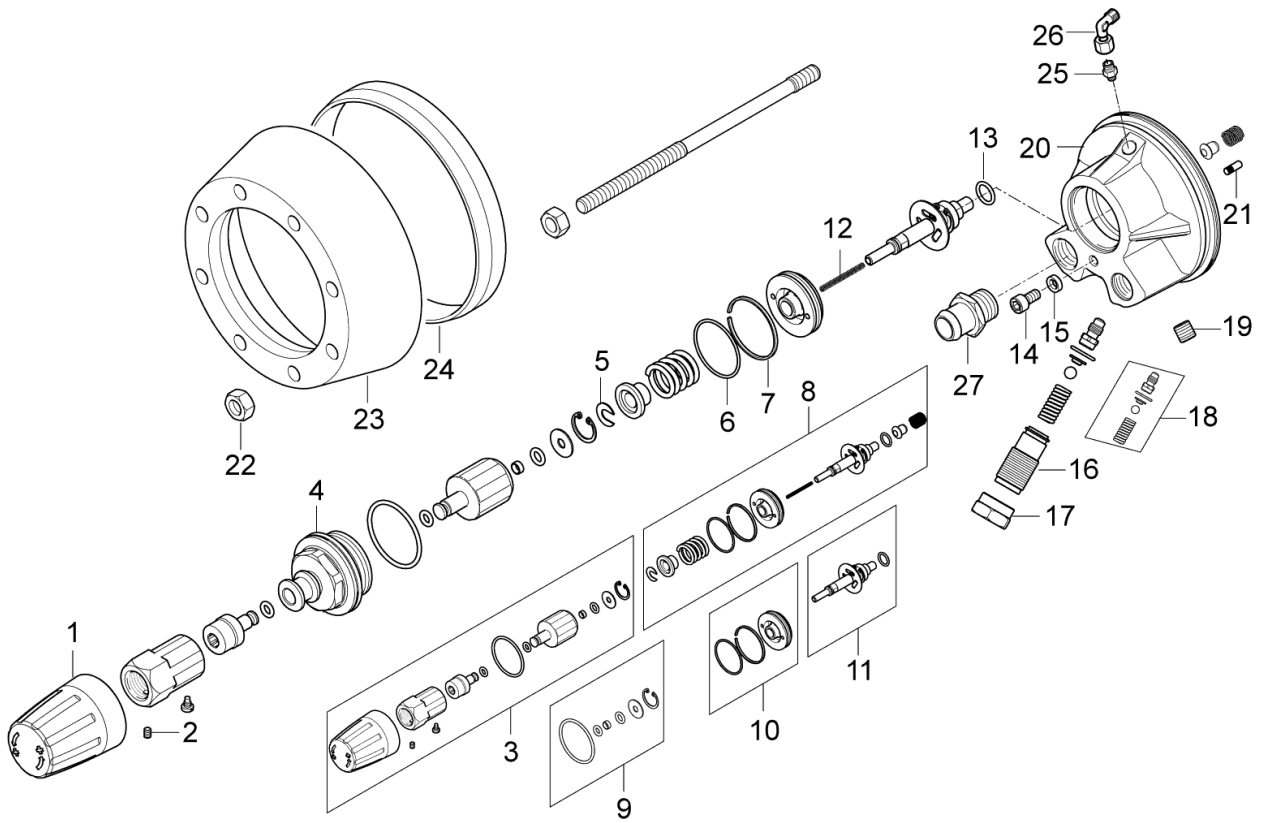
Pos.	Vare-nr	Antal	Beskrivelse	Notes
0-	5218433	1	Pumpeolie ISO 150 (1 liter)	
1	107141609	1	PLATE FOR ADAPTOR FOR OIL CONTAINER C3	
2	107140881	2	SCREW M5X12 DIN 7985 TORX	
3	107140883	1	OIL CONTAINER TOP W/LEVEL SENSOR	
3A	107140877	1	OIL CONTAINER TOP	
4	101406054	1	Sponge Rubber Ø4 L 1M	
5	107140879	1	OIL CONTAINER BOTTOM	
6	107140882	1	O-RING 15.0 X 3.0 SMS 1586 NBR70	
7	107141610	1	SCREW CONNECTION C3	
8	6100718	8	Skive F. Stagbolt	
9	6100719	8	Trykring	
10	6301368	8	Stagbolt	
11	1800465	8	Møtrik M10	
12	1802529	4	Seeger Springring	
13	6100666	4	Ring til returfeder	
14	6301166	4	Trykstempel keramik C3	
15	102602517	4	Returfeder C3K	
16	6100610	1	Cylinderblok	
17	107120700	4	Trykring & støttering (1 stk)	
18	107120701	1	Cylinder	
19	6300071	1	Cylinderblok Komp.	
20	6150400	1	Bundprop	
21	106408208	1	COPPER SEALING 17X25X1.5	
96	1119195	1	Rep. sæt ventilsystem	[1]
96	1119310	1	Rep. sæt til ventiler	[2]
96	101119848	1	Valve Kit Inlet/Outlet	[3]
97	1119571	1	Rep. sæt (pakningssæt, reduceret)	[4]
98	1119820	1	Rep. sæt olietætning 03	
99	1119570	1	Rep. sæt pakninger C3	

## Part Notes:

- [1] - STEEL
- [2] - PLASTIC
- [3] - - TOLERATE CHLORINE
- [4] - C3

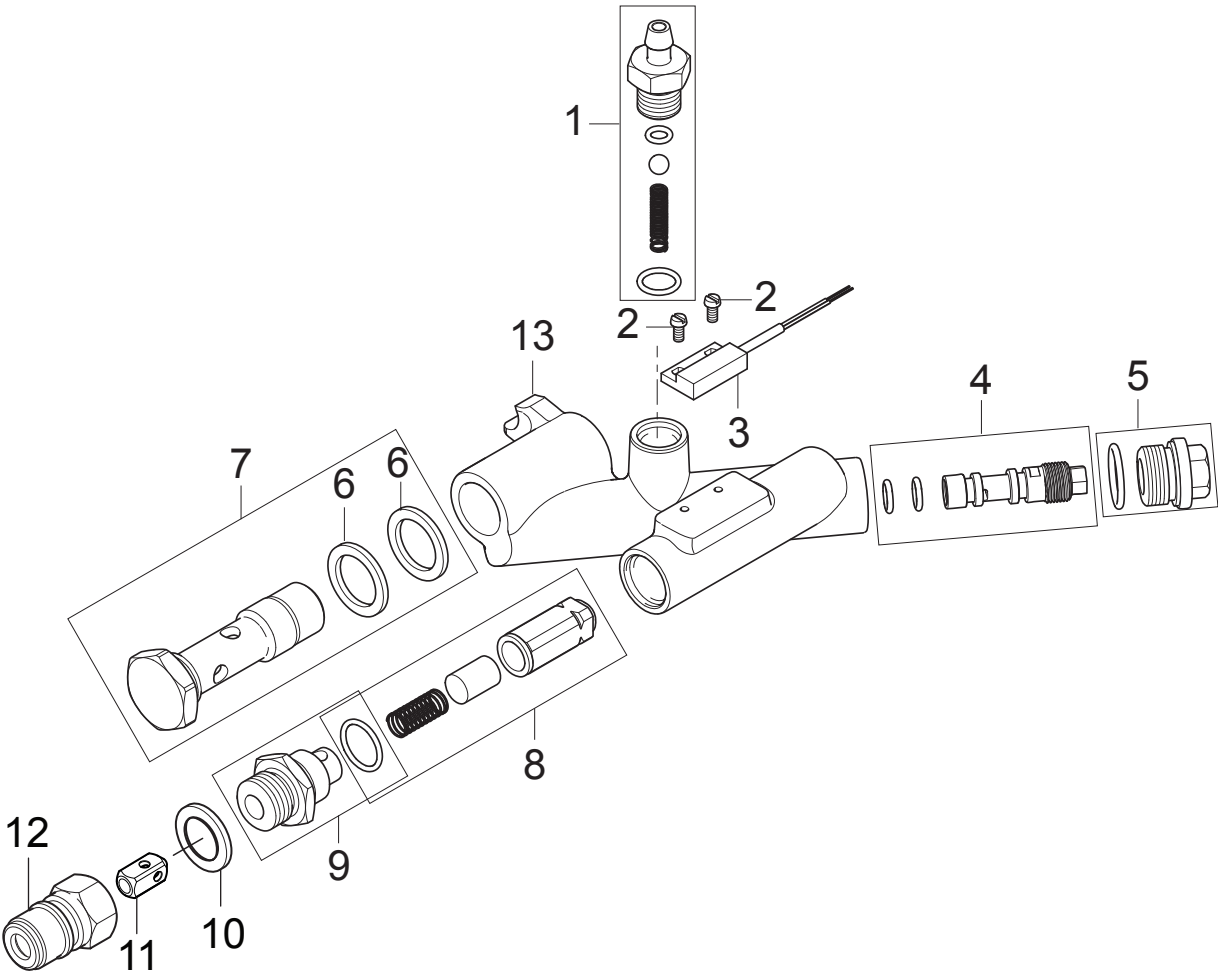
TSB-PPW-2016-011 Rep kit 1119571 and 1119570 potential have wrong O-ring in kit

DE TSB-PPW-2016-011 Rep Kit 1119571 und 1119570 beinhalten möglicherweise einen falschen O-Ring





Pos.	Vare-nr	Antal	Beskrivelse	Notes
1	107140914	1	WATER REGULATION C3	
2	1802602	1	Kraterskrue M4X6 Rf	
3	101118115	1	WATER REGULATION KIT C3	
4	6100984	1	Bøsning til justerspindel	
5	6101069	1	Låsering F. Fjederstyr	
6	3001716	1	O-ring 35,1X1,6 Nitril	
7	6101061	1	Stempelring	
8	1118580	1	Rep.Sæt F. Omløbsventil	
9	101119410	1	Rep. Sæt Pakninger	
10	6100925	1	Stempel til omløbsventil	
11	6101784	1	Ventilkegle	
12	2600286	1	Fjeder	
13	3000460	1	O-Ring 11X2 Nitril	
14	3913	1	Skruer M6X12	
15	6100985	1	Låseskive	
16	6100940	1	Justerskrue	
17	6100928	1	Kontramøtrik	
18	1118512	1	Rep. sæt sikkerhedsventil	
19	1602333	1	"Rørprop 1/8" "	
20	6101042	1	Ventildæksel	
21	6100996	1	Styrestift	
22	1800465	8	Møtrik M10	
23	6100602	1	Spændering	
24	6301392	1	Ring F. Motorpumpeenhed	
25	1821	1	Fitting	
26	107141616	1	FITTING ANGLE COMPLETE	
27	107141614	1	SCREW FITTING	



Pos.	Vare-nr	Antal	Beskrivelse	Notes
1	1119406	1	Rep. sæt kontraventil	
2	101118033	2	Screw M3X6 Brass Din 84 Iso 1207 Kit	
3	106408216	1	REED SWITCH	
4	107144112	1	Injektor - Na5	
5	107141982	1	OIL PLUG W/O-RING AND MAGNET NA5.2	
6	1801075	2	Tætningsskive 3/8"	
7	107141432	1	BANJO SCREW COMPLETE	[1]
8	101119411	1	Rep.Sæt Stempel F.Flows	
9	107141430	1	PLUG FOR SWITCH COMPLETE	
10	1801075	1	Tætningsskive 3/8"	
11	6101038	1	Stempel	
12	1600493	1	Ergo højtrykskobling DN10 3/8" han	
12	1603101	1	Ergo højtrykskobling DN10 RF han	[2]
13	107144076	1	OUTLET FITTING C3 FA	

## Part Notes:

- [1] - TSB-PPW-2016-019 MC 7P Banjo bolt complete 107141432, can break  
 DE TSB-PPW-2016-019 MC 7P Hohlschraube komplett 107141432, kann brechen
- [2] - INOX



Pos.	Vare-nr	Antal	Beskrivelse	Notes
1	106403122	1	Ergo 2000 spulehåndtag m. svivel	[1]
1	106403154	1	Ergo 2000 spulehåndtag uden logo	[2]
2	106403010	1	Tornado Plus dyserør u. dyse 112 cm	[3]
3	101119747	1	Tornado Plus dyse 1/8" 0680 Grå	[4]
3	101119748	1	Tornado Plus dyse 1/8" 0700 Rødorange	[5]
4	106402294	1	TurboHammer Plus dyserør 0700 W11 113 cm	[6]
5	106403096	1	PowerSpeed Vario Plus dyserør 0680 109cm	[7]
6	6101766	1	Højtryksslange 10 m dobbelt-wire DN10	[8]
6	1402064	1	Højtryksslange 15 m dobbelt-wire DN10	[8]
6	1402072	1	Højtryksslange 20 m dobbelt-wire DN10	[8]
6	6101767	1	Højtryksslange 10 m sværtefri DN10	[8]
7	6401243	1	Ekstern skuminjektør m. omløb RF	[9]
8	106403142	1	Sandfilter m. beslag	[10]
8	106403144	1	Svømmertank kit	[11]
8	106403165	1	Sandfilter m. RF beslag	[12]

## Part Notes:

- [1] - ERGO 2000 Spray handle
- [2] - UNITOR
- [3] - TORNADO PLUS lance
- [4] - 7-67
- [5] - 7-52 US
- [6] - 7-67 FAXT  
TURBOHAMMER PLUS lance
- [7] - POWERSPEED VARIO PLUS lance
- [8] - HOSES Overview
- [9] - 7-67 FBFA  
Foam injector
- [10] - SANDFILTER KIT POSEIDON 5-6-7 from September 2012
- [11] - WATER BRAKE TANK POSEIDON 5-6-7 from September 2012
- [12] - SANDFILTER FOR WBT POSEIDON 5-6-7 from September 2012



Pos.	Vare-nr	Antal	Beskrivelse	Notes
	101118106	1	HOSE GUIDE BRAKE COMPLETE KIT	
	101118111	1	HOSE GUIDE KIT	
	101118102	1	HOSE REEL HANDLE KIT	
	101118104	1	SPRING AND LOCK NUT KIT	
	107141632	1	CABLE HOOK	
	107141667	1	LOCK WASHER	
	107141653	1	MANOMETER TUBE FA MODELS	
	107141679	1	HOSE GUIDE SLEEVE OPEN	
	107141633	1	TERMINAL BLOCK 4Q PE	
	107141627	1	SCREW K50X40 T20	
	107141635	1	Flaske til rengøringsmiddel 2,5 liter	
	107141664	1	CAP FOR DETERG. TANK WITH VALVE MOUNTED	[1]
	107141615	1	RUBBER FOOT	
	107141629	1	HOSE HOOK	
	107141634	1	REAR END	
	107141671	1	RUBBER ELBOW C3	
	101118103	1	HOSE GUIDE PARTS KIT	
	107141669	1	WATER INLET PIPE C3	
	107141648	1	MANOMETER 0-300 BAR - 1/4"	
	107141630	1	LANCE HOLDER NA	
	107141650	1	PLATE FOR MANOMETER	
	107141676	1	SWIVEL SCREW FOR HOSE REEL	
	101118105	1	Bremse og styre kit til slangerulle	
	101118101	1	HANDLE KIT	
	107141663	1	RUBBER GROMMET	
	107141690	1	SCREW M5X12 DIN7985 TORX TAPTITE	
0A	101119848	1	Valve Kit Inlet/Outlet	[2]
0A	6101069	1	Låsering F. Fjederstyr	[2]
0A	1119195	1	Rep. sæt ventilsystem	[2]
0A	107144112	1	Injektør - Na5	[2]
0A	6100925	1	Stempel til omløbsventil	[2]
0A	101119411	1	Rep.Sæt Stempel F.Flows	[2]
0A	1119310	1	Rep. sæt til ventiler	[2]
0A	1119570	1	Rep. sæt pakninger C3	[2]
0A	106408216	1	REED SWITCH	[2]
0A	101117926	1	Filter	[2]
0A	1119820	1	Rep. sæt olietætning 03	[2]
0A	1119571	1	Rep. sæt (pakningssæt, reduceret)	[2]
0A	6101784	1	Ventilkegle	[2]
0B	1118512	1	Rep. sæt sikkerhedsventil	[3]
0C	107141666	1	PCB POSEIDON 5-6-7	[4]
0C	107140617	1	Rear Bearing Cover	[4]
0C	63910	1	KONTAKTOR	[4]
0C	103822304	1	Contactactor Cjx2-D18-P7 230 V	[4]
0C	64773	1	Hjælpekontakt	[4]
0C	107120710	1	Skråskive 6	[4]
0C	103822303	1	Contactactor Cjx2-D18-V7 400	[4]
0C	63910	1	KONTAKTOR	[4]
0C	103822308	1	Contactactor Cjx2-D25-V7 400	[4]
0C	107120704	1	Lejeskive	[4]
0C	107140967	1	START RELAY RVA4N0C	[4]
0C	107120750	1	Motor 6,5Kw/400-415/230/ 3	[4]
0C	101117948	1	CAPACITOR 70UF 400/450V DOUBLE FASTON	[4]
0C	107140615	1	Front Bearing Cover Compl Ete	[4]
0C	3200623	1	Leje	[4]
0C	107120716	1	Skråskive 12	[4]
0C	3200664	1	Nåleleje	[4]
0C	107120752	1	MOTOR 6.5KW 200 3 50	[4]
0C	107120757	1	MOTOR 5.0KW 208 230 1 60	[4]

Pos.	Vare-nr	Antal	Beskrivelse	Notes
0C	301001058	1	Start/stop kontakt	[4]
0C	3200615	1	Rulleleje	[4]
0C	103822314	1	CONTACTOR CJX2-D32 32A 230V 3P+NO	[4]
0C	1119406	1	Rep. sæt kontraventil	[4]
0C	107120708	1	Skråskive 4	[4]
0C	301000402	1	Modstand	[4]
0C	3200656	1	Nåleleje Ina K 40X46X17	[4]
0C	107120753	1	MOTOR 6.5KW 200 3 60	[4]
0C	301000263	1	Fuse 0,63A/500V/T Ø6 3X32	[4]
0C	107120751	1	MOTOR 6.5KW 440 220 3 60	[4]

## Part Notes:

- [1] - PRUNED
- [2] - A
- [3] - B
- [4] - C



