

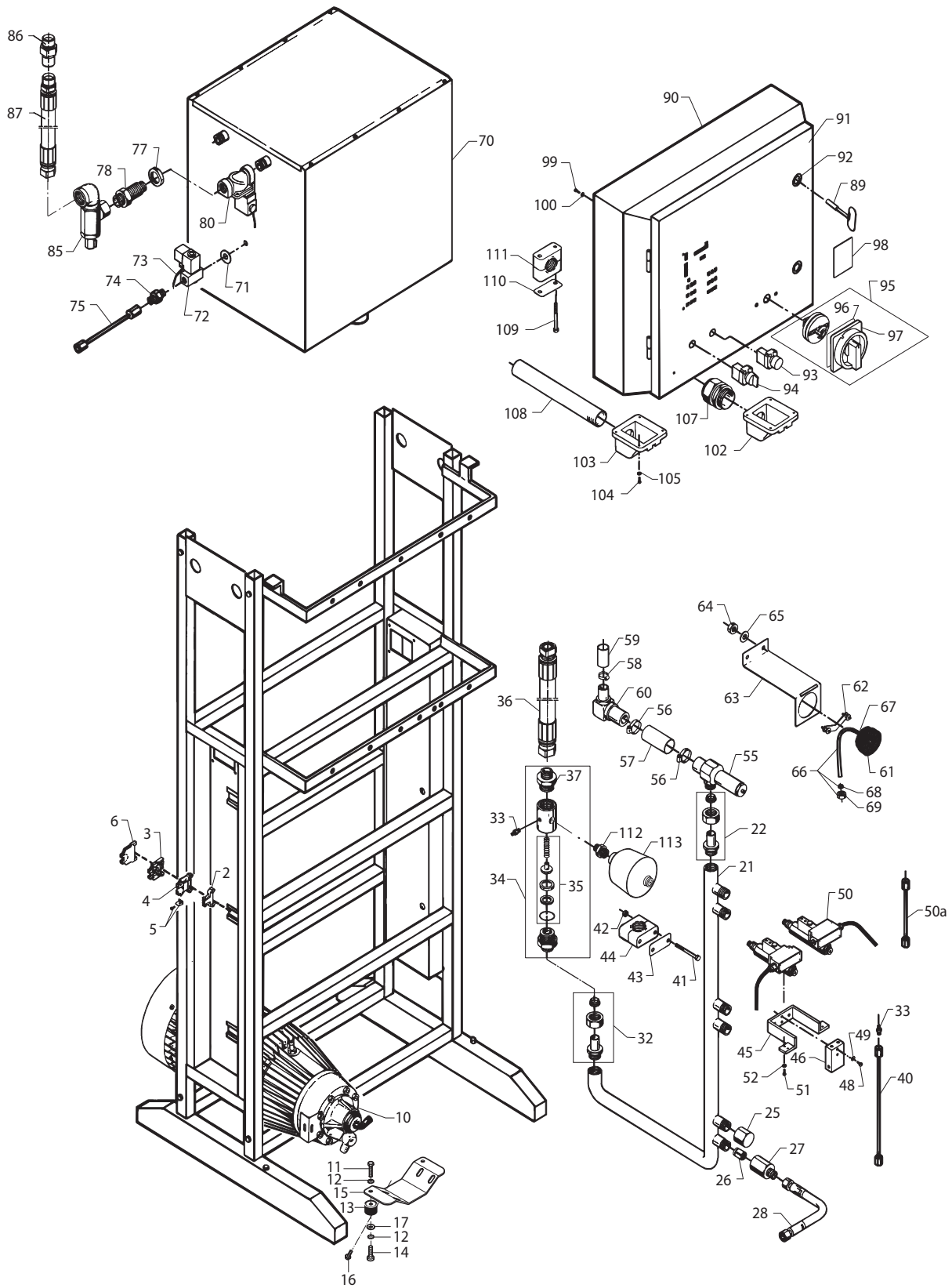
PARTS LIST



2017.04.21

TABLE OF CONTENTS

Overview	1
Chassis	4
Power module box, 2 & 3 pumps	6
Power module box	8
Overflow valve	11
Overflow switch	13
Motor	15
Cylinder block	18
Valve cover	20
Pressostat	22
Water tank	24
Solenoid valve	26
Water inlet	28
Interface for alarm	30
Low oil safety cutout	32
Recommended spare parts	34

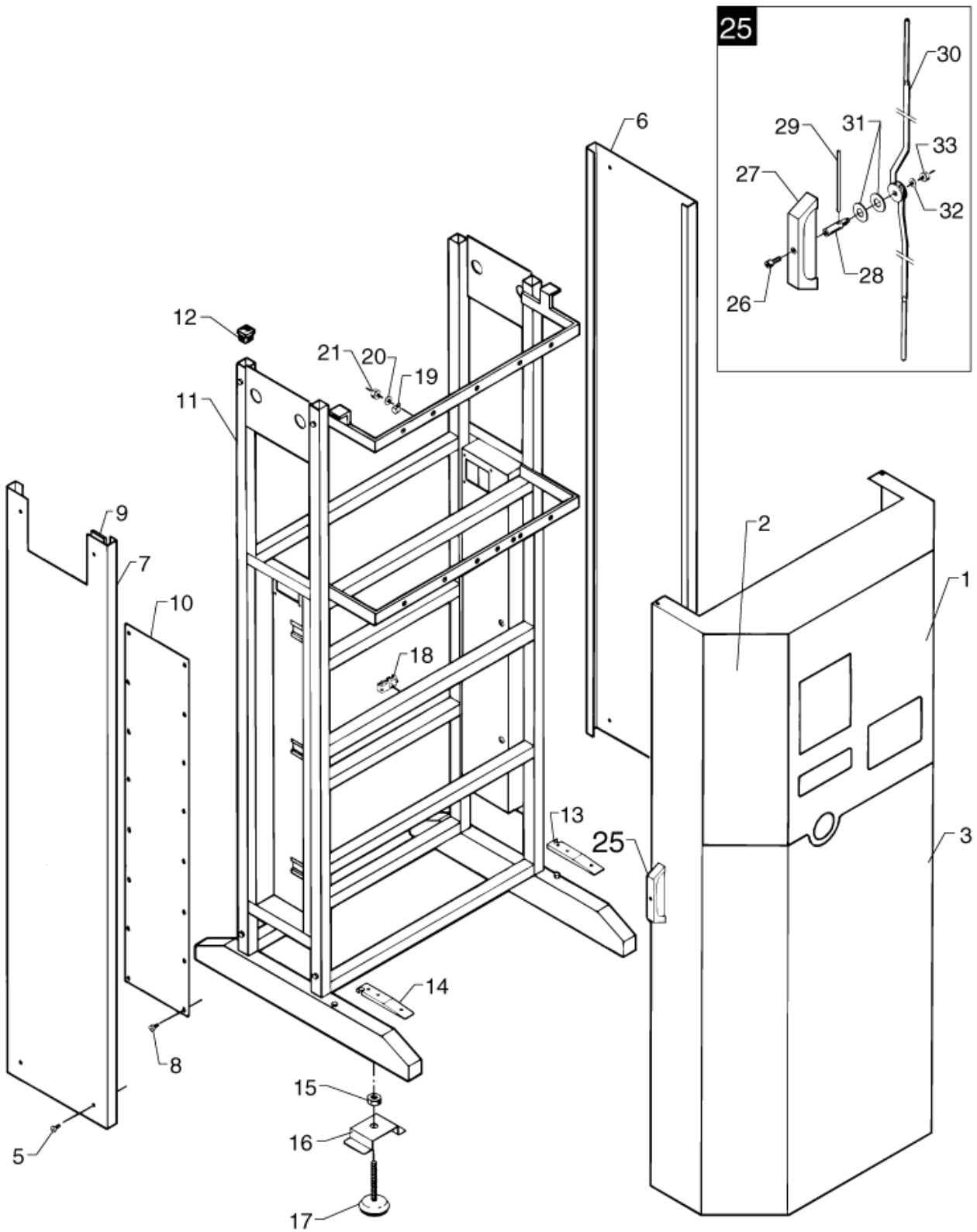


Pos.	Vare-nr	Antal	Beskrivelse	Notes
2	3812203	1	END STOP	
3	3807260	30	TERMINAL STRIP 9700 A/8 S35	
4	3807518	12	Rækkeklamme	
5	3807286	6	SHORT-CIRCUIT BRIDGE STRAP	
6	3817483	6	Klemmerække, Jord	
10		1	Motor pump unit	[1]
11	1810266	4	Sætskrue M8X12 Din 933 Rf	
12	1810274	8	Stjerneskrue M8	
13	1803048	4	Svingningsdæmper Ø30	
14	1802115	4	Skrue M8X40	
15	107307211	2	Beslag For Pumpe	
16	1802651	8	Taptite Skrue M10X25	
17	1802917	16	Plan Skive M8 Rf	
21	7302050	1	Manifold	
22	101119417	1	Rep-Sæt Skærreringsforskr.	[2]
25	7302040	4	Plug	
26	6300080	2	Indsugningsventil	
27	7302029	2	Hus F. Kontraventil/Manif	
28	7302031	2	Afgangsslange Komp. Rf.	
32	101119418	1	Fitting	[3]
33	1603422	6	Ligeforskrning Ø4 x 1/8"	[4]
34	7302045	1	Kontraventil F. Manifold	
35	1119831	1	Rep.Sæt For Kontraventil	
36	1405574	1	Højtryksslange, Kompl.	
37	107302071	1	LOCK NIPPLE W. PIN AND O-R	
40	7302053	1	Kobberrør Kpl.	[5]
41	1814594	6	HEXAGON SOCKET HEAD CAP SCREW	
42	33158	6	LOCK NUT M6 A2 DIN 985	
43	7302022	3	PLATE FOR 35 PIPE CLAMP	
44	1609298	3	BRACKET FOR PIPE 35 MM	
45	7303048	1	FITTING FOR PRESSURE SWITCH	
46	7303008	1	Distributor Block	
48	1805381	2	SCREW M6X25	
49	1813807	2	Skive M6XØ18 Rf	
50	7302047	1	Pressostat Komp.	
50a	7302043	2	Rør L=200Mm	
51	1814595	4	Screw M4X10	
52	1802982	4	SPRING WASHER M4	
55	7302048	1	Overstrømsventil	
56	1810225	2	Spændebånd 19-44, Rustfri	
57	107305054	1	Slange, L:500Mm	[6]
58	1810332	1	Spændebånd	
59	101406056	1	"Plast Slange 1"" Arm. L:1M"	
60	7302049	1	Overstrømskontakt	
61	3600301	1	Manometer	
62	1808088	1	Spændestykke F. Manometer	
63	7302051	1	MOUNTING PLATE- PRESSURE GAUGE	
64	1801905	2	Møtrik M8	
65	1802917	2	Plan Skive M8 Rf	
66	107307210	1	Pipe For Pressure Gauge	
67	1602127	1	"Manometerring 1/4"" "	
68	1603448	1	Skærring Ø4	[7]
69	1603430	1	Omløber Ø4	[7]
70		1	Water tank	[8]
71	1810241	2	"Selvtættende Skive 1/4""Rg , Rf"	
72	3804812	1	Huba Magnetventil	
73	3808151	1	Spole 24V 50Hz	
74	1601046	1	Nippelmuffe 1/4X1/8	
75	7302053	1	Kobberrør Kpl.	

Pos.	Vare-nr	Antal	Beskrivelse	Notes
77	20862	4	Møtrik	
78	6304262	2	Skotforskruning	
80		1	Solenoid valve	[9]
85		1	Water inlet	[10]
86	1608561	2	"Brystnippel 1""	
87	1404805	2	"Tilgangsslange 1"" "	[11]
89	3821562	2	Key	
90		1	Power modul	[12]
91	7309069	1	TRANSFER EL-BOX LABEL 500X470MM	
92	3821563	2	LOCK. COMPL.	
93	3821512	1	Trykafbryder No	
94	3821499	1	Drejeafbryder	
95	3821519	1	Hovedafbryder	
96	6303274	1	Pakning	
98	6420025	1	Lampeprint	
99	1802909	4	SCREW M8X16	
100	1802917	4	Plan Skive M8 Rf	
102	7306008	1	ANGLE FLANGE GREY	
103	7306007	2	FLAP FLANGE GREY	
104	1802933	20	SCREW M6X22 ISO4017 A2	
105	1813807	20	Skive M6Xø18 Rf	
107	3819695	1	CABLE GLAND PG36	[13]
108	5226287	2		[14]
109	1814557	4	SCREW M6X80 DIN912-12.9	[15]
109	1809862	4	Skruer Insex M6 x 65	
110	7302021	2	PLATE FOR CABLE FIXTURE	[16]
110	7302022	2	PLATE FOR 35 PIPE CLAMP	[17]
111	1609297	2	BRACKET FOR PIPE 30MM	[16]
111	1609298	2	BRACKET FOR PIPE 35 MM	[17]
112	7302055	1	Brystnippel	
113	4600575	1	Trykudligner	

Part Notes:

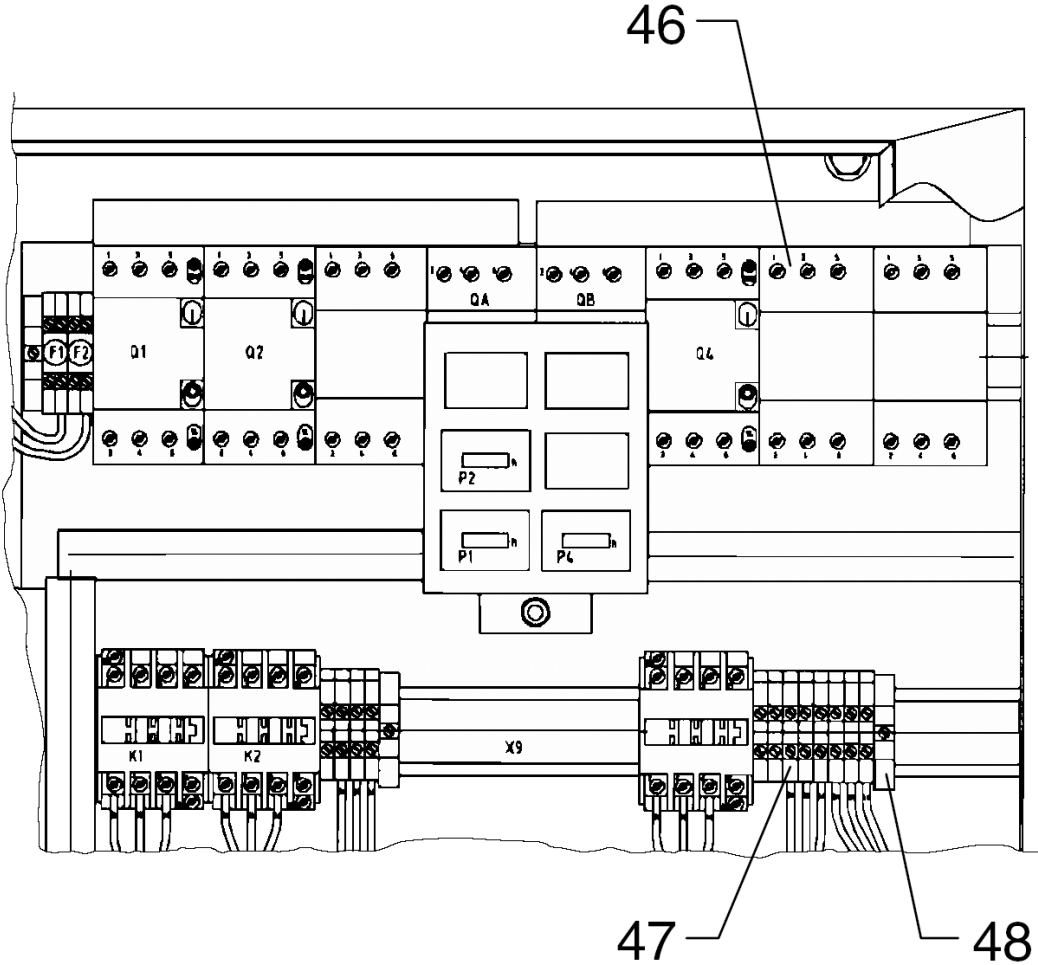
- [1] - Motor pump unitMotor pump unit (a), Motor pump unit (b), Motor pump unit (c)
- [2] - ĩ18
- [3] - ĩ22
- [4] - ĩ 4-1/8"
- [5] - L=1120
- [6] - L=110
- [7] - ĩ 4
- [8] - Water tank
- [9] - Solenoid valve
- [10] - Water inlet
- [11] - 1"
- [12] - Power module box
- [13] - PG36
- [14] - L=400
- [15] - NO LONGER USED
- [16] - 30MM
- [17] - 35MM



Pos.	Vare-nr	Antal	Beskrivelse	Notes
01	7309071	1	Tranfer Front Delta Boost	
02	7309067	2	Transfer, Sider Alto	
03	7303013	1	FRONT COVER	[1]
05	1814375	8	SCREW M6X12 A2 ISO 7380	
06	7303000	1	1.2014T PART	[1]
07	7303001	1	CABINET, WATER INLET SIDE	
08	1804475	32	Skrue M5X12 ISO 14583-A2 TORX	
09	5218637	4		
10	7303049	2	COVER PLATE	
11	7303050	1	CHASSIS	[1]
12	4600854	4	Dupsko 30X30X2 Sort	
13	7303044	2	Sliding Rail Right	[2]
14	7303043	2	Sliding Rail Left	[3]
15	1810068	4	NUT M12	
16	6301440	2	Beslag F. Maskinsko	
17	4602422	4	Maskinsko	
18	7306017	6	SUPPORT FOR CABLE	
19	1814607	7	CABLE CLIP 1/2	
20	1807999	7	WASHER M5 5.3X10X1	
21	1801885	7	NUT HEX M5 ISO 4032 A2-70	
25		1	Cremona bolt compl.	[4]
26	1814593	2	Insex M6X16 Rf	
27	7303010	2	Håndtag	
28	7303054	2	Aksel For Håndtag	
29	7303016	2	Aksel Ø6	
30	7303005	2	CREMONE BOLT	
31	7303017	4	Afstandsbøsning, Plast	
32	1813807	2	Skive M6XØ18 Rf	
33	1805399	2	Låsemøtrik M/Nylonring M6	

Part Notes:

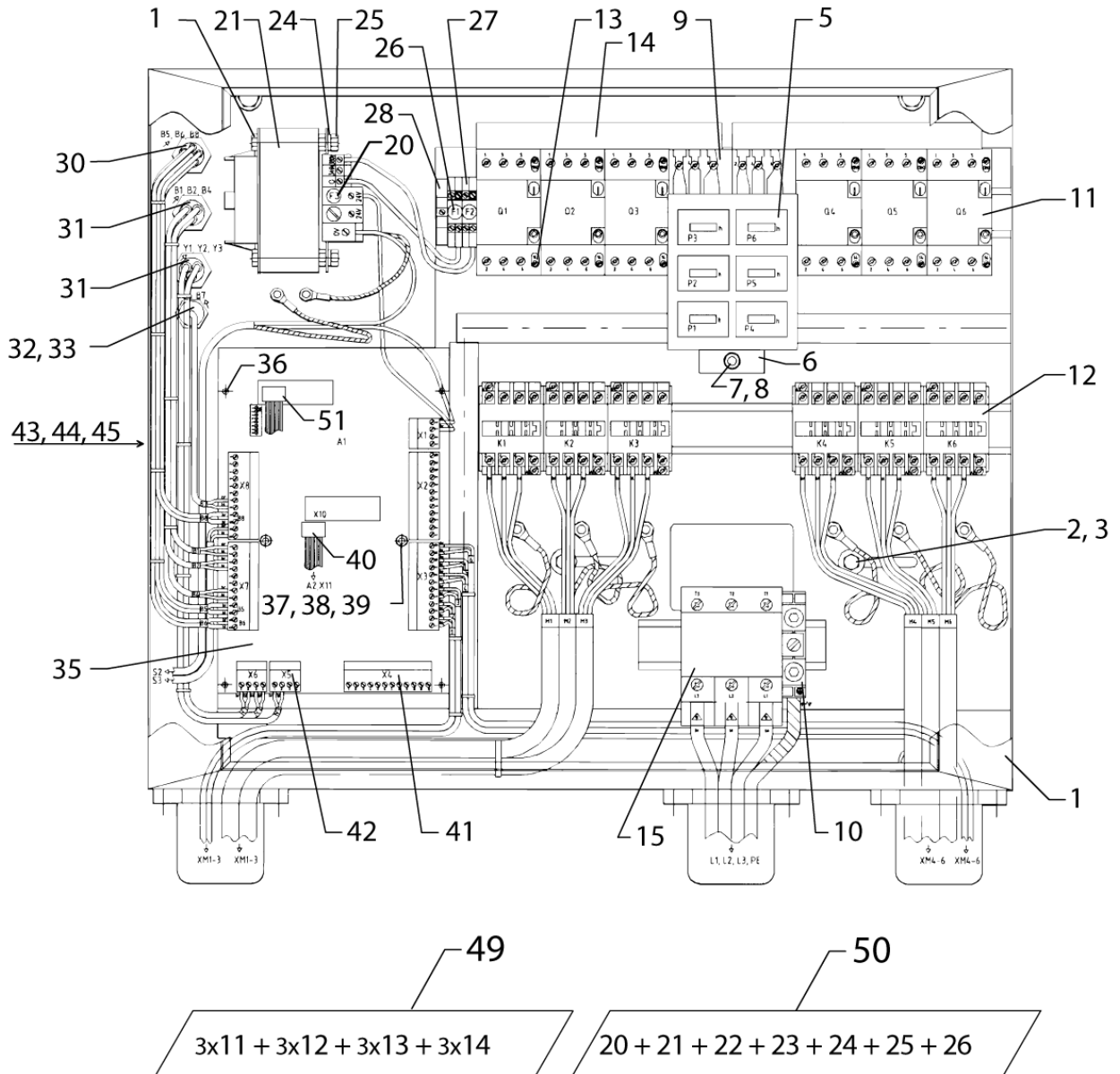
- [1] - INITIATE URGENT REQUEST
- [2] - RIGHT
- [3] - LEFT
- [4] - Cremona bolt compl.



Pos.	Vare-nr	Antal	Beskrivelse	Notes
46	107307207	3	TERMINAL COVER	[1]
46	3821573	1	COVER CLAMP	[2]
47	3807518	9	Rækkeklemme	
48	3805249	2	Endeholder	

Part Notes:

- [1] - From week 34 2009
- [2] - Up to week 34 2009

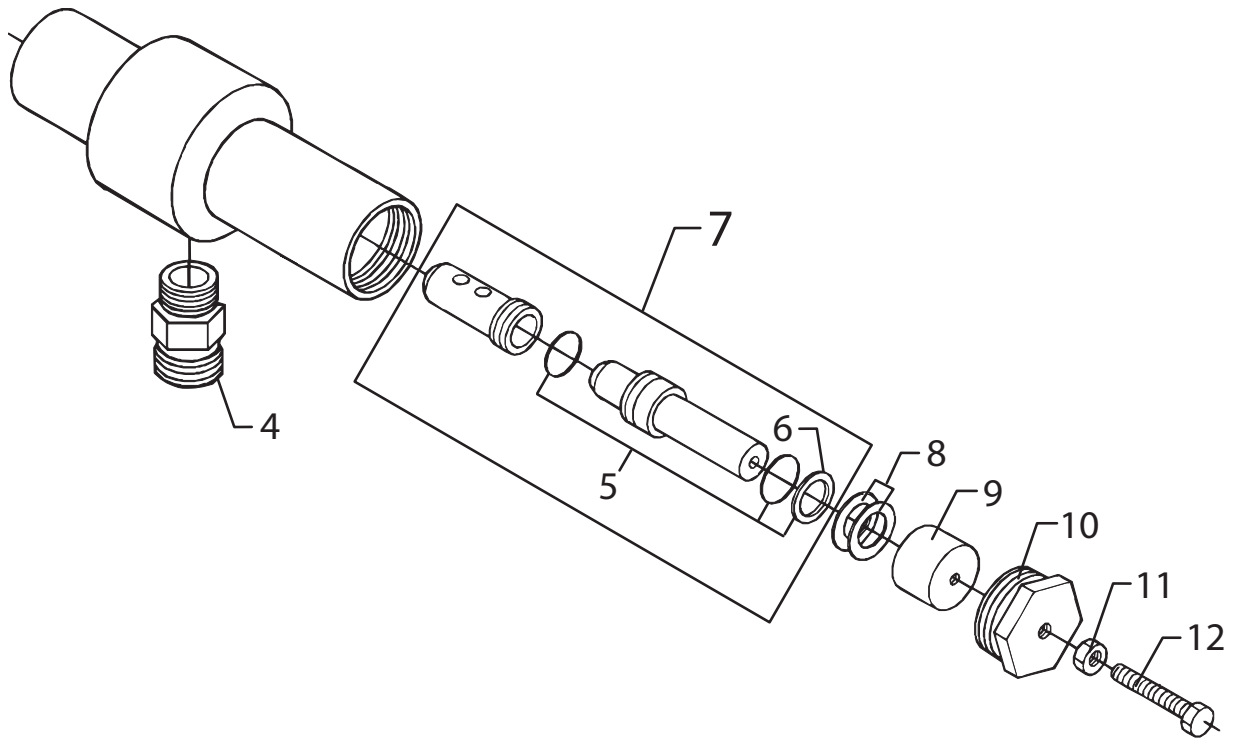


Pos.	Vare-nr	Antal	Beskrivelse	Notes
0-	107306149	1	FOLD-OUT GASKET FOR EL BOX	
0-	3803772	1	CABLE GROMMET TET 7-10C	
01	1810316	2	BOLT HEX M6X60-8.8 A2K ISO 4014	
02	1804475	2	Skruer M5X12 ISO 14583-A2 TORX	
03	1813807	2	Skive M6Xø18 Rf	
05	7306011	3	Timer, 60Hz	[1]
05	7306010	3	Time-Tæller, 50Hz	[2]
06	7306018	1	CABLE FIXTURE	
07	1800903	1	TOOTHED LOCK WASHER	
08	1801893	1	NUT M6 ISO 4032 A2-70	
09	107307205	2	Forbindelsesblok	[3]
10	3817558	1	TERM. STRIP EARTH WKN35 SL/U	
11	103821898	3	Relæ, 10-16A	[4]
11	3817319	1	Maximalafbryder 3-25-16	[5]
11	103821903	3	OVERCURRENT RELAY 18-25A	[6]
12	103822317	3	Contacteur Cjx2-D32-B7 24V	[7]
12	103822306	3	Contacteur Cjx2-D18-B7 24V	
12	103822313	3	Contacteur 12-25A 50/60Hz 24V	[8]
13	3817343	1	Hjælpekontakt	[5]
13	107307206	3	Hjælpekontakt	[9]
14	107307208	2	Sampleskinne	[10]
14	3817699	1	CONNECTING RAIL	[11]
15	3821519	1	Hovedafbryder	
20	3819745	1	Fuse Ø25X20	
21	3817640	1	Transformator 427-440V	[12]
21	3817673	1	Transformator 346-380 V	[13]
21	3817665	1	TRANSFORMER 200-220V 50/60HZ	[14]
23	1810316	2	BOLT HEX M6X60-8.8 A2K ISO 4014	
24	1800903	4	TOOTHED LOCK WASHER	
25	1800705	2	Møtrik M6	
26	3819521	2	Sikring Ø5X25	[15]
26	3819539	2	Sikring Ø5X25	
27	3808003	2	Klemrække F. Sikringshus	
28	3805249	1	Endeholder	
30	3821564	1	CABLE GLAND PG16/6X13	[16]
31	3819711	3	CABLE GLAND PG16 3X7	
32	3800745	1	CABLE LEAD-IN	
33	3800802	1	LOCK NUT PG 9 PLASTIC	
35	7306029	1	Elektronisk Styling	
36	3819588	4	TIE ROD RICHØ LCBS-18 28.6 MM	
37	6302402	2	TIE ROD BRASS	
38	1810308	4	STAR WASHER M4 INTERN.TOOTHING	[17]
39	1802974	4	Møtrik M4	
40	7306016	1	FLAT CABLE	[18]
41	3817525	5	Klemliste	[19]
42	3817533	3	Klemliste	[20]
43	1814606	3	CABLE CLIP 1	
44	1807999	3	WASHER M5 5.3X10X1	
45	1801885	3	NUT HEX M5 ISO 4032 A2-70	
46	3821573	1	COVER CLAMP	[5]
46	107307207	1	TERMINAL COVER	[10]
47	3807518	9	Rækkelemme	
48	3805249	2	Endeholder	
49	107307204	1	CONTACTOR/OVERLOAD CUT-OUT KIT	[21]
49	107307203	1	Contacteur/Overload	[22]
50	6423560	1	TRANSFORMER/FUSE KIT	[23]
50	6423561	1	Transformer/Fuse Kit	[24]
50	6423559	1	KIT FOR TRANSFORMER/FUSE346V	[25]
51	3821694	1	FLAT CABLE	[26]

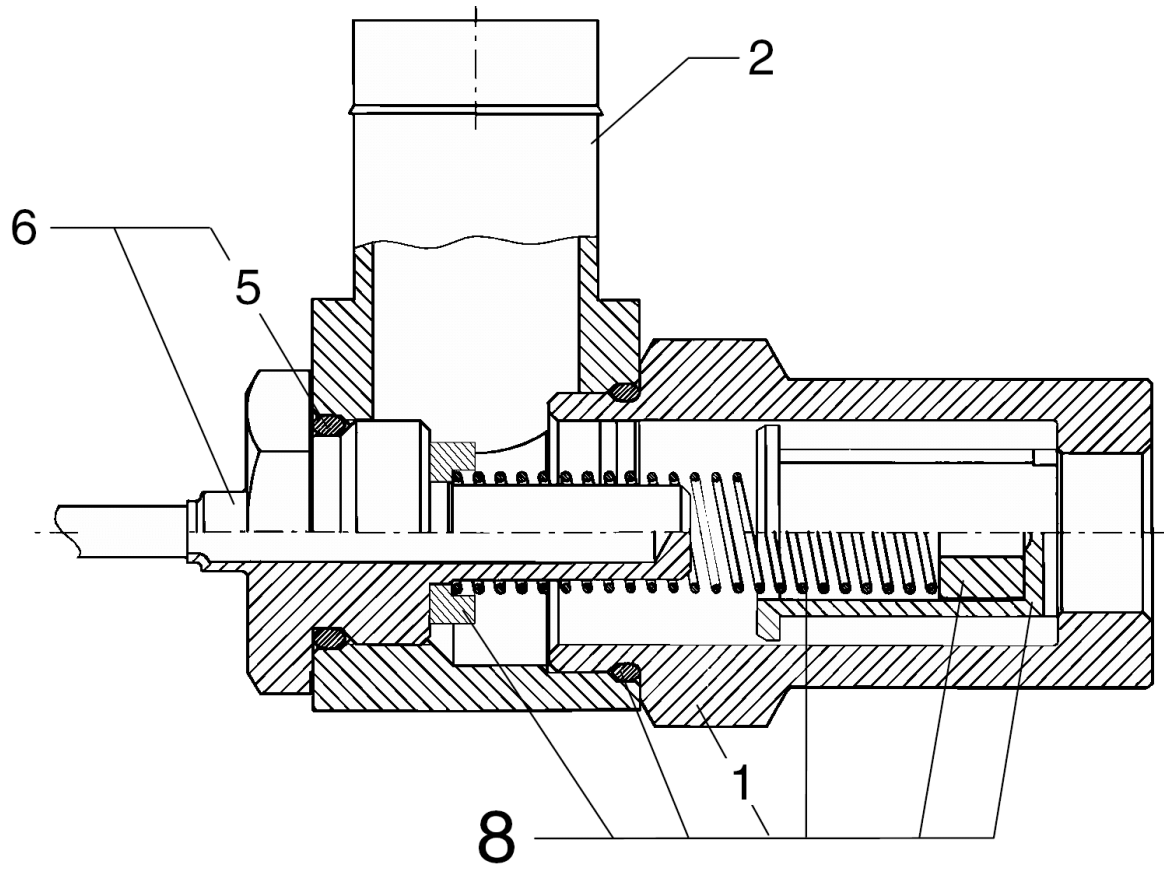
Pos.	Vare-nr	Antal	Beskrivelse	Notes
52	107307209	1	Wire Kit Thick Wires Delt A	[10]

Part Notes:

- [1] - 60HZ
- [2] - 50HZ
- [3] - See TSB no.TSB-PPW-2009-003
- [4] - 3X400-415V, 50HZ, From week 34 2009
- [5] - Up to week 34 2009
- [6] - 3X230V,50HZ, See TSB no.TSB-PPW-2009-003
- [7] - UP TO 31.12.99
- [8] - FROM 01.01.00
- [9] - 3 ~, from week 34 2009
- [10] - From week 34 2009
- [11] - Up to week 34 2009
CLOSED WHEN STOCK EMPTY
- [12] - 427-440V, 50/60HZ
- [13] - 346-380V, 50/60HZ
- [14] - 200-220V, 50/60HZ
NO LONGER AVAILABLE
- [15] - CLOSED WHEN STOCK EMPTY
- [16] - UP TO 01.05.98
- [17] - STOCK COVERS GUARANTEE
- [18] - UP TO 01.12.98
GUARANTEE DATE EXPIRED
- [19] - 12-POL. TYPE 8113BC
- [20] - 4-POL. TYPE 8113BC
- [21] - 3X220-230V, 50/60HZ
CLOSED WRONG SET UP
- [22] - 3X400-415V, 50/60HZ
- [23] - 346-380V
NO LONGER AVAILABLE A KIT
- [24] - 427-440V
- [25] - 200-220V
- [26] - FROM 01.12.98



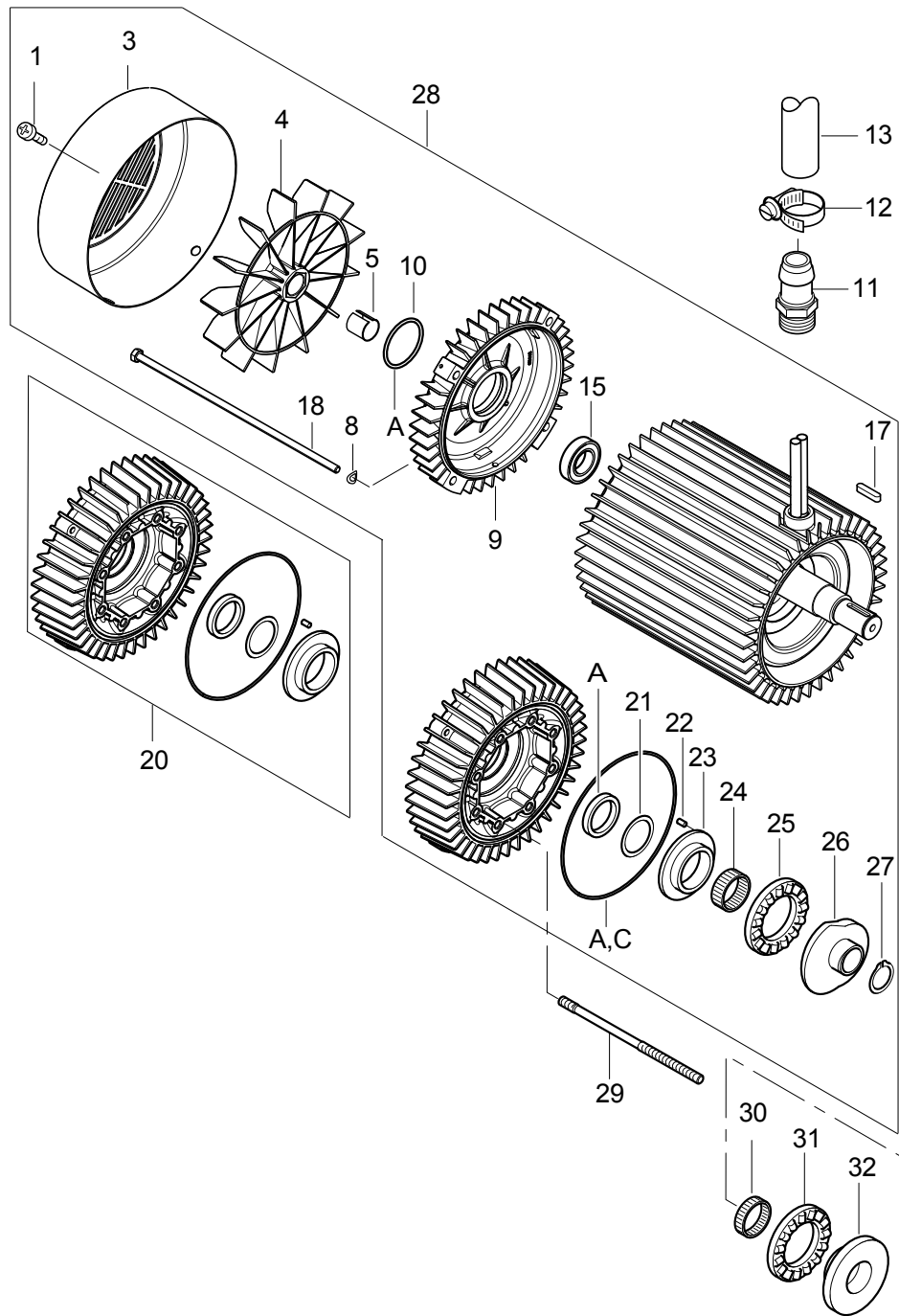
Pos.	Vare-nr	Antal	Beskrivelse	Notes
0-	7302048	1	Overstrømsventil	
4	1608256	1	Connection 18X1/2 Inch	
5	101118176	1	SEAL KIT FOR OVERFLOW VALVE DELTA B.	
6	3001302	1	Støttering O156-24	
7	1119031	1	Rep.Sæt Overstrømsventil	
8	2600328	22	Fjeder Tallerken	
9	6300268	1	Fjederstyr	
10	6300269	1	NUT FOR OVERFLOW VALVE	
11	1801905	1	Møtrik M8	
12	1809961	1	Sætskrue M8X35 Din 558 Rf	



Pos.	Vare-nr	Antal	Beskrivelse	Notes
0-	7302049	1	Overstrømskontakt	
01	7302059	1	CYLINDER HOUSING FOR OVERFLOW SWITCH	[1]
02	7302036	1	INLET HOUSING FOR OVERFLOW SWITCH	
05	3000825	1	O-ring 20,24 x 2,62 Nitril	
06	6221773	1	Reedkontakt Komp.	
08	1119404	1	Sæt Overstrømningskontakt	

Part Notes:

[1] - FROM 24.11.98

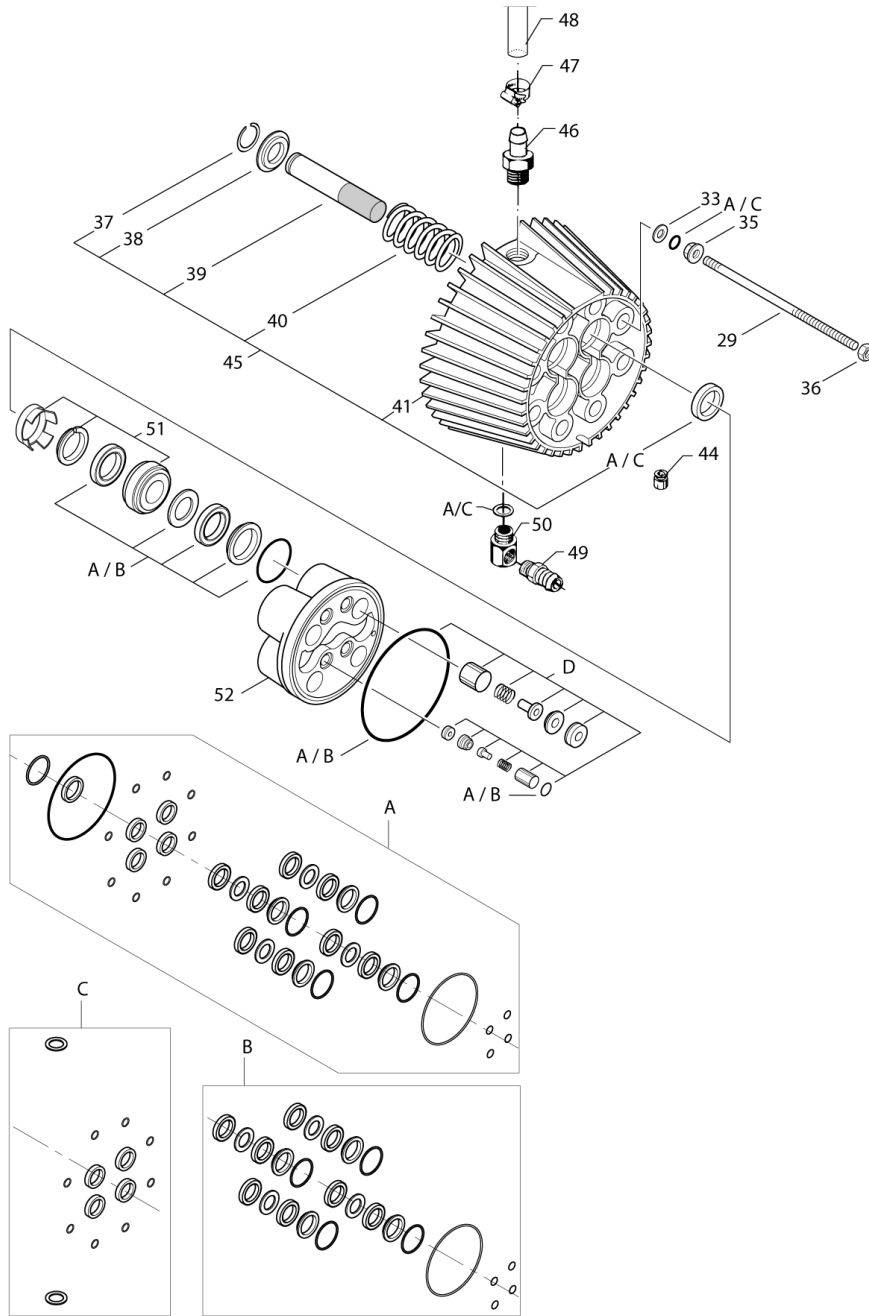


Pos.	Vare-nr	Antal	Beskrivelse	Notes
0-	107300036	1	C3 MPU 100BAR 5.5KW 230/400V 50HZ	[1]
0-	7300032	1	Motorpump. Kpl. V+H 3X415	[2]
0-	7300030	1	Motorpump.V+H 3X400/3X230	[3]
0-	7300034	1	Motorpump. Kpl. V+H 3X440	[4]
00	6100611	1	N-Lejedæksel	[5]
00	5218433	1	Pumpeolie ISO 150 (1 liter)	[6]
1	1803543	2	Taptiite M4X10	
3	6100609	1	Ventilatorskærm	[7]
3	107142276	1	COVER FOR FAN	[8]
4	6100607	1	Ventilatorvinge m. lås	[7]
4	107142275	1	FAN AND RETAINING RING	[8]
5	1802503	1	Låsering Ø25 x Ø25	
8	1801182	8	Fjederskive M8	
9	107140617	1	Rear Bearing Cover	[9]
9	107142277	1	REAR BEARING COVER	[8]
10	107318244	1	O-RING 51.6X2.4 NBR70	
11	7302028	1	Bush	
12	1810191	2	Spændebånd 13-27 A4 (SS)	
13	5226253	1	Siliconeslange	[10]
15	3200623	1	Leje	[7]
15	31000149	1	Leje, Rf	[8]
17	3200672	1	Feder	
18	6100711	8	Stagbolt F. Statorhus	
18	6100712	8	Stagbolt F. Statorhus	[11]
20	6101750	1	D-Lejedæksel Komp. 03	[12]
20	107140615	1	Front Bearing Cover Compl Ete	[13]
21	6100995	1	Skive	
22	6100996	1	Styrestift	
23	107120703	1	Lejeskive	
24	3200656	1	Nåleleje Ina K 40X46X17	
25	3200615	1	Rulleleje	
26	107120708	1	Skråskive 4	[14]
26	107120714	1	Skråskive 10	[15]
26	107120716	1	Skråskive 12	[16]
27	1802511	1	Seegerring U 28 X 1,5	
28	7300070	1	C3 MOTOR 160BAR 5.5KW 230/400V 50HZ	[3]
28	7300072	1	C3 MOTOR 160BAR 5.5KW 230/400V 60HZ	[17]
28	107300073	1	C3 MOTOR 100BAR 5.5KW 230/400V 50HZ	[1]
28	7300071	1	Motor Kpl. 3x415v 50HZ	[2]
29	6301368	8	Stagbolt	
30	3200664	1	Nåleleje	
31	3200615	1	Rulleleje	
32	107120704	1	Lejeskive	
A	1119570	1	Rep. sæt pakninger C3	
B	1119571	1	Rep. sæt (pakningssæt, reduceret)	[18]
C	1119820	1	Rep. sæt olietætning 03	

Part Notes:

- [1] - 5,5kW - 230V/400V 50Hz 3ph - DELTA/STAR 100BAR
- [2] - 5,5kW - 400-415V/690V 50Hz 3ph - DELTA/STAR 160BAR
- [3] - 5,5kW - 230V/400V 50Hz 3ph - DELTA/STAR 160BAR
- [4] - 5,5KW - 220V/440V 60Hz 3ph - DELTA/STAR 160BAR
- [5] - ATB UP TO WEEK 32/09
- [6] - 0,5 l
- [7] - EME – has EME letter on the motor type plate
- [8] - RF – has Nilfisk letter on the motor type plate
- [9] - EME – has EME letter on the motor type plate FROM WEEK 32/09
- [10] - L=185
- [11] - STOCK COVERS GUARANTEE

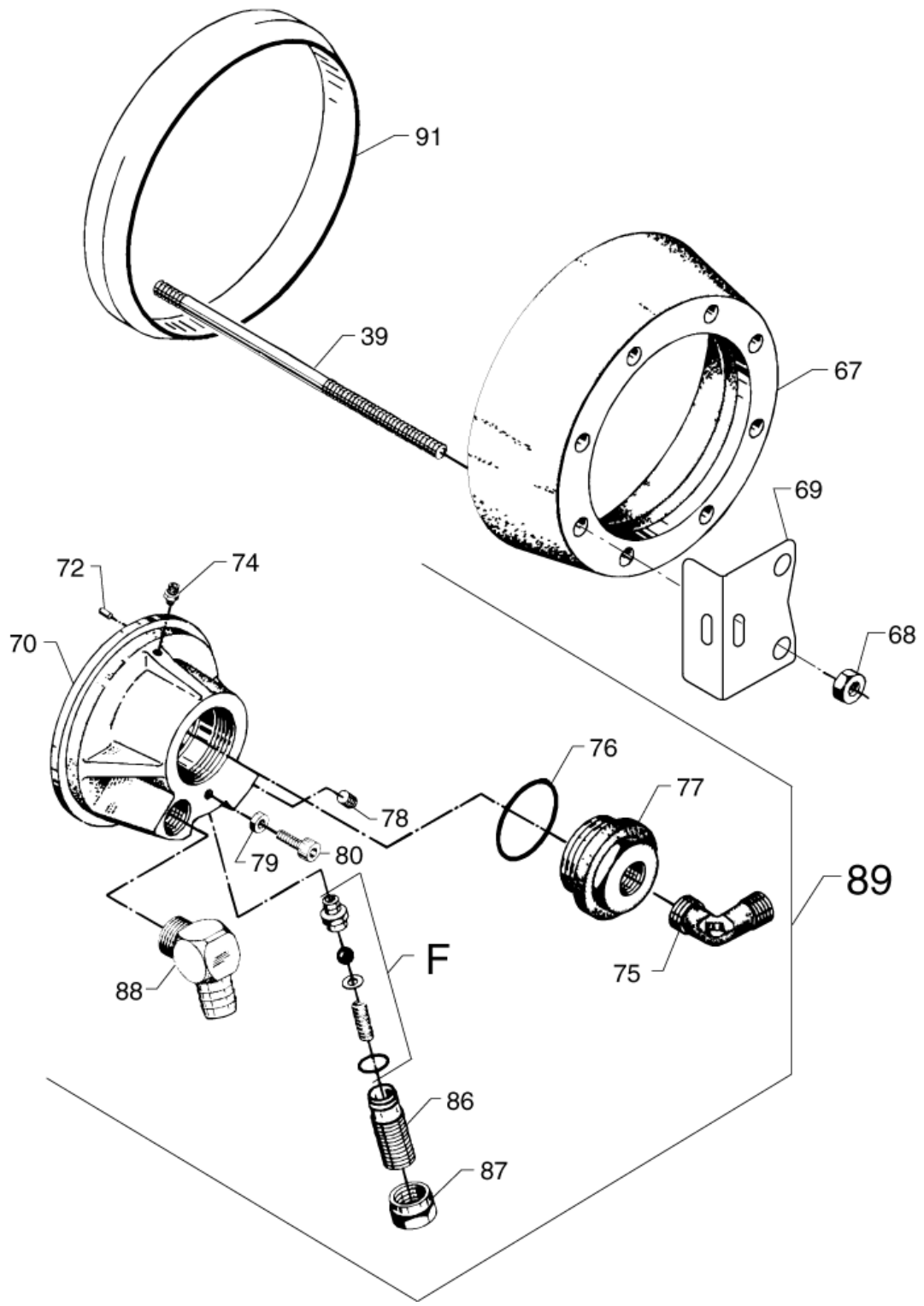
- [12] - TSB-PPW-2011-013 C3 Pump information
- [13] - FROM WEEK 32/09 TSB-PPW-2011-013 C3 Pump information
- [14] - 160BAR, 4, 60 HZ
- [15] - 160BAR, 10, 50 HZ
- [16] - 100BAR, 10, 50 HZ
- [17] - 5,5KW - 220V/400-440V 60Hz 3ph - DELTA/STAR 160BAR
- [18] - TSB-PPW-2016-011 Rep kit 1119571 and 1119570 potential have wrong O-ring in kit
DE TSB-PPW-2016-011 Rep Kit 1119571 und 1119570 beinhalten möglicherweise einen falschen O-Ring



Pos.	Vare-nr	Antal	Beskrivelse	Notes
A	1119570	1	Rep. sæt pakninger C3	[1]
B	1119571	1	Rep. sæt (pakningssæt, reduceret)	[1]
C	1119820	1	Rep. sæt olietætning 03	
D	1119195	1	Rep. sæt ventilsystem	
33	6100718	8	Skive F. Stagbolt	
35	6100719	8	Trykring	
36	1800465	8	Møtrik M10	
37	1802529	4	Seeger Springring	
38	6100666	4	Ring til returfeder	
39	6301166	4	Trykstempel keramik C3	
40	102602517	4	Returfeder C3K	
41	6100610	1	Cylinderblok	
44	6100919	1	Dryptud	
45	6300071	1	Cylinderblok Komp.	
46	1600568	1	"Slangestuds Ø12,5 X ½" "	
47	1805100	2	Spændebånd 8-20 Mm	
48	5226295	1	Slange,oliebestandig	[2]
49	7302042	1	Slangestuds	
50	7302041	1	Nipple	
51	101119850	4	Rep.Sæt Trykring/Back-Up	
52	107120701	1	Cylinder	

Part Notes:

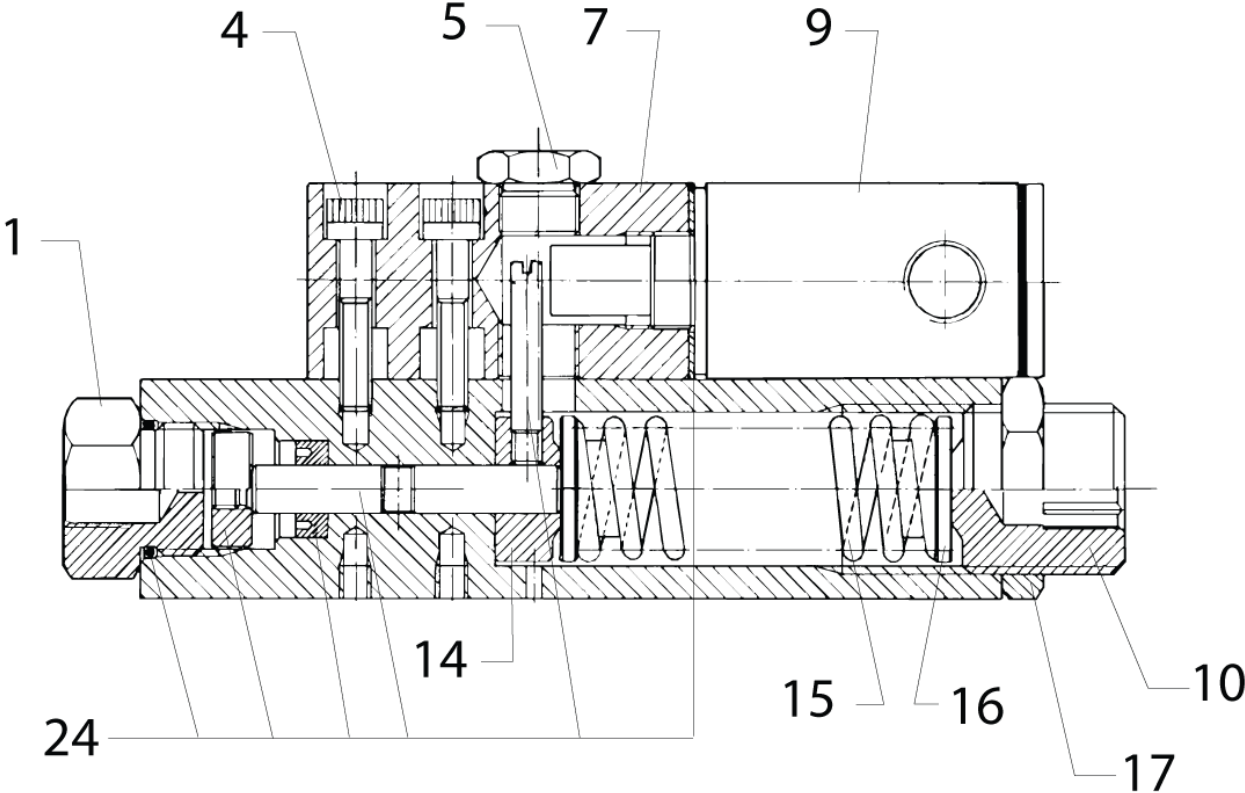
- [1] - TSB-PPW-2016-011 Rep kit 1119571 and 1119570 potential have wrong O-ring in kit
DE TSB-PPW-2016-011 Rep Kit 1119571 und 1119570 beinhalten möglicherweise einen falschen O-Ring
- [2] - L=600



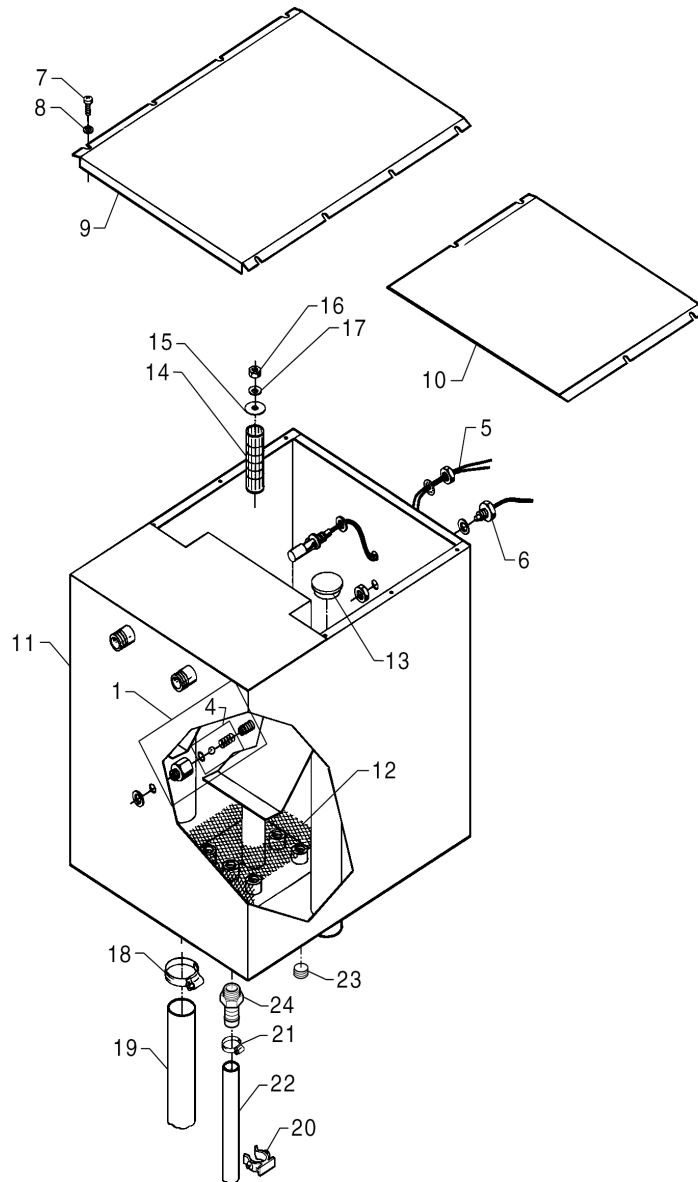
Pos.	Vare-nr	Antal	Beskrivelse	Notes
F	1118512	1	Rep. sæt sikkerhedsventil	
67	6100602	1	Spændering	
68	1800465	8	Møtrik M10	
69	7302052	1	Oil Fitting	[1]
70	107307252	1	Klepdeksel	
72	6100996	1	Styrestift	
74	6300250	1	Udluftningsskrue	
75	1606110	1	"Vinkelforskr. Ø12X3/8""Krg "	
76	3001096	1	O-Ring 32,5X3 Nitril	
77	7302024	1	Prop	
78	1602333	1	"Rørprop 1/8"" "	
79	6100985	1	Låseskive	
80	3913	1	Skrue M6X12	
86	6100940	1	Justerskrue	
87	6100928	1	Kontramøtrik	
88	1609304	1	Vinkel	
89	7300061	1	By-Pass Ventil, Komplet	
91	6301392	1	Ring F. Motorpumpeenhed	

Part Notes:

[1] - See link to updated part (jan. 2008)



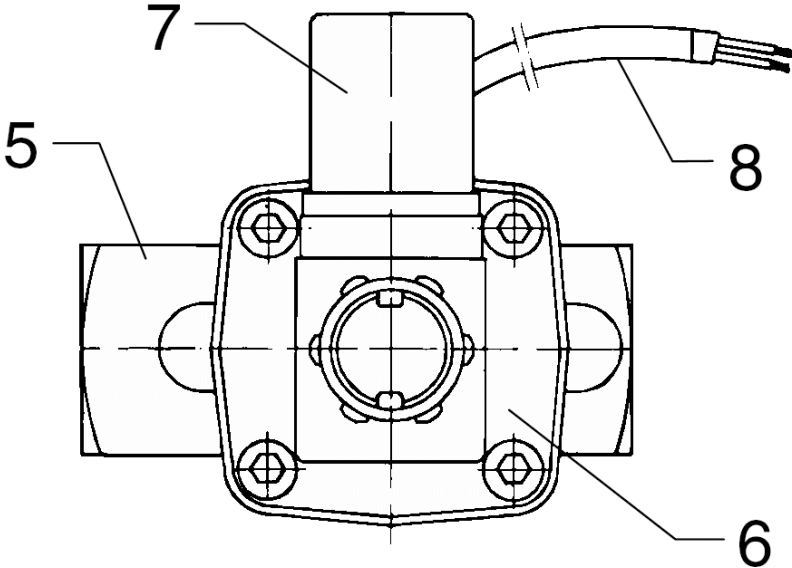
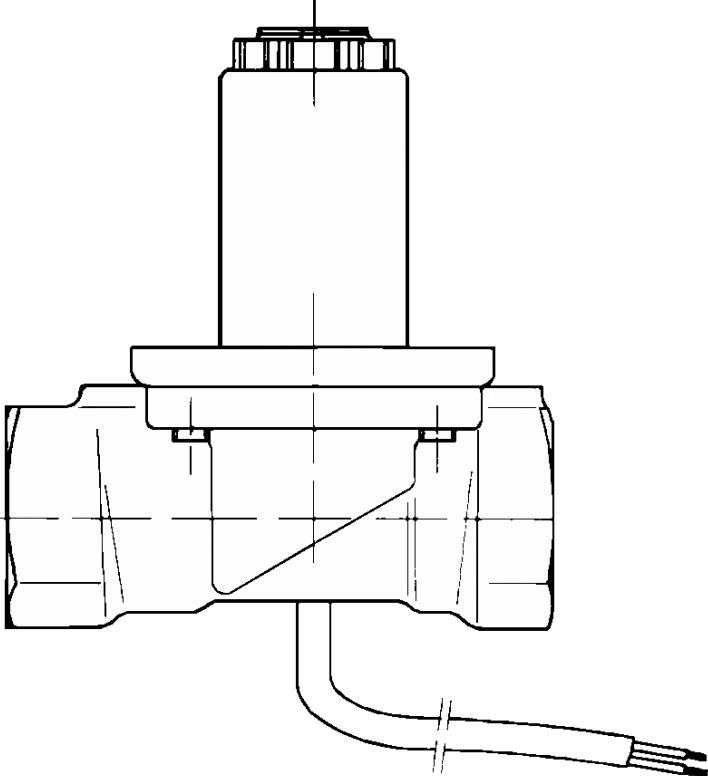
Pos.	Vare-nr	Antal	Beskrivelse	Notes
0-	7302047	2	Pressostat Komp.	
01	6300513	2	CONNECTIONPLUG	
04	1810001	4	Screw M4X22	
05	1800564	2	SCREW M10X1	
07	3600384	2	BRACKET FOR SWITCH	
09	3802170	2	Kontakt Kisling	
10	3600335	2	LOCK NUT	
14	3600392	2	PRESSURE CONE	
15	2600377	2	SPRING FOR PRESSURE SWITCH	
16	6300329	4	THRUST PLATE	
17	3600350	2	REGULATING SCREW	
21	7302047	2	Pressostat Komp.	
24	1119034	1	Rep.Sæt F.Pressostat	



Pos.	Vare-nr	Antal	Beskrivelse	Notes
0-	5208533	1	SILASTIC 732 RTV	
1	6300152	1	Aflastningsventil Komp.	
4	1119029	1	Rep.Sæt Aflastningsventil	
5	3817582	3	Niveauføler, Mps	
6	6420251	1	Føler F.Temp.Reg.+Overk'.	
7	101814797	8	Skrue M5X12	
8	1807999	8	WASHER M5 5.3X10X1	
9	7305032	1	Låg For Vandtank, Kpl.	[1]
10	7305034	1	COVER FOR WATERTANK SPAREPART	[2]
11	7305010	1	Vandtank	
12	7305013	1	Si For Vandtank	
13	4601154	1	Prop	[3]
14	7305031	1	Si For Returrør	
15	7305030	1	Spændeskive for returrør	
16	1801893	1	NUT M6 ISO 4032 A2-70	
17	2772	1	LOCK WASHER 6	
18	1810225	1	Spændebånd 19-44, Rustfri	
19	5226022	1	Black Rubber Hose	[4]
20	7306027	2	Kabelclips	[5]
21	1810191	2	Spændebånd 13-27 A4 (SS)	
22	106408242	1	HOSE 5/8INCH - 2 METERS	[6]
23	1603325	4	"Rørprop 1/2" "	
24	6300262	2	Slangestuds	

Part Notes:

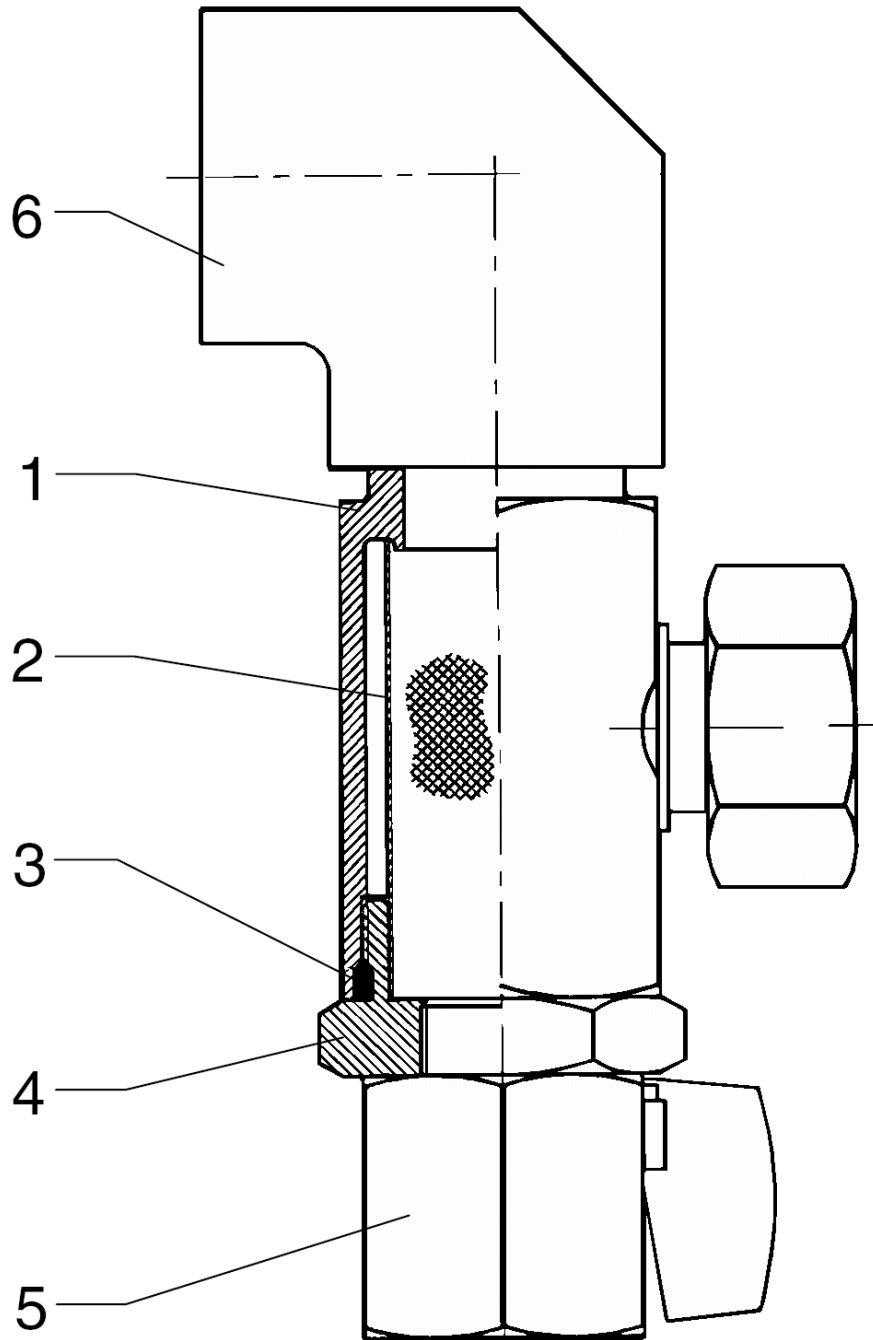
- [1] - UP TO 01.09.98
GUARANTEE DATE EXPIRED
- [2] - FROM 01.09.98
- [3] - To seal - Use Silastic 5208533
- [4] - See NOTE - L=1100
- [5] - NO REPLACEMENT
- [6] - L=690



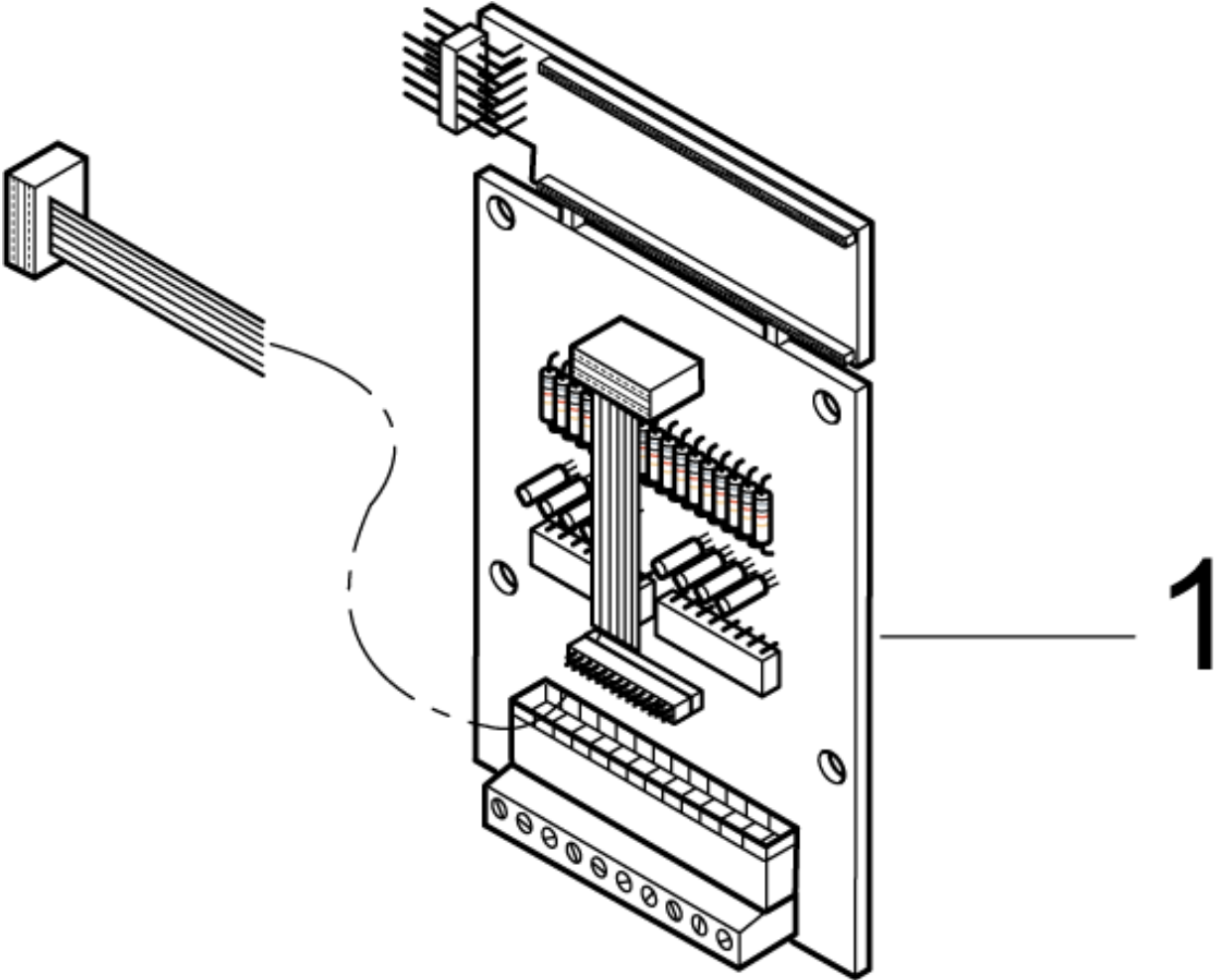
Pos.	Vare-nr	Antal	Beskrivelse	Notes
00	3403177	1	Magnetventil 24V	[1]
00	3403169	1	Magnetventil 24V	[2]
05	3401726	1	Ventil U/Spole Evsi 18	[3]
05	3401727	1	Ventil U/Spole Evsi20	[4]
06	3808151	1	Spole 24V 50Hz	
07	3808144	1	AMP.SOCKET F. SOLENOID VALVE	
08	6302296	1	MOTOR EARTH CABLE	[5]

Part Notes:

- [1] - EVSI-20, 24V - 50 HZ / 60 HZ - Hot
- [2] - EVSI-18, 24V - 50HZ / 60 HZ- Cold
- [3] - WITHOUT COIL, EVSI-18
- [4] - WITHOUT COIL, EVSI-20
- [5] - 2X0,75



Pos.	Vare-nr	Antal	Beskrivelse	Notes
01	6304295	1	Filterhus, Komp. Rf	
02	6301270	1	Filter	
03	3001096	1	O-Ring 32,5X3 Nitril	
04	6301354	1	Bundskrue F. Filterhus	
05	6300165	1	Aftapningsshane Komp.	
06	1608298	1	"Vinkel 1" "Gevind Rf "	



Interface for alarm

DELTA BOOSTER / SC DELTA

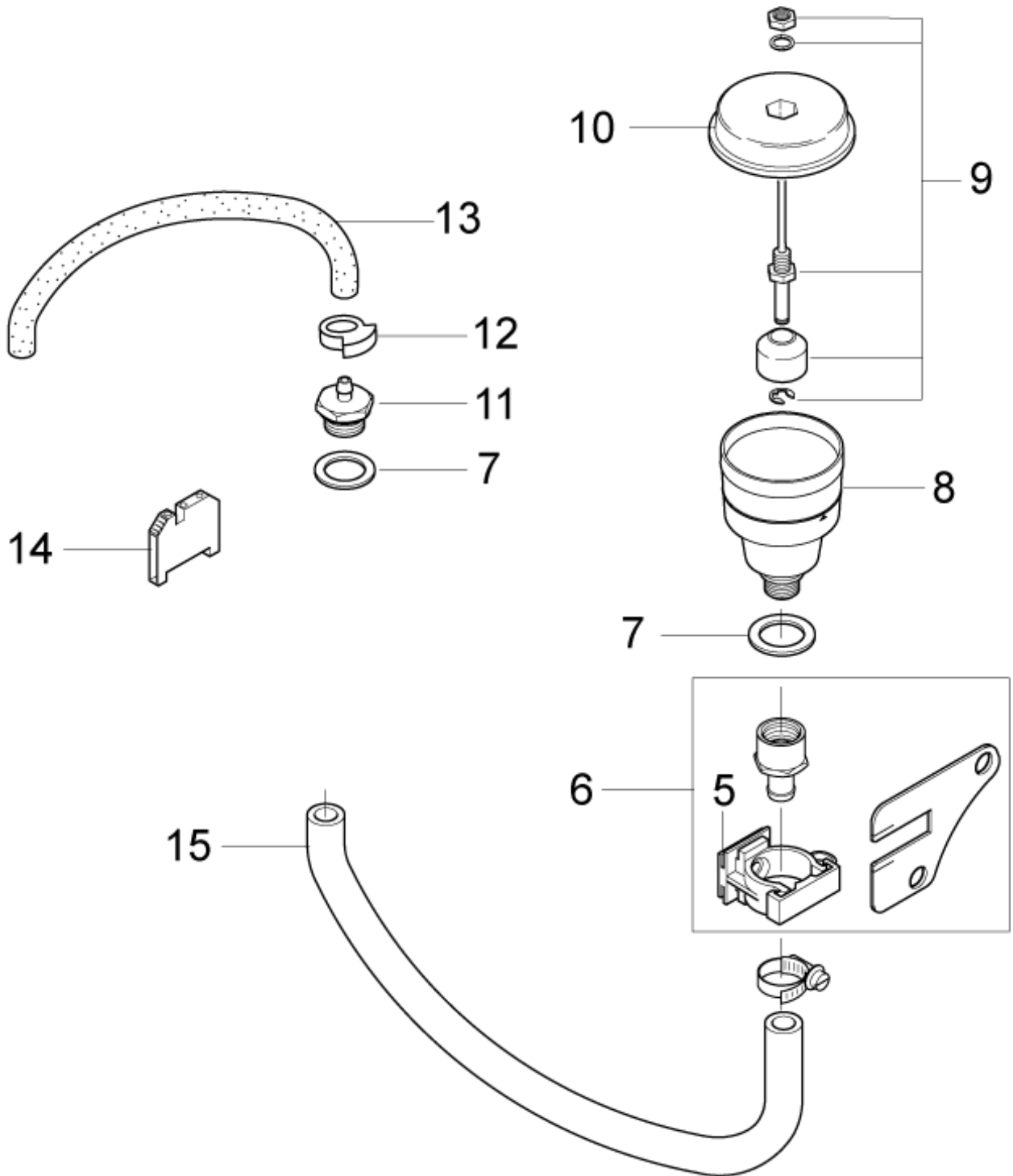
2015.05.19

2013.04.02

Pos.	Vare-nr	Antal	Beskrivelse	Notes
01	6420023	1	Interface For Fjernalarm	[1]

Part Notes:

[1] - STOCK COVERS GUARANTEE



Pos.	Vare-nr	Antal	Beskrivelse	Notes
0-	107370960	1	Kit For Olieniveau	
5	104601175	1	BRACKET FOR PIPE 25MM	
6	107307051	1	Rep.Sæt For Oliebeholder	
7	1807932	2	Selvtættende Spændeskive	
8	301000614	1	Oliebeholder	
9	301001196	1	Float Switch	
10	301000615	1	Dæksel	
11	107120313	1	Slangestuds	
12	1814029	2	Spændebånd	[1]
13	106408241	1	Slange 2M PVC 1/4" transparent	
14	3807518	1	Rækkelemme	
15	5206065	1	"Trykluftslange 1/2" "	

Part Notes:

[1] - GUARANTEE DATE EXPIRED

Pos.	Vare-nr	Antal	Beskrivelse	Notes
0A	3819745	1	Fuse Ø25X20	[1]
0A	6221773	1	Reedkontakt Komp.	[1]
0A	1119404	1	Sæt Overstrømningskontakt	[1]
0A	7305031	1	Si For Returrør	[1]
0A	1119571	1	Rep. sæt (pakningsæt, reduceret)	[1]
0A	1119031	1	Rep.Sæt Overstrømsventil	[1]
0A	3819521	1	Sikring Ø5X25	[2]
0A	1119820	1	Rep. sæt olietætning 03	[1]
0A	1119195	1	Rep. sæt ventilsystem	[1]
0A	1118512	1	Rep. sæt sikkerhedsventil	[1]
0A	1119570	1	Rep. sæt pakninger C3	[1]
0A	6301270	1	Filter	[1]
0A	3819539	1	Sikring Ø5X25	[1]
0B	1119831	1	Rep.Sæt For Kontraventil	[3]
0B	6300080	1	Indsugningsventil	[3]
0B	1803048	1	Svingningsdæmper Ø30	[3]
0C	7300072	1	C3 MOTOR 160BAR 5.5KW 230/400V 60HZ	[4]
0C	3200615	1	Rulleleje	[4]
0C	103822317	1	Contacteur Cjx2-D32-B7 24V	[4]
0C	103822306	1	Contacteur Cjx2-D18-B7 24V	[4]
0C	107120708	1	Skråskive 4	[4]
0C	3817582	1	Niveauføler, Mps	[4]
0C	107307206	1	Hjælpekontakt	[4]
0C	107120704	1	Lejeskive	[4]
0C	1404805	1	"Tilgangsslange 1"" "	[4]
0C	1405574	1	Højtryksslange, Kompl.	[4]
0C	107120716	1	Skråskive 12	[4]
0C	3200664	1	Nåleleje	[4]
0C	101119850	1	Rep.Sæt Trykkring/Back-Up	[4]
0C	107140615	1	Front Bearing Cover Compl Ete	[4]
0C	6301166	1	Trykstempel keramik C3	[4]
0C	3403177	1	Magnetventil 24V	[4]
0C	3817665	1	TRANSFORMER 200-220V 50/60HZ	[5]
0C	3817319	1	Maximalafbryder 3-25-16	[4]
0C	103821903	1	OVERCURRENT RELAY 18-25A	[4]
0C	3808151	1	Spole 24V 50Hz	[4]
0C	1802511	1	Seegerring U 28 X 1,5	[4]
0C	107120701	1	Cylinder	[4]
0C	301001196	1	Float Switch	[4]
0C	6100602	1	Spændering	[4]
0C	6420251	1	Føler F.Temp.Reg.+Overk'	[4]
0C	103822313	1	Contacteur 12-25A 50/60Hz 24V	[4]
0C	3817640	1	Transformator 427-440V	[4]
0C	3817673	1	Transformator 346-380 V	[4]
0C	7300071	1	Motor Kpl. 3x415v 50HZ	[4]
0C	3817343	1	Hjælpekontakt	[4]
0C	107120714	1	Skråskive 10	[4]
0C	7306029	1	Elektronisk Styring	[4]
0C	107300073	1	C3 MOTOR 100BAR 5.5KW 230/400V 50HZ	[4]
0C	7302047	1	Pressostat Komp.	[4]
0C	3403169	1	Magnetventil 24V	[4]
0C	3200656	1	Nåleleje Ina K 40X46X17	[4]
0C	6101750	1	D-Lejedæksel Komp. 03	[4]
0C	103821898	1	Relæ, 10-16A	[4]
0C	7300070	1	C3 MOTOR 160BAR 5.5KW 230/400V 50HZ	[4]
0C	1119034	1	Rep.Sæt F.Pressostat	[4]

Part Notes:

- [1] - A
- [2] - A
CLOSED WHEN STOCK EMPTY
- [3] - B
- [4] - C
- [5] - C
NO LONGER AVAILABLE

