

SCRUBTEC 337.2

Model:
SCRUBTEC 337.2 ALT



Part List US-English

01-03-2015

Table of Contents

SCRUBTEC 337.2

GENERAL VIEW	3
COVER AND TANKS	5
FRAME SYSTEM	7
HANDLE SUPPORT SYSTEM	9
HANDLE SYSTEM	12
MOTOR AND DECK SYSTEM	15
BRUSH DECK SYSTEM	17
ACCESSORIES	19
WIRING DIAGRAM	21
RECOMMENDED SPARE PARTS	23

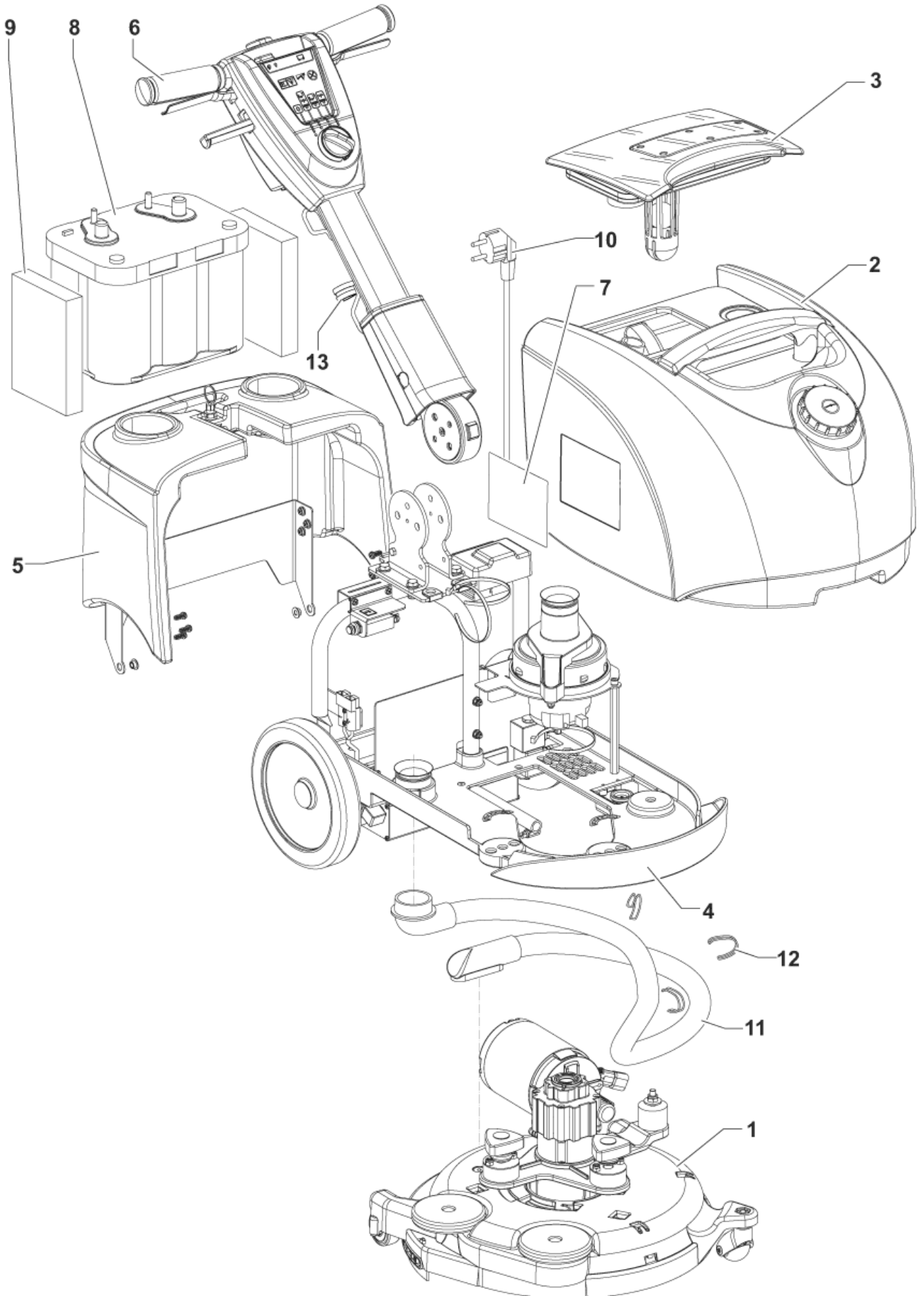
GENERAL VIEW

SCRUBTEC 337.2

01-03-2015

Part List ID
33720010

3



GENERAL VIEW

SCRUBTEC 337.2

01-03-2015

Part List ID
33720010

4

Pos	Part no.	Qty	Description
1		1	USE LINK
2		1	USE LINK
3		1	USE LINK
4		1	USE LINK
5		1	USE LINK
6		1	USE LINK
7	910000081	1	DECALS SRUBTEC 337.2 KIT
8	1464853000	1	BATTERY DISCOVER 12V 84Ah OPTIONAL
8	9098977000	1	BATTERY 12V 55AH
9	9098934000	2	PANEL BATTERY 30X170X110MM
10	909 5676 000	1	CABLE EXTENSION UK PLUG L.1000MM
10	9098676000	1	CABLE EXTENSION EU PLUG L.2000MM
11	9099706000	1	HOSE SUCTION D.25
12	9100000213	1	RINGS SPRING KIT
13	9099301000	1	HARDWARE GENERAL VIEW KIT

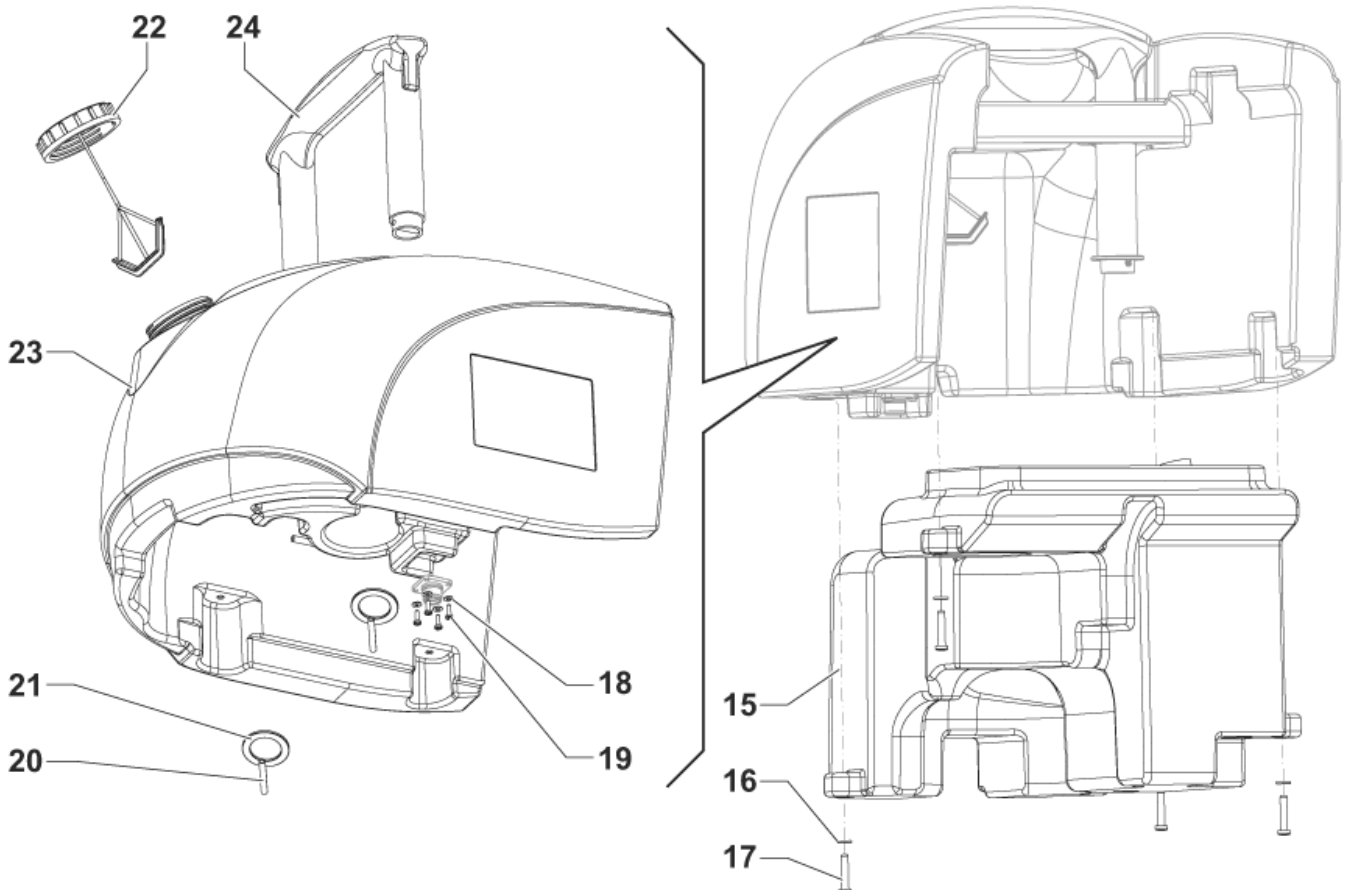
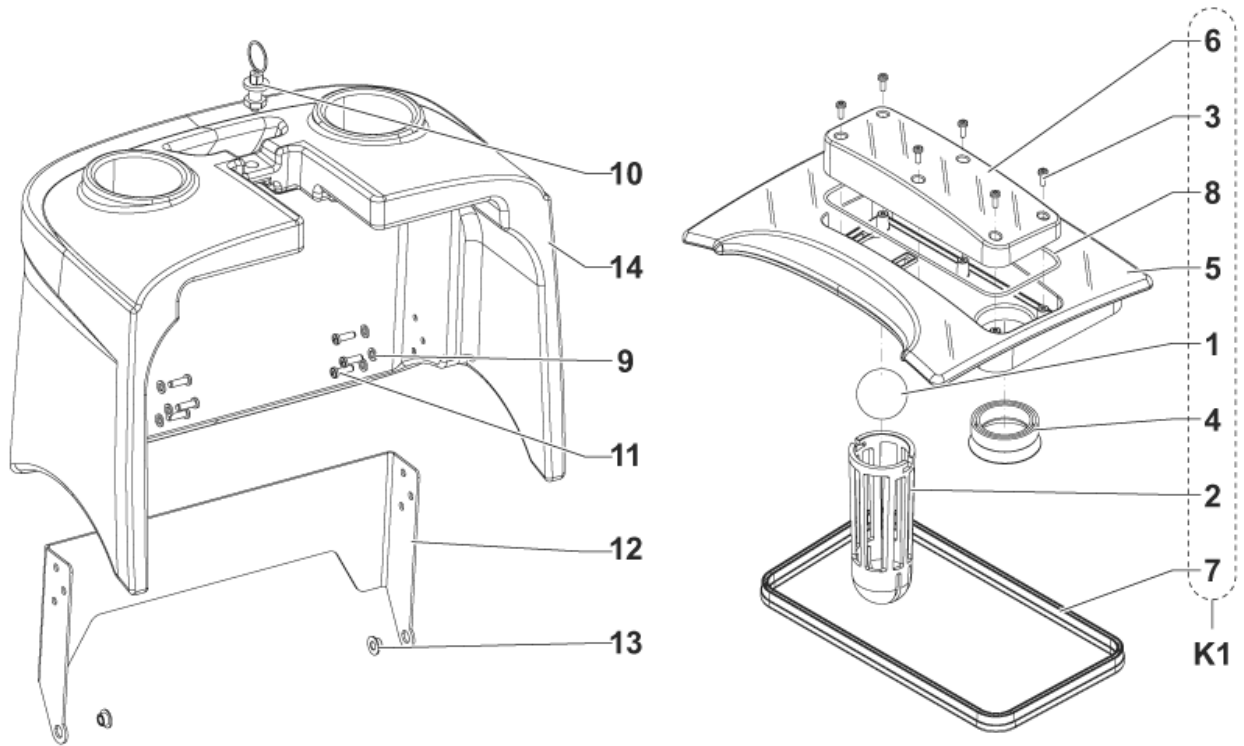
COVER AND TANKS

SCRUBTEC 337.2

01-03-2015

Part List ID
33720020

5



COVER AND TANKS

SCRUBTEC 337.2

01-03-2015

Part List ID
33720020

6

Pos	Part no.	Qty	Description	
1	L08092600	1	BALL FLOATING	K1
2	L08603088	1	CAGE FLOAT	K1
3		6	NOTE COMMENT	K1
4	9098319000	1	GASKET	K1
5		1	NOTE COMMENT	K1
6		1	NOTE COMMENT	K1
7	9099077000	1	GASKET RUBBER L.760MM PKD	K1
8		1	NOTE COMMENT	K1
9		6	NOTE COMMENT	K2
10	1466331000	1	PLUNGER M10 D.6 W/NUT PKD	
11		6	NOTE COMMENT	K2
12	9098309000	1	SUPPORT BATTERY COVER	
13		2	NOTE COMMENT	K2
14	9099079000	1	COVER BATTERY	
15	9099088000	1	TANK RECOVERY BLUE	
16		4	NOTE COMMENT	K2
17		4	NOTE COMMENT	K2
18		4	NOTE COMMENT	K2
19		4	NOTE COMMENT	K2
20		2	NOTE COMMENT	K2
21		2	NOTE COMMENT	K2
22	9100001202	1	CAP THREADED 70X5 PKD	
23	9099087000	1	TANK SOLUTION BLUE	
24	9099089000	1	HANDLE TANK BLUE	
K1	9099302000	1	COVER TANK KIT	includes pos.1,2,3,4,5,6,7,8
K2	9099303000	1	HARDWARE COVER AND TANKS KIT	includes pos.9,11,13,16,17,18,19,20,21-NOT SHOWN

K1 includes pos.1,2,3,4,5,6,7,8

K2 includes pos.9,11,13,16,17,18,19,20,21-NOT SHOWN

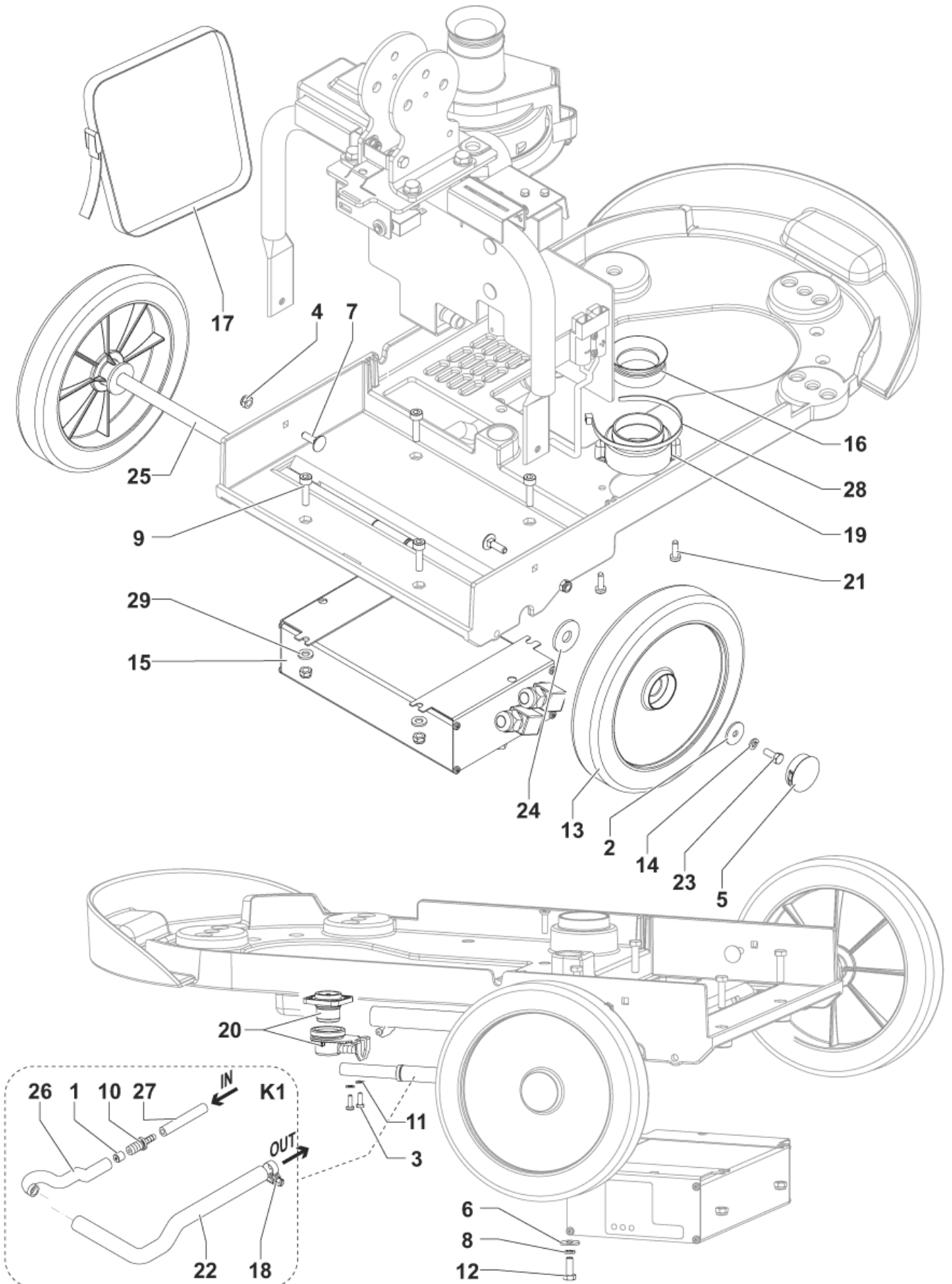
FRAME SYSTEM

SCRUBTEC 337.2

01-03-2015

Part List ID
33720030

7



FRAME SYSTEM

SCRUBTEC 337.2

01-03-2015

Part List ID
33720030

8

Pos	Part no.	Qty	Description	
1		1	NOTE COMMENT	K1
2		2	NOTE COMMENT	K2
3		2	NOTE COMMENT	K2
4		3	NOTE COMMENT	K2
5		2	NOTE COMMENT	K2
6		2	NOTE COMMENT	K2
7		2	NOTE COMMENT	K2
8		3	NOTE COMMENT	K2
9		4	NOTE COMMENT	K2
10		1	NOTE COMMENT	K1
11		2	NOTE COMMENT	K2
12		2	NOTE COMMENT	K2
13	9099732000	2	WHEEL D.214 GREY/BLACK	
14		2	NOTE COMMENT	K2
16	9098319000	1	GASKET	
17	146 3054 000	1	BELT BATTERY FIXING	
18		1	NOTE COMMENT	K1
19	9099719000	1	SUPPORT FOR GASKET	
20	9100000514	1	VALVE WATER COMPLETE PKD	
21		2	NOTE COMMENT	K2
22		1	NOTE COMMENT	K1
23		2	NOTE COMMENT	K2
24		2	NOTE COMMENT	K2
25	9099352000	1	PIN D.12	
26		1	NOTE COMMENT	K1
27		1	NOTE COMMENT	K1
28		1	NOTE COMMENT	K2
29		4	NOTE COMMENT	K2
K1	9098992000	1	HOSE KIT	UNTIL SN 3510145009117
K1	9100000476	1	HOSES SOLENOID VALVE 12V KIT	STARTING SN 3510145009118
K2	9100000083	1	HARDWARE CHASSIS KIT	includes pos.2,3,4,5,6,7,8,9,11,12,14,21,23,24,28,

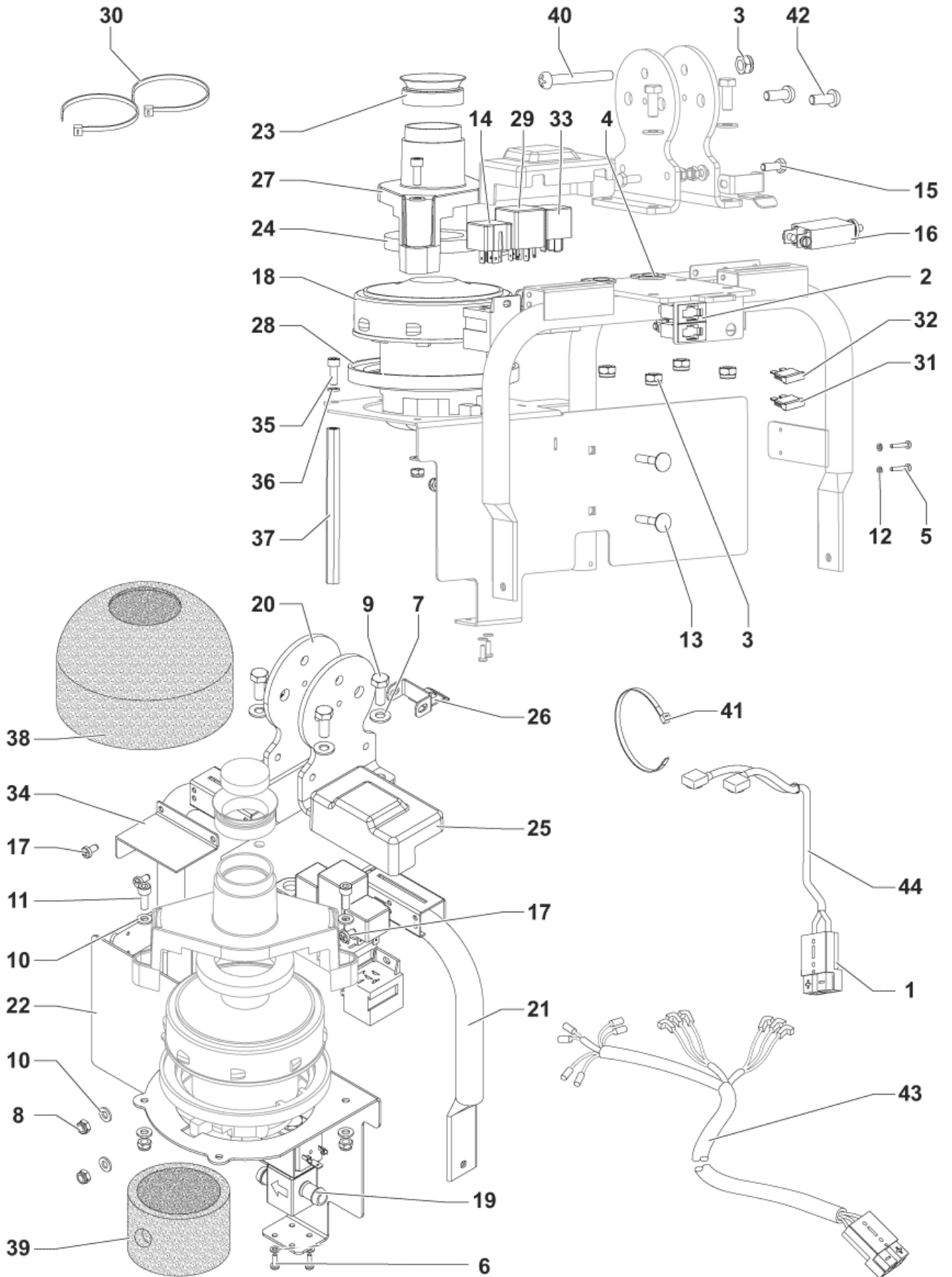
HANDLE SUPPORT SYSTEM

SCRUBTEC 337.2

01-03-2015

Part List ID
33720040

9



HANDLE SUPPORT SYSTEM

SCRUBTEC 337.2

01-03-2015

Part List ID
33720040

10

Pos	Part no.	Qty	Description	
1	9098760000	2	CONNECTOR 50A GREY	
2	9098924000	2	FUSE HOLDER	
3		5	NOTE COMMENT	K1
4	909 6542 000	2	GROMMET	
5		2	NOTE COMMENT	K1
6		3	NOTE COMMENT	K1
7		4	NOTE COMMENT	K1
8		8	NOTE COMMENT	K1
9		4	NOTE COMMENT	K1
10		8	NOTE COMMENT	K1
11		2	NOTE COMMENT	K1
12		2	NOTE COMMENT	K1
13		2	NOTE COMMENT	K1
14	9098441000	1	RELAY 12V	
15		2	NOTE COMMENT	K1
16	9099802000	1	CIRCUIT BREAKER 35A KIT	
17		4	NOTE COMMENT	K1
18	910000674	1	MOTOR VACUUM 12V 200W PKD	
19	9098112000	1	SOLENOID VALVE 12V	UNTIL SN 3510145009117
19	9100000475	1	SOLENOID VALVE 12V PKD	STARTING SN 3510145009118
20	9099073000	2	BRACKET HANDLE	
21	9098267000	1	SUPPORT HANDLE	
22	9098268000	1	SUPPORT VACUUM MOTOR	
23	9098319000	1	GASKET	
24	9098327000	1	GASKET VACUUM MOTOR	
25	9098365000	1	COVER RELAY	
26	9098482000	1	BRACKET PLUNGER BLOCK	
27	9099074000	1	COVER VACUUM MOTOR	
28	9098554000	1	GASKET VACUUM MOTOR	
29	9098375000	1	TIMER CYCLICAL	
30		2	NOTE COMMENT	K1
31	145 8513 000	1	FUSE BLADE 30A UL	
32	145 9852 000	1	FUSE BLADE 5A UL	
33	146 3113 000	1	RELAIS 12V 70 A TYCO	
34	9099731000	1	SUPPORT CIRCUIT BRAKER	
35		2	NOTE COMMENT	K1
36		3	NOTE COMMENT	K1
37	9098559000	1	SPACER SUPPORT VACUUM MOTOR	
38	9098656000	1	CASING VACUUM MOTOR	
39	9098925000	1	CASING LOWER VACUUM MOTOR	
40		1	NOTE COMMENT	K1
41		4	NOTE COMMENT	K1
42		2	NOTE COMMENT	K1

K1 includes pos.3,5,6,7,8,9,10,11,12,13,15,17,30,35,36,40,41,42

HANDLE SUPPORT SYSTEM

SCRUBTEC 337.2

01-03-2015

Part List ID
33720040

11

Pos	Part no.	Qty	Description	
43	9099330000	1	HARNESS MACHINE	UNTIL SN 3510145009117
43	9100000477	1	HARNESS MACHINE PKD	STARTING SN 3510145009118
43	L08603885	1	CONNECTOR TYPE DIN 46340	STARTING SN 3510145009118
44	9098849000	1	HARNESS BATTERY	
K1	9100000084	1	HARDWARE HANDLE BAR SUPPORT KIT	includes pos.3,5,6,7,8,9,10,11,12,13,15,17,30,35,3

K1 includes pos.3,5,6,7,8,9,10,11,12,13,15,17,30,35,36,40,41,42

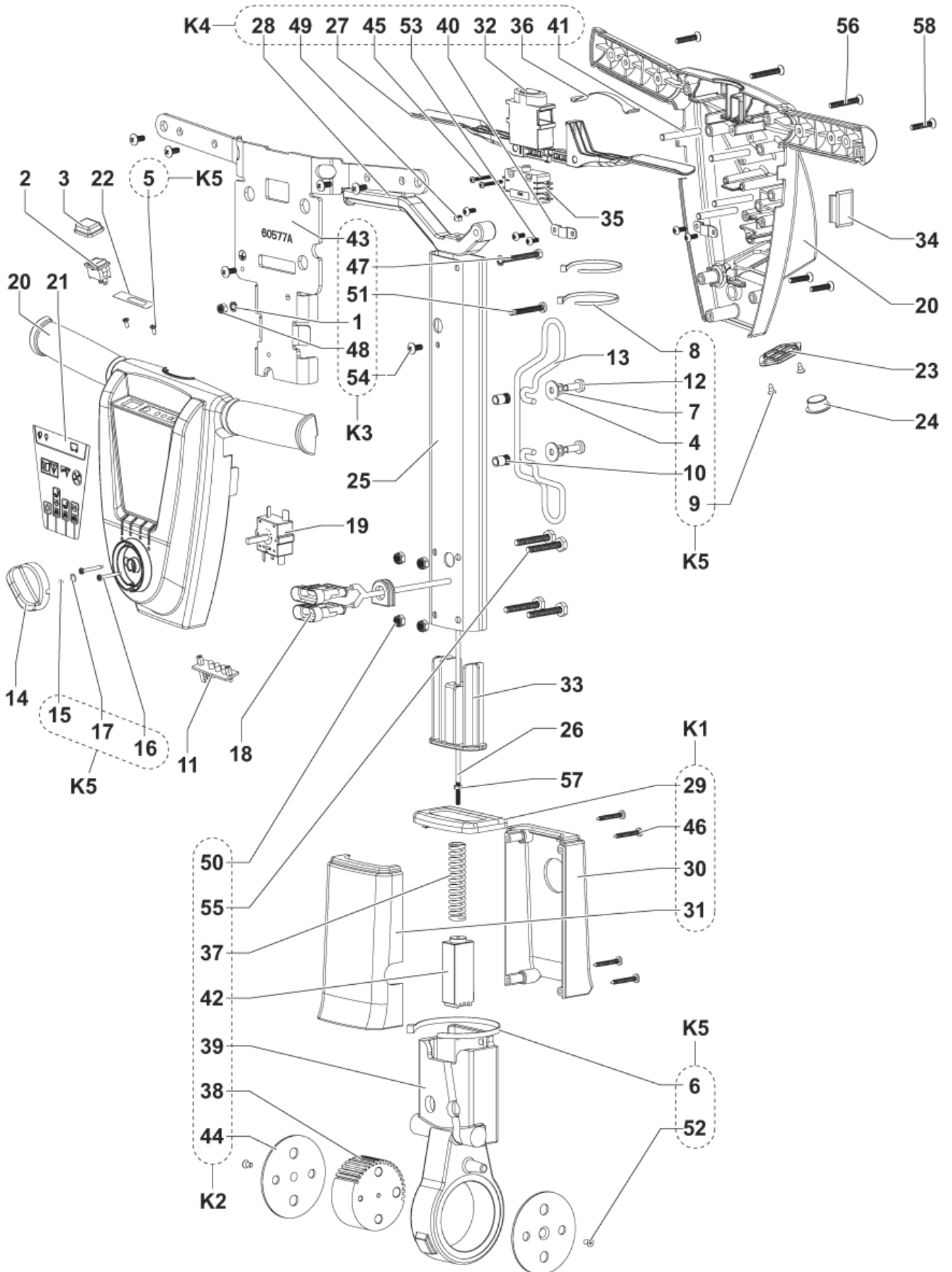
HANDLE SYSTEM

SCRUBTEC 337.2

01-03-2015

Part List ID
33720050

12



HANDLE SYSTEM

SCRUBTEC 337.2

01-03-2015

Part List ID
33720050

13

Pos	Part no.	Qty	Description	
1		3	NOTE COMMENT	K3
2	L08603153	1	SWITCH PUMP	
3	L08603154	1	CAP PROTECTION	
4		2	NOTE COMMENT	K5
5		2	NOTE COMMENT	K5
6		1	NOTE COMMENT	K5
7		2	NOTE COMMENT	K5
8		2	NOTE COMMENT	K5
9		2	NOTE COMMENT	K5
10		2	NOTE COMMENT	K5
11	146 3073 000	1	BOARD LED	
12		2	NOTE COMMENT	K5
13	1466317000	1	SUPPORT CABLE KIT	
14	9097283000	1	KNOB CONTROL FUNCTIONS	
15		1	NOTE COMMENT	K5
16		2	NOTE COMMENT	K5
17		1	NOTE COMMENT	K5
18	9099331000	1	HARNESS HANDLE BAR	
19	9099332000	1	SWITCH ROTATIVE 4 POSITIONS	
20	9100000102	1	COVERS HANDLE BLUE KIT	
21	9099737000	1	DECAL CONTROL PANEL	
22	9098616000	1	DECAL BATTERY LED	
23	9098812000	1	CAP FOR HANDLE	
24	9098813000	1	CAP D.18.5/D.24MM BLACK	
25	9098835000	1	TUBE OF HANDLE	
26	9098836000	1	ROD INDEX	
27		2	NOTE COMMENT	K4
28		1	NOTE COMMENT	K4
29		1	NOTE COMMENT	K1
30		1	NOTE COMMENT	K1
31		1	NOTE COMMENT	K1
32		1	NOTE COMMENT	K4
33	VF47033	1	RETAINER	
34	VF54041	1	HANDLE PLUG	
35	40263A	1	SWITCH DPST	
36		1	NOTE COMMENT	K4
37		1	NOTE COMMENT	K2
38		1	NOTE COMMENT	K2
39		1	NOTE COMMENT	K2
40		1	NOTE COMMENT	K4
41		4	NOTE COMMENT	K4
42		1	NOTE COMMENT	K2
43		1	NOTE COMMENT	K3

HANDLE SYSTEM

SCRUBTEC 337.2

01-03-2015

Part List ID
33720050

14

Pos	Part no.	Qty	Description	
44		2	NOTE COMMENT	K2
45		2	NOTE COMMENT	K4
46		4	NOTE COMMENT	K1
47		1	NOTE COMMENT	K3
48		1	NOTE COMMENT	K3
49		1	NOTE COMMENT	K4
50		4	NOTE COMMENT	K2
51		1	NOTE COMMENT	K3
52		2	NOTE COMMENT	K5
53		3	NOTE COMMENT	K4
54		6	NOTE COMMENT	K3
55		4	NOTE COMMENT	K2
56	80398A	2	SCREW M5X35 SS HEAD PHILLIPS	
57	VV13609	1	NUT M4	
58	80407A	4	SCREW M5X25 SS FLAT HEAD PHILLIPS	
K1	11271A	1	REAR AND FRONT COVER KIT	
K2	11272A	1	LOWER HOUSING KIT	
K3	11273A	1	HANDLE SUPPORT KIT	
K4	11274A	1	HANDLE SWITCH LEVER KIT	
K5	9098995000	1	HARDWARE HANDLE BAR KIT	

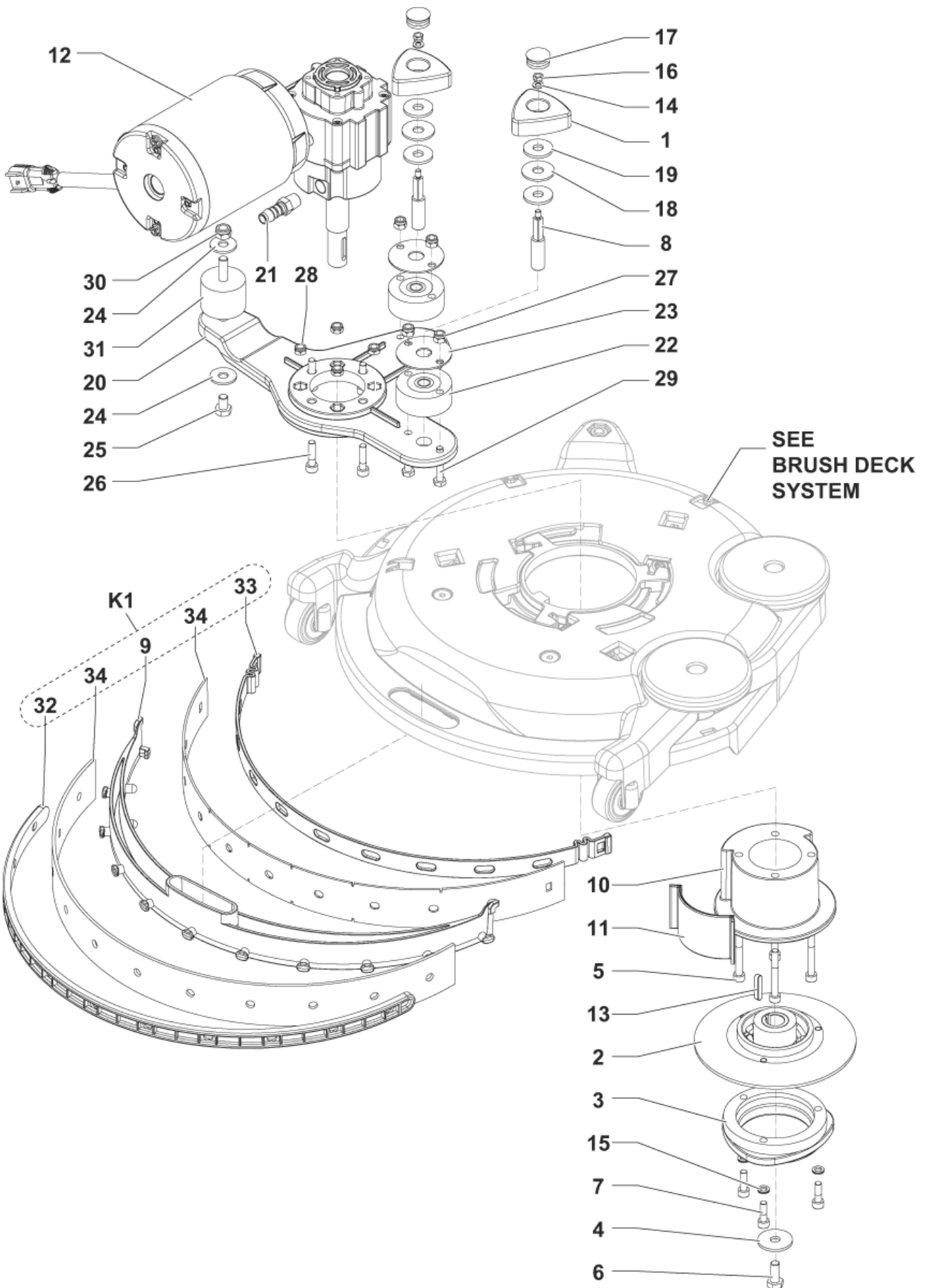
MOTOR AND DECK SYSTEM

SCRUBTEC 337.2

01-03-2015

Part List ID
33720060

15



MOTOR AND DECK SYSTEM

SCRUBTEC 337.2

01-03-2015

Part List ID
33720060

16

Pos	Part no.	Qty	Description	
1	L08812203	2	KNOB	
2	L08812306	1	HUB BRUSH R.GEARMOTOR RIGHT	
3	L08812480	1	HUB.BRUSH	
4		1	NOTE COMMENT	K2
5		4	NOTE COMMENT	K2
6		1	NOTE COMMENT	K2
7		3	NOTE COMMENT	K2
8	9098557000	2	PIN BRUSH PLATE FIXING	
9		1	NOTE COMMENT	K1
10	9100000955	1	FLANGE DECK KIT	
11	9099736000	1	SPACER LIMIT	
12	9100000679	1	REDUCTION GEARMOTOR 260W 12V PKD	
13	1466146000	1	KEY 5X5X25 UNI6604A PKD	
14		2	NOTE COMMENT	K2
15		3	NOTE COMMENT	K2
16		2	NOTE COMMENT	K2
17	L08812426	2	CAP FOR KNOB	
18		2	NOTE COMMENT	K2
19		4	NOTE COMMENT	K2
20	9099718000	1	SUPPORT DECK	
21	9100000478	1	HOLDER RUBBER STRAIGHT 1/4 D.6 PKD	STARTING SN 3510145009118
21	L08601624	1	HOLDER RUBBER 1/4 D.10	UNTIL SN 3510145009117
22	L08812213	2	BUFFER	
23	L08812779	2	PLATE.VIBRATION DAMPING	
24		2	NOTE COMMENT	K2
25		1	NOTE COMMENT	K2
26		4	NOTE COMMENT	K2
27		4	NOTE COMMENT	K2
28		4	NOTE COMMENT	K2
29		4	NOTE COMMENT	K2
30		1	NOTE COMMENT	K2
31	9100000868	1	VIBRATION DAMPING M8 60SH 2 PCS SET	
32	9099707000	1	STRAP ELASTIC REAR	K1
33	9099708000	1	STRAP ELASTIC FRONT	K1
34	9100000077	1	BLADE SQUEEGEE 370MM 14.5 PU KIT	K1
34	9100000302	1	BLADE SQUEEGEE 370MM 14.5 RED GUM KIT	OPTIONAL
K1	9100000085	1	SQUEEGEE 438MM/17 KIT	
K2	9100000086	1	HARDWARE MOTOR AND DECK KIT	NOT SHOWN

POSITION 34 9100000302 NOT SHOWN

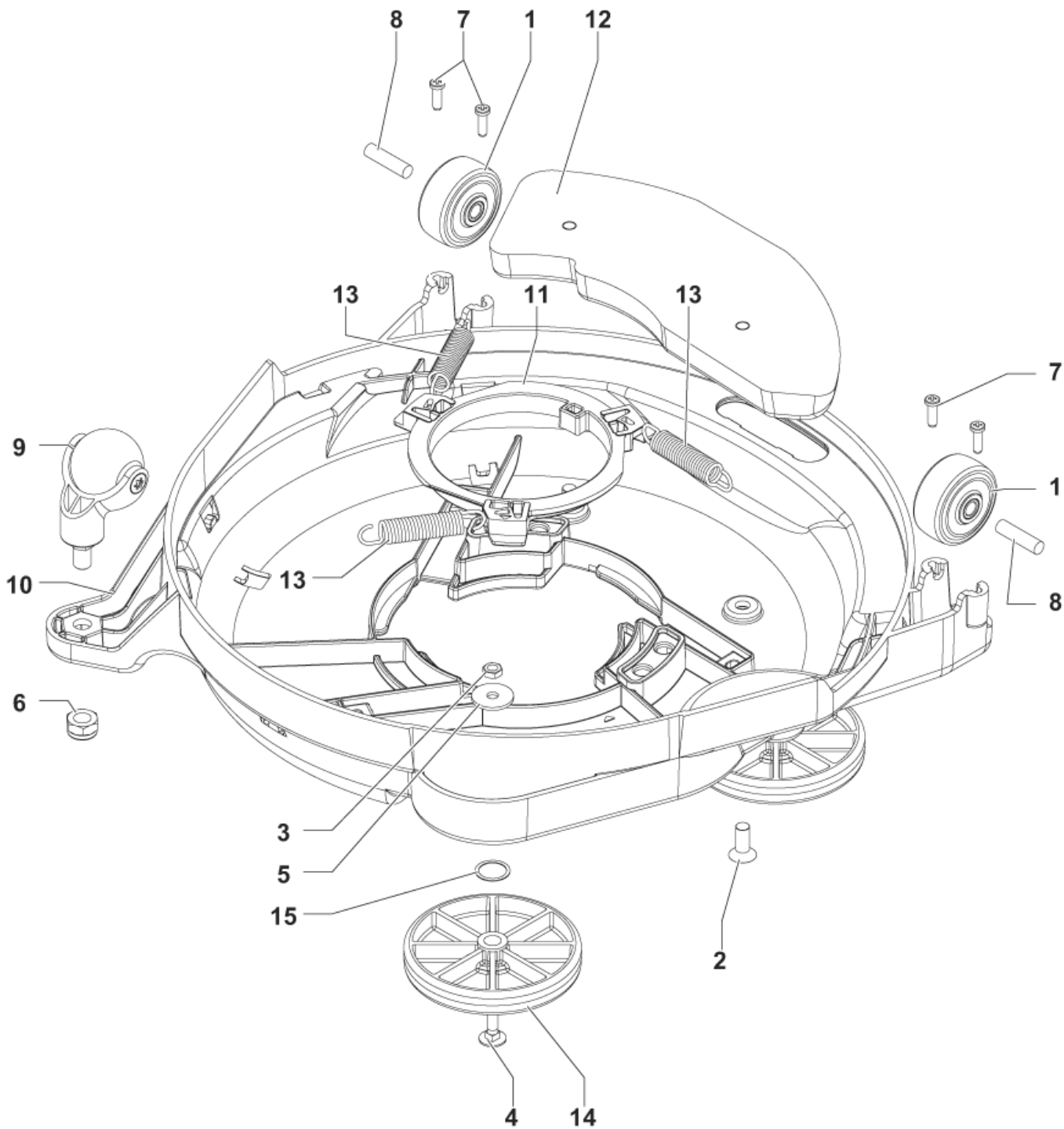
BRUSH DECK SYSTEM

SCRUBTEC 337.2

01-03-2015

Part List ID
33720070

17



BRUSH DECK SYSTEM

SCRUBTEC 337.2

01-03-2015

Part List ID
33720070

18

Pos	Part no.	Qty	Description	
1	910000559	2	WHEEL D.51 GREY PKD	
2		2	NOTE COMMENT	K1
3		2	NOTE COMMENT	K1
4		2	NOTE COMMENT	K1
5		2	NOTE COMMENT	K1
6		1	NOTE COMMENT	K1
7		4	NOTE COMMENT	K1
8		2	NOTE COMMENT	K1
9	9099163000	1	WHEEL CASTOR D.42	
10	9099712000	1	DECK BRUSH 350MM/14	
11	9099713000	1	FLANGE CENTRAL	
12	9100000040	1	COUNTERWEIGHT	
13	9099720000	3	SPRING TRACTION	
14	30048A	2	GUIDE WHEEL ENCORE 2426	
15		2	NOTE COMMENT	K1
K1	9100000088	1	HARDWARE BRUSH DECK KIT	NOT SHOWN

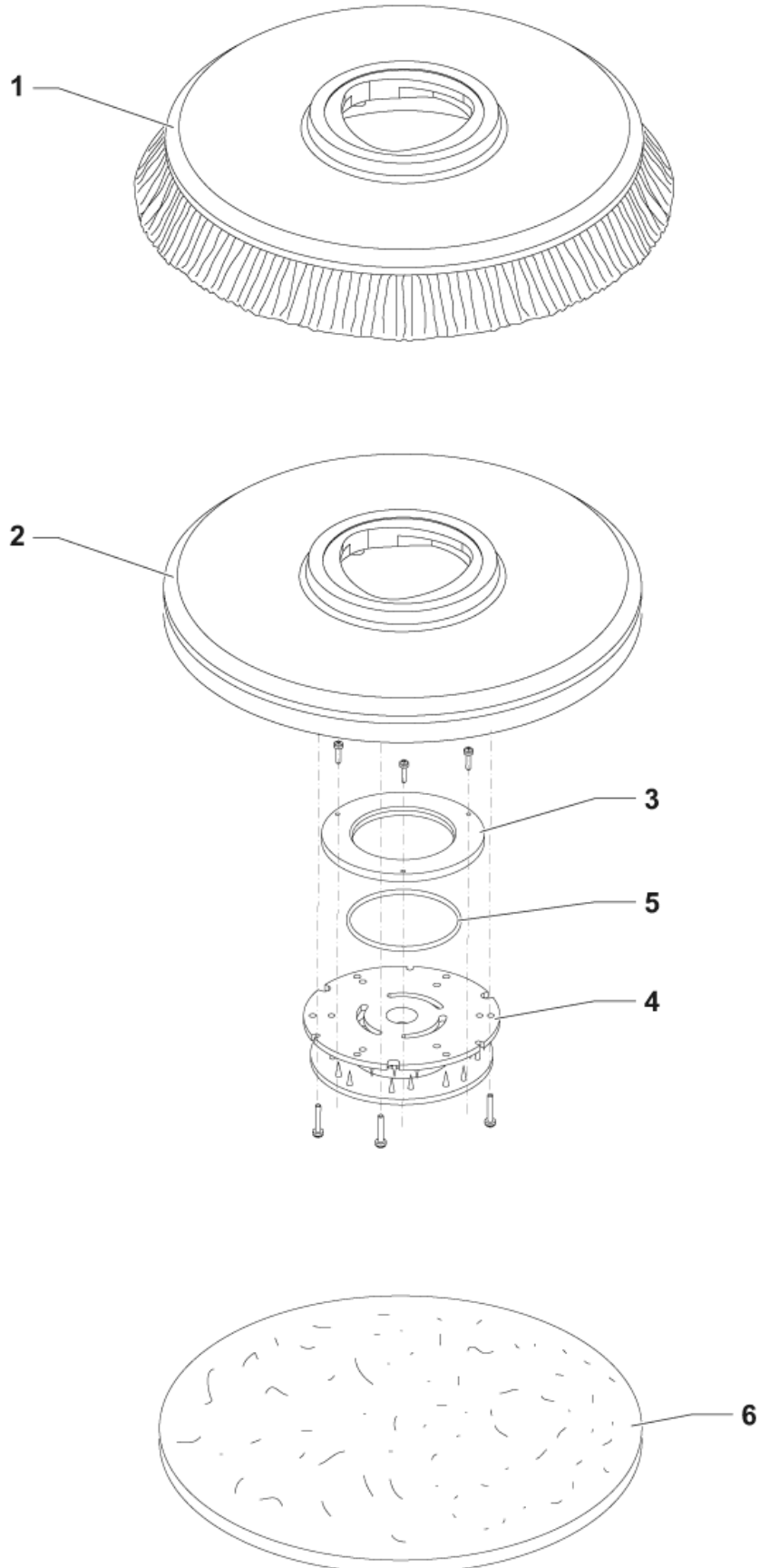
ACCESSORIES

SCRUBTEC 337.2

01-03-2015

Part List ID
33720080

19



ACCESSORIES

SCRUBTEC 337.2

01-03-2015

Part List ID
33720080

20

Pos	Part no.	Qty	Description	
1	9099999000	1	BRUSH DISC 370MM 14.5 PROLENE	
1	9100000000	1	BRUSH DISC 370MM 14.5 UNION MIX	OPTIONAL
1	9100000001	1	BRUSH DISC 370MM 14.5 PROLITE	OPTIONAL
1	9100000002	1	BRUSH DISC 370MM 14.5 MID GRIT	OPTIONAL
1	9100000003	1	BRUSH DISC 370MM 14.5 MAGNA GRIT 46	OPTIONAL
2	9099672000	1	PAD HOLDER FLAT 14 355MM	OPTIONAL
3	L08603966	1	RING NYLON	
4	56505195	1	PAD RETAINER	
5	L08603965	1	O-RING 2.62X82.22 -3325-NBR 40SH	
6	10001918	1	PAD 14 355MM ECO BROWN 5PCS	OPTIONAL
6	10001919	1	PAD 14 355MM ECO GREEN 5PCS	OPTIONAL
6	10001920	1	PAD 14 355MM ECO RED 5PCS	OPTIONAL
6	10001921	1	PAD 14 355MM ECO WHITE 5PCS	OPTIONAL

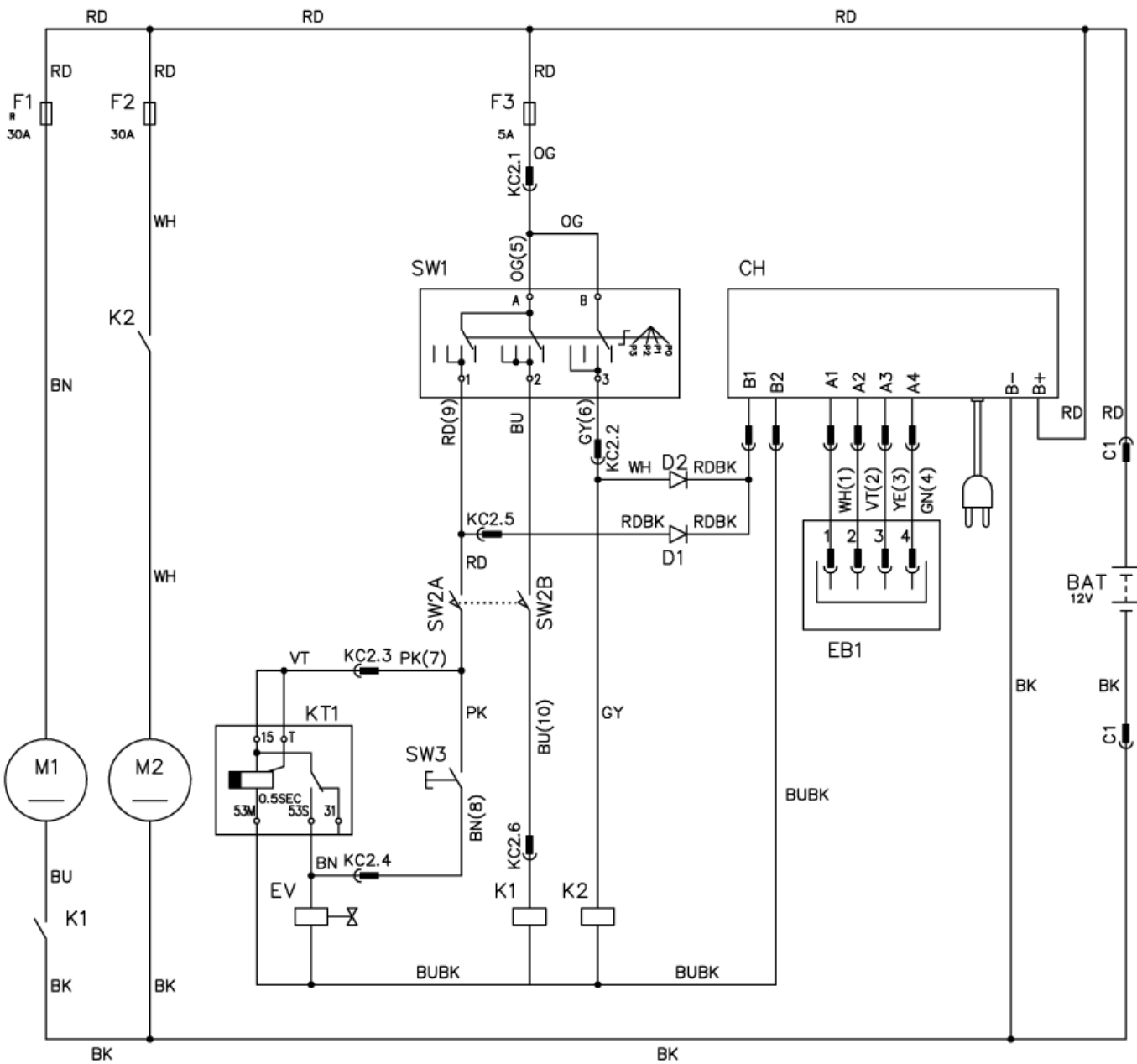
WIRING DIAGRAM

SCRUBTEC 337.2

01-03-2015

Part List ID
33720090

21



WIRING DIAGRAM

SCRUBTEC 337.2

01-03-2015

Part List ID
33720090

22

Pos	Part no.	Qty	Description
D1		1	NOTE COMMENT
D2		1	NOTE COMMENT
EV	9098112000	1	SOLENOID VALVE 12V
F1	9099802000	1	CIRCUIT BREAKER 35A KIT
F2	146 3113 000	1	RELAIS 12V 70 A TYCO
F3	145 9852 000	1	FUSE BLADE 5A UL
K1	145 8513 000	1	FUSE BLADE 30A UL
K2	9098441000	1	RELAY 12V
M1	9100000679	1	REDUCTION GEARMOTOR 260W 12V PKD
M2	9100000674	1	MOTOR VACUUM 12V 200W PKD
BAT	9098977000	1	BATTERY 12V 55AH
EB1	146 3073 000	1	BOARD LED
KT1	9098375000	1	TIMER CYCLICAL
SW1	9099332000	1	SWITCH ROTATIVE 4 POSITIONS
SW2	40263A	1	SWITCH DPST
SW3	L08603153	1	SWITCH PUMP

RECOMMENDED SPARE PARTS

SCRUBTEC 337.2

01-03-2015

Part List ID

33720100

23

No Drawing For Part List

RECOMMENDED SPARE PARTS

SCRUBTEC 337.2

01-03-2015

Part List ID
33720100

24

Pos	Part no.	Qty	Description	
0	145 8513 000	1	FUSE BLADE 30A UL	EM
0	145 9852 000	1	FUSE BLADE 5A UL	EM
0	146 3113 000	1	RELAIS 12V 70 A TYCO	EM
0	30048A	2	GUIDE WHEEL ENCORE 2426	EM
0	40263A	1	SWITCH DPST	EM
0	9098112000	1	SOLENOID VALVE 12V	EM
0	9098319000	2	GASKET	OM
0	9098327000	1	GASKET VACUUM MOTOR	OM
0	9098375000	1	TIMER CYCLICAL	EM
0	9098441000	1	RELAY 12V	EM
0	9098760000	2	CONNECTOR 50A GREY	EM
0	9098992000	1	HOSE KIT	EM
0	9099077000	1	GASKET RUBBER L.760MM PKD	OM
0	9099163000	1	WHEEL CASTOR D.42	OM
0	9099332000	1	SWITCH ROTATIVE 4 POSITIONS	EM
0	9099706000	1	HOSE SUCTION D.25	OM
0	9099707000	1	STRAP ELASTIC REAR	OM
0	9099708000	1	STRAP ELASTIC FRONT	OM
0	9099712000	1	DECK BRUSH 350MM/14	EM
0	9099732000	2	WHEEL D.214 GREY/BLACK	EM
0	9099802000	1	CIRCUIT BREAKER 35A KIT	EM
0	9099999000	1	BRUSH DISC 370MM 14.5 PROLENE	NW
0	9100000077	1	BLADE SQUEEGEE 370MM 14.5 PU KIT	NW
0	9100000085	1	SQUEEGEE 438MM/17 KIT	OM
0	9100000087	1	CLUTCH KIT	OM
0	9100000514	1	VALVE WATER COMPLETE PKD	EM
0	9100000559	2	WHEEL D.51 GREY PKD	OM
0	9100000674	1	MOTOR VACUUM 12V 200W PKD	OM
0	9100000679	1	REDUCTION GEARMOTOR 260W 12V PKD	OM
0	L08603153	1	SWITCH PUMP	EM
0	L08812480	1	HUB.BRUSH	OM