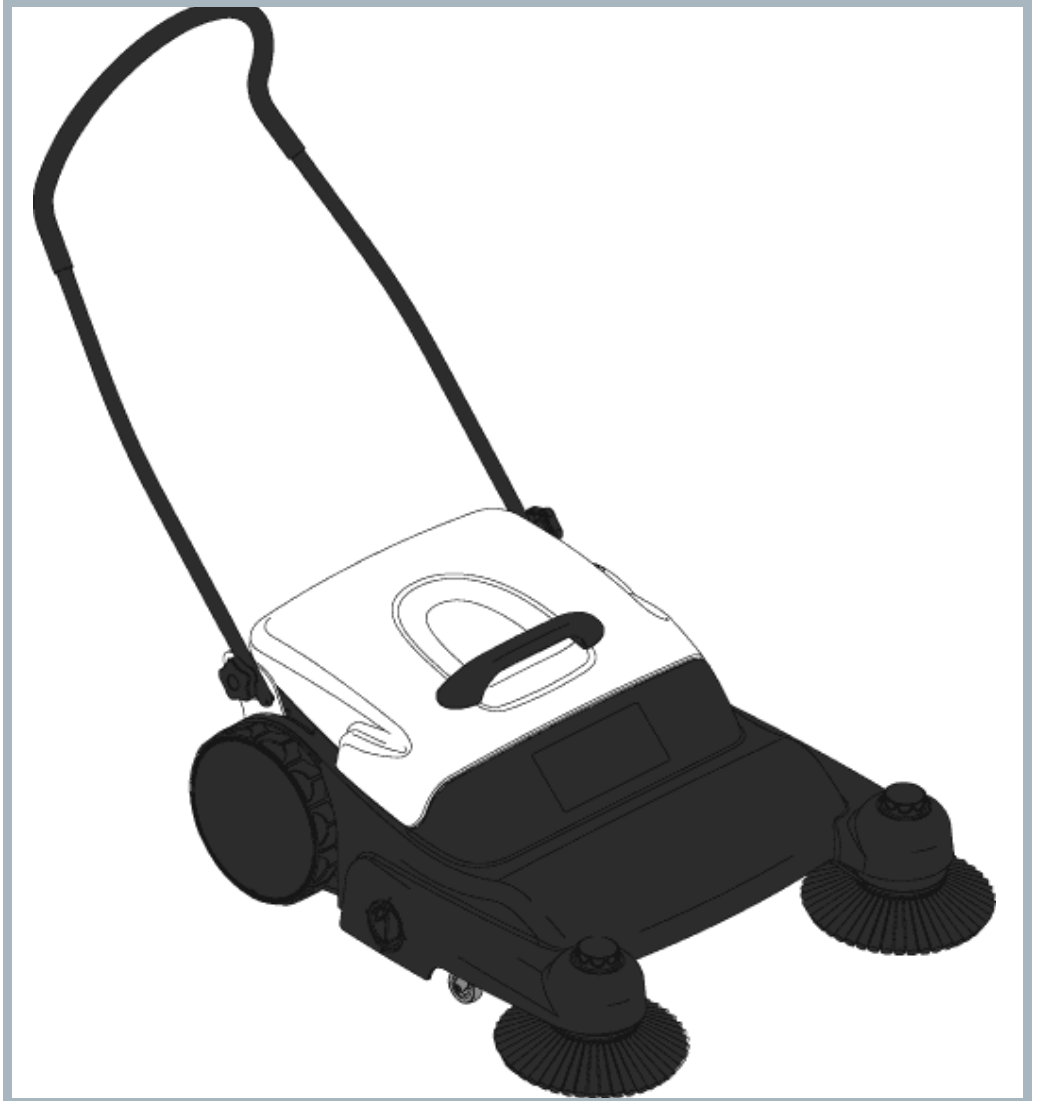


FLOORTEC 480M

Model:
FLOORTEC 480 M
FLOORTEC 480 M ALTO



Part List US-English

14-02-2015

Table of Contents

FLOORTEC 480M

Chassis system	3
Recommended spare parts	5

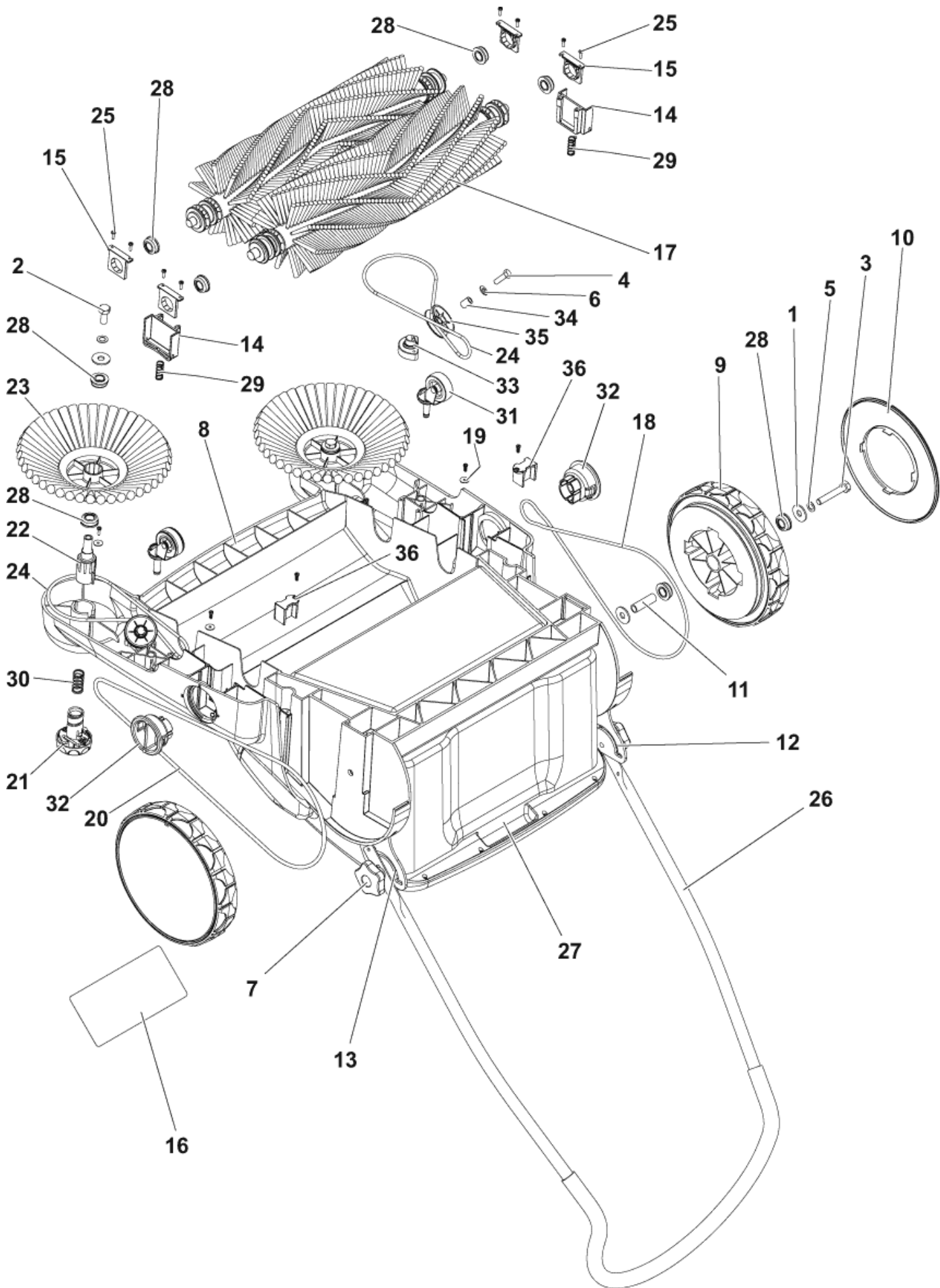
Chassis system

FLOORTEC 480M

14-02-2015

Part List ID
F480M0010

3



Chassis system

FLOORTEC 480M

14-02-2015

Part List ID
F-480M0010

4

Pos	Part no.	Qty	Description	
7	146 1852 000	2	KNOB M8	
8	1463601000	1	CHASSIS	
9	1463604000	2	DRIVE WHEEL	
10	1463605000	2	COVER WHEEL	
12	1463607000	1	LEFT HANDLE STRAP SUPPORT	
13	1463608000	1	RIGHT HANDLE STRAP SUPPORT	
14	1463611000	2	MOVABLE SUPPORT	
15	1463612000	4	BEARING SUPPORT	
16	1463652000	1	DECAL NIL ALTO FLOORTEC 480M	FOR FLOORTEC Nilfisk-ALTO VERSION
16	1463653000	1	DECAL ALTO FLOORTEC 480M	FOR FLOORTEC ALTO VERSION
17	1465201000	2	BROOM MAIN NYLON KIT	
18	1463615000	1	TRACTION SHORT BELT	
20	1463617000	1	TRACTION LONG BELT	
21	1465651000	2	HANDLE KIT	
22	1463621000	2	ADJUSTABLE BRUSH SUPPORT	
23	1463623000	2	SIDE BROOM	
24	1463624000	2	SIDE BROOM BELT	
26	1463626000	1	HANDLE	
27	1465653000	1	CONTAINER WASTE BLUE KIT	
28	1463633000	12	BEARING	
29	1463635000	2	SPRING	
30	1463636000	2	SPRING	
31	1463637000	2	CASTER WHEEL	
32	1463640000	2	HANDLE MAIN BROOM ADJUST	
33	1463641000	2	SUPPORT PULLEY	
35	1463643000	2	PULLEY	
36	1463644000	2	REINFORCING BLOCK	
37	1464357000	1	HARDWARE KIT	INCLUDES POS.:1,2,3,4,5,6,11,19,25,34

POSITIONS 1,2,3,4,5,6,11,19,25,34 NOT AVAILABLE AS SINGLE PARTS-INCLUDED IN THE HARDWARE KIT 1464357000

Recommended spare parts

FLOORTEC 480M

14-02-2015

Part List ID

F480M0030

5

No Drawing For Part List

Recommended spare parts

FLOORTEC 480M

14-02-2015

Part List ID
F-480M0030

6

Pos	Part no.	Qty	Description	
1	1465201000	2	BROOM MAIN NYLON KIT	WEAR PART
2	1463623000	2	SIDE BROOM	WEAR PART
3	1463615000	1	TRACTION SHORT BELT	ORDINARY MAINTENANCE
4	1463617000	1	TRACTION LONG BELT	ORDINARY MAINTENANCE
5	1463624000	2	SIDE BROOM BELT	ORDINARY MAINTENANCE
6	1463633000	12	BEARING	ORDINARY MAINTENANCE
7	1463637000	2	CASTER WHEEL	ORDINARY MAINTENANCE