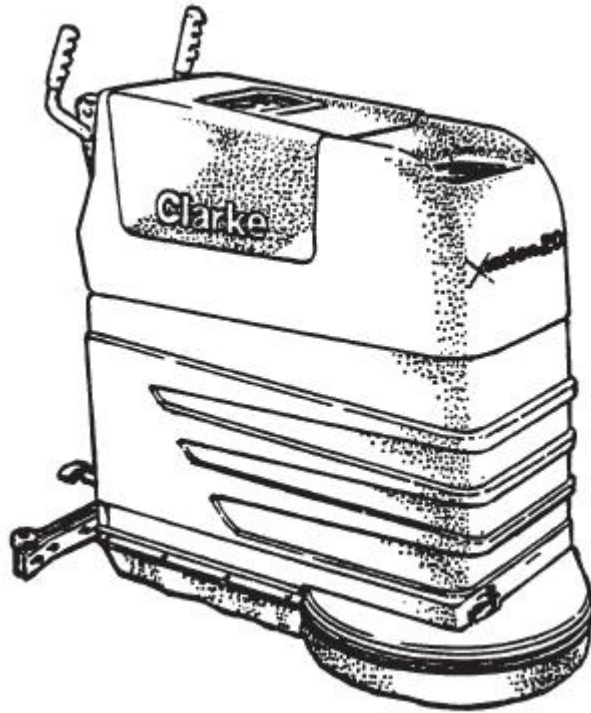


Vision 20 B/BT

Model:
Vision 20 B/BT



Part List English

01-12-2014

Table of Contents

Vision 20 B/BT

Accessories	3
Final assembly B	5
Final assembly BT	8
Non traverse 20 B	11
Traverse 20 BT	13
Brush lift	15
Frame assembly	17
Brush Motor	19
Panel assembly 20 B	21
Panel assembly 20 BT	23
Squeegee Assembly	25
Solution tank	27
Recovery tank	29
Support assembly 20 BT	31
Support assembly 20 B	33
Vacuum motor	35
Motor Traverse	37
Battery charger	39
Gearbox	41
Brush motor	43

Accessories

Vision 20 B/BT

01-12-2014

Part List ID
VISION20

3

ACCESSORIES

<u>Description</u>	<u>Part No.</u>
PadDriver	53136B
Face, Pad	53988A
Base	57370A
Retainer	57369A
Pad/Brush Clutch Plate	66649A
Clutch Plate Screws	962819
Grit Brush	51465B
Nylon Brush .028 Dia.	51467B
Poly Brush	51468B
Clean Grit	51474B
Nylon Brush .016	51482A
Mal Grit Lite	51484A

Pads by Case

<u>Color</u>	<u>2000</u>
Yellow	979199
White	976067
Red	976068
Green	976169
Blue	976069
Brown	976070
Black	976170
Ultra H.S.	979206

Accessories

Vision 20 B/BT

01-12-2014

Part List ID
VISION20

4

Pos	Part no.	Qty	Description
1	53136B	1	DRIVER. PAD 20in (VISION
3	57370A	1	RETAINER. PAD. TOP HALF
4	57369A	1	RETAINER. PAD. BOT HALF
5	66649A	1	PLATE-BRUSH DRIVE. C.W.
6	962819	1	SCR 1/4 -20 X 1& 1/4. PHI
7	51465B	1	BRUSH.20in.GRIT(VISION 20
8	51482A	1	BRUSH.20in.NYLON.(use 514 2D) Replaces 51474B
9	51468B	1	BRUSH.20in.POLYPROPYLENE
10	51474B	1	BRUSH.20in.CG USE 51474D
11	51482A	1	BRUSH.20in.NYLON.(use 514 2D)
20	979199	1	PADS CASE 20 YELLOW HS CLARKE
21	976067	1	PADS CS 20 WHITE 51 5 PK
22	10001959	1	PAD 20 505MM ECO RED 5 PCS
24	976069	1	PADS CS 20 BLUE 51 5 PK
25	10001957	1	PAD 20 505MM ECO BROWN 5PCS
26	976170	1	PADS CS 20 BLACK THICK 5 PK

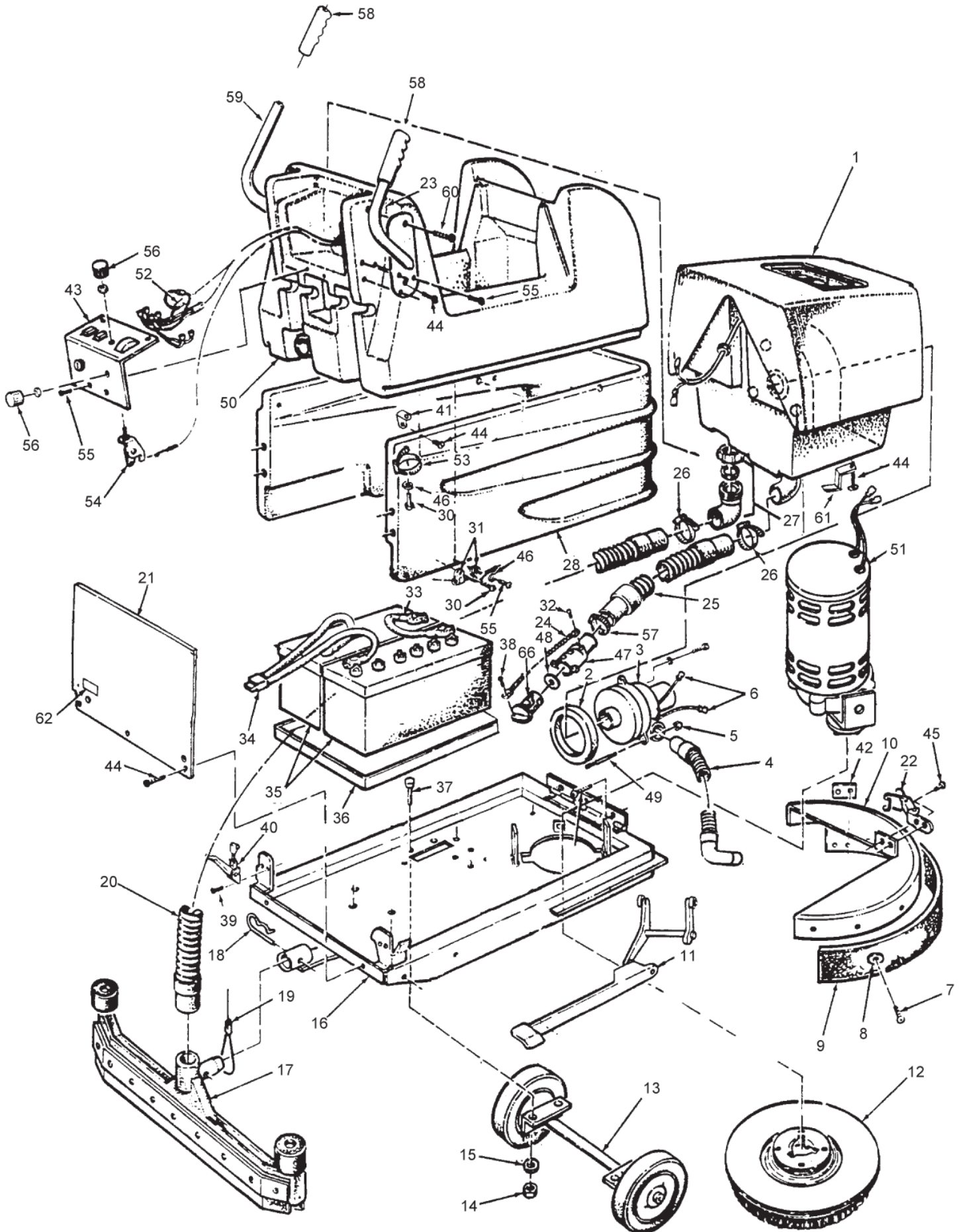
Final assembly B

Vision 20 B/BT

01-12-2014

Part List ID
VISION2001

5



Final assembly B

Vision 20 B/BT

01-12-2014

Part List ID
VISION2001

6

Pos	Part no.	Qty	Description
2	643418	1	GASKET
3	56412218	1	MOTOR VAC 24VDC
4	30448A	1	VAC EXHAUST HOSE
5	81104A	3	NUT. 1/4-20. ESNA TYPE SS
6	47905A	2	TERM. .25 FI MQC 14/16G
7	85521A	7	SCREW.10-24 X 1/2 PAN HD
8	66946A	5	RETAINER.SHROUD ADJ.PNTD
9	38216B	1	SKIRT.SHROUD BUMPER (2000
10	18421A	1	SHROUD.FRAME (VISION 20)
14	920110	4	NUT.LK 5/16-18 REG(PLTD)
15	87027A	4	WASHER.2000 PV
18	66515A	1	PIN-LOCKING.SQUEEGEE
19	61648A	1	CABLE.SQUEEGEE LIFT.2000
20	30408B	1	HOSE. SQUEEGEE (VISION 17
22	682006	3	53 CLAMP ASSY LID
24	52206A	1	CHAIN. COVER AUTOSCRUBER
25	30415A	1	HOSE. RECOVERY DRAIN (VIS
26	752020	2	CLAMP 450 SHAMPOOER VAC
27	53630A	1	ELBOW.RECOVERY ADAPTOR. 1
29	85391A	3	SCR 1/4 -20X 5/8 PN*SY
30	962981	3	SCR 10-00X 5/8 PN*ST TY
31	832102	2	CLIP-CABLE
32	962958	1	screw
33	842406	1	CABLE-SERIES
34	41205B	1	CABLE ASM. BATTERY. WITH
37	84239A	4	SCREW.5/16-18 X 1 FLAT HD
38	962987	1	SCR 10-24X 3/8 PN*ST TY
39	85509A	4	SCREW. 6-32 X 1/4 PAN HEA
40	755161	2	LATCH
41	61244A	2	BRKT..TANK.(PAINTED) 1700
42	66947A	1	RETAINER.SHROUD STRAP. PN
44	85395A	13	SCREW.1/4-20 X 1/2 PAN HD
45	962333	2	SCR 10-32X 1/4 PN*ST
46	87026A	2	WASHER. .250. FLAT. SS
47	839401	1	VALVE-DRAIN
48	833407	1	GASKET-DRAIN
49	58533A	3	SPACER.VAC MOTOR.3 STG. (
53	51828A	1	STRAP HOSE 5.00 LEADERS
54	61647A	1	CABLE.SOLUTION.2000II
55	84237A	6	SCREW.10-32 X 1/2 PAN HD
56	55502A	1	SPEED CONTROL KNOB
57	832002	1	CLAMP-DRAIN VALVE
58	54504A	2	GRIP LEFT HAND VISION 20

Final assembly B

Vision 20 B/BT

01-12-2014

Part List ID
VISION2001

7

Pos	Part no.	Qty	Description
60	84238A	2	SCREW.5/16-18 X 3/4 FLAT
61	63040A	2	BRACKET. RECOVERY. PNTD.

Final assembly BT

Vision 20 B/BT

01-12-2014

Part List ID
VISION2002

9

Pos	Part no.	Qty	Description
0	47200A	1	SUPPRESSOR 24V BIDIRECTIONAL
0	47708A	2	TERMINAL. MALE. QUICK DIS
0	52205A	1	CHAIN.DRIVE.SS.2000BT
2	643418	1	GASKET
3	56412218	1	MOTOR VAC 24VDC
4	30448A	1	VAC EXHAUST HOSE
5	81104A	5	NUT. 1/4-20. ESNA TYPE SS
6	47905A	4	TERM. .25 FI MQC 14/16G
7	85521A	11	SCREW.10-24 X 1/2 PAN HD
8	66946A	5	RETAINER.SHROUD ADJ.PNTD
9	38216B	1	SKIRT.SHROUD BUMPER (2000
10	18421A	1	SHROUD.FRAME (VISION 20)
14	920110	4	NUT.LK 5/16-18 REG(PLTD)
15	87027A	4	WASHER.2000 PV
18	66515A	1	PIN-LOCKING.SQUEEGEE
19	61663A	1	CABLE. SQUEEGEE LIFT.(VISI
20	30408B	1	HOSE. SQUEEGEE (VISION 17
22	682006	1	53 CLAMP ASSY LID
23	85519A	2	SCR 1/4 -20X 3/8 PN*SY
24	52206A	1	CHAIN. COVER AUTOSCRUBER
25	30415A	1	HOSE. RECOVERY DRAIN (VIS
26	752020	2	CLAMP 450 SHAMPOOER VAC
27	53630A	1	ELBOW.RECOVERY ADAPTOR. 1
30	962981	2	SCR 10-00X 5/8 PN*ST TY
31	832102	2	CLIP-CABLE
32	962958	1	screw
33	842406	1	CABLE-SERIES
34	41205B	1	CABLE ASM. BATTERY. WITH
37	84239A	6	SCREW.5/16-18 X 1 FLAT HD
38	962987	1	SCR 10-24X 3/8 PN*ST TY
39	85509A	4	SCREW. 6-32 X 1/4 PAN HEA
40	755161	2	LATCH
41	61244A	5	BRKT..TANK.(PAINTED) 1700
42	66947A	1	RETAINER.SHROUD STRAP. PN
44	85395A	13	SCREW.1/4-20 X 1/2 PAN HD
45	962333	2	SCR 10-32X 1/4 PN*ST
46	87026A	11	WASHER. .250. FLAT. SS
47	839401	1	VALVE-DRAIN
48	833407	1	GASKET-DRAIN
49	58533A	3	SPACER.VAC MOTOR.3 STG. (
53	51828A	1	STRAP HOSE 5.00 LEADERS
54	61647A	1	CABLE.SOLUTION.2000II
55	84237A	7	SCREW.10-32 X 1/2 PAN HD

Final assembly BT

Vision 20 B/BT

01-12-2014

Part List ID
VISION2002

10

Pos	Part no.	Qty	Description
56	55502A	2	SPEED CONTROL KNOB
57	58710A	1	SPROCKET. DRIVE. VISION 2
58	45035D	1	MOTOR TRANSVERSE
60	85391A	8	SCR 1/4 -20X 5/8 PN*SY
61	41144D	1	CONTROL MOTOR SOLID STATE
62	980657	8	WASHER.LK 1/4 STD
63	52207A	1	CHAIN.DRIVE NICKLE PLATED
64	32358B	1	COVER. SPROCKET (VIS 20BT
65	832002	1	CLAMP-DRAIN VALVE
66	833901	1	HANDLE-DRAIN VALVE
67	54505A	2	GRIP RIGHT HAND (VISION 2 0)
68	53055A	2	SWITCH. TRAVERSE (VISION
72	63040A	2	BRACKET. RECOVERY. PNTD.
74	81110A	4	NUT.HEX.ELASTIC LOCK.10-2
75	895101	1	CONNECTING LINK 35CHAIN

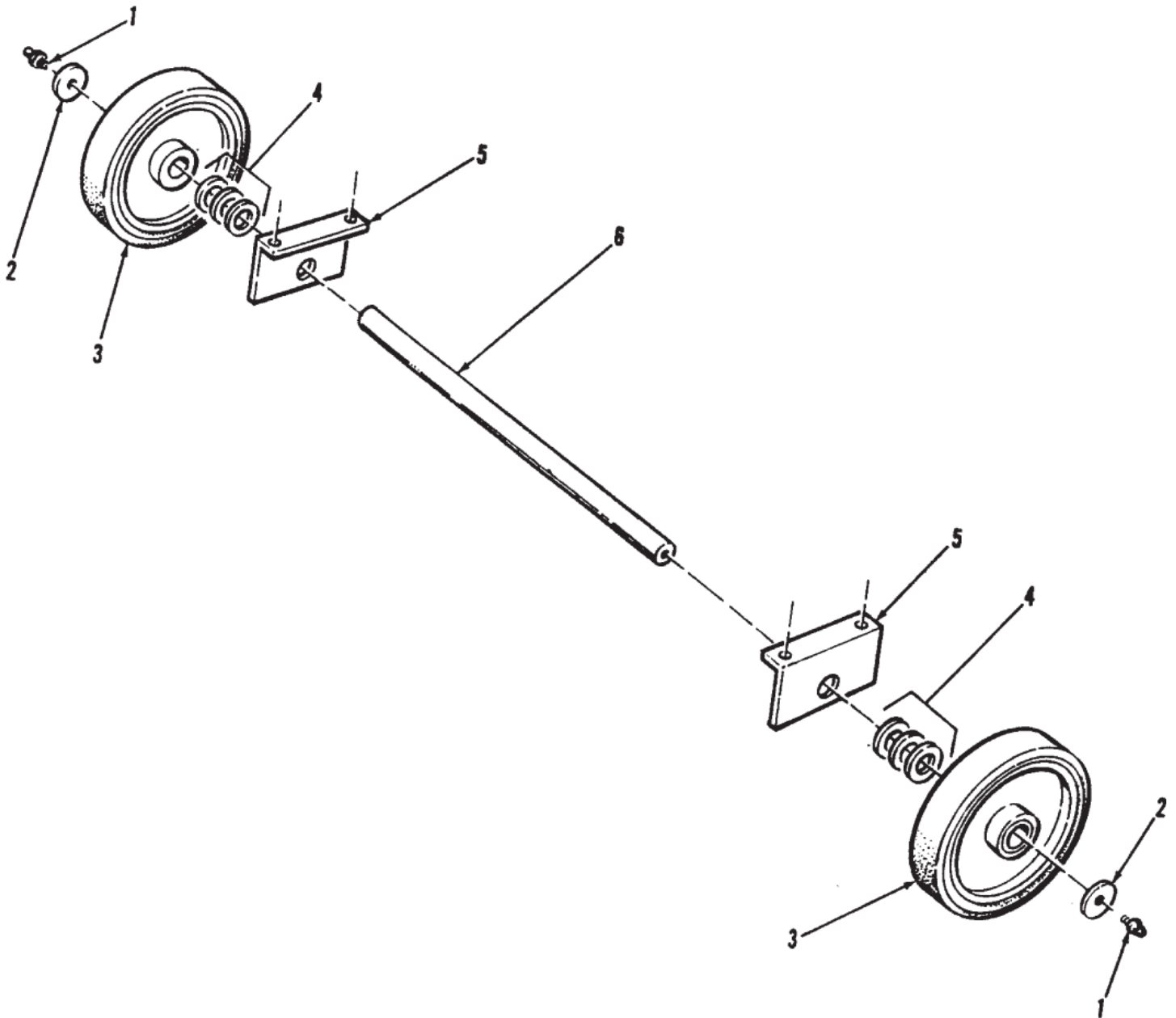
Non traverse 20 B

Vision 20 B/BT

01-12-2014

Part List ID
VISION2003

11



Non traverse 20 B

Vision 20 B/BT

01-12-2014

Part List ID
VISION2003

12

Pos	Part no.	Qty	Description
1	54014A	2	FITTING. GREASE. 1/4in-28
2	87039A	2	WASHER. FENDER 1/4in S.S.
4	87613A	4	WASHER.NYLON.2000BT II
5	68269A	2	SUPPORTAXLEPNTD2000 II
6	60195A	1	AXLE. (VISION 20)

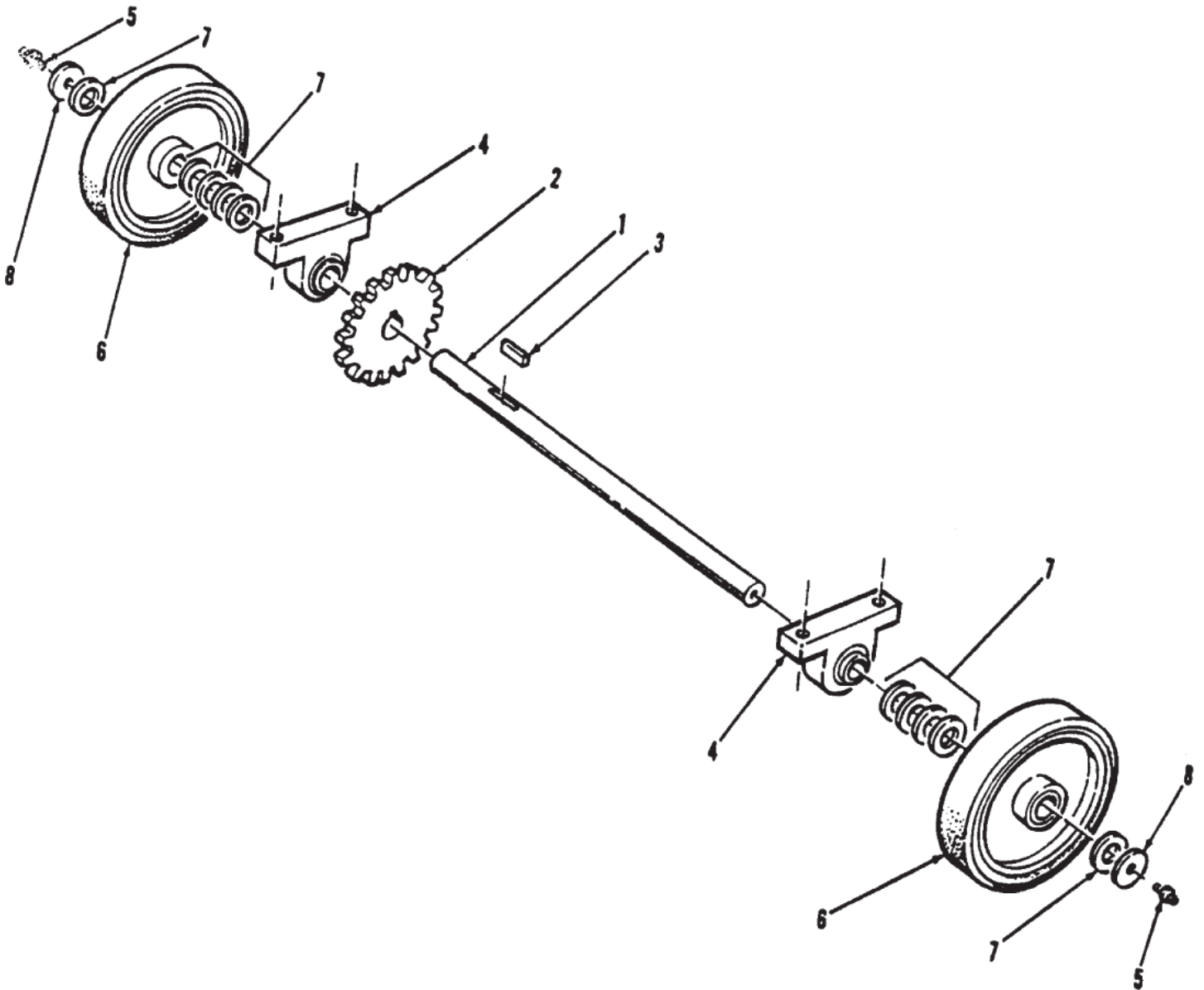
Traverse 20 BT

Vision 20 B/BT

01-12-2014

Part List ID
VISION2004

13



Traverse 20 BT

Vision 20 B/BT

01-12-2014

Part List ID
VISION2004

14

Pos	Part no.	Qty	Description
2	58712A	1	SPROCKET. 32T (VIS 17 BT)
3	915044	1	KEY-3/16X3/16X1 SQUARE
4	51193A	2	BEARING. PILLOW BLOCK(VIS
5	54014A	2	FITTING. GREASE. 1/4in-28
6	59959A	2	WHEEL.6inDIA W/CLUTCH & G
7	87616A	11	WASHER. NYLON (VIS 20BT)
8	87039A	2	WASHER. FENDER 1/4in S.S.

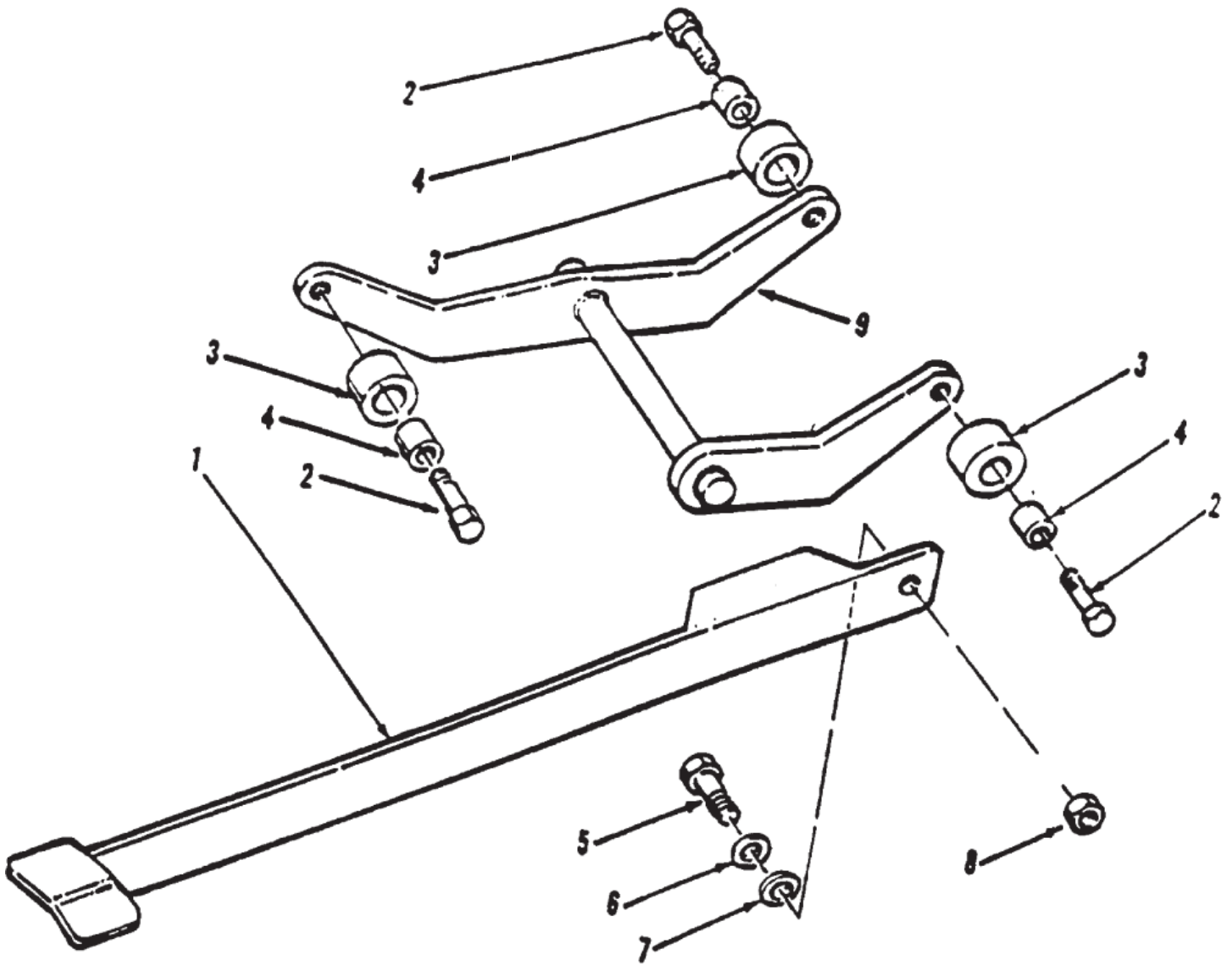
Brush lift

Vision 20 B/BT

01-12-2014

Part List ID
VISION2005

15



Brush lift

Vision 20 B/BT

01-12-2014

Part List ID
VISION2005

16

Pos	Part no.	Qty	Description
1	68749A	1	WELDMENT PEDAL 2000 II PNTD
2	85391A	3	SCR 1/4 -20X 5/8 PN*SY
3	51516A	3	BUSHING.TOP. 2000 PV
4	608210	3	SPACER-HANDLE BOLT
5	960952	1	BOLT. SHOULDER. 3/8 X 3/8
7	980680	1	WASHER SPRING 13/32 X 11/16
8	920110	1	NUT.LK 5/16-18 REG(PLTD)

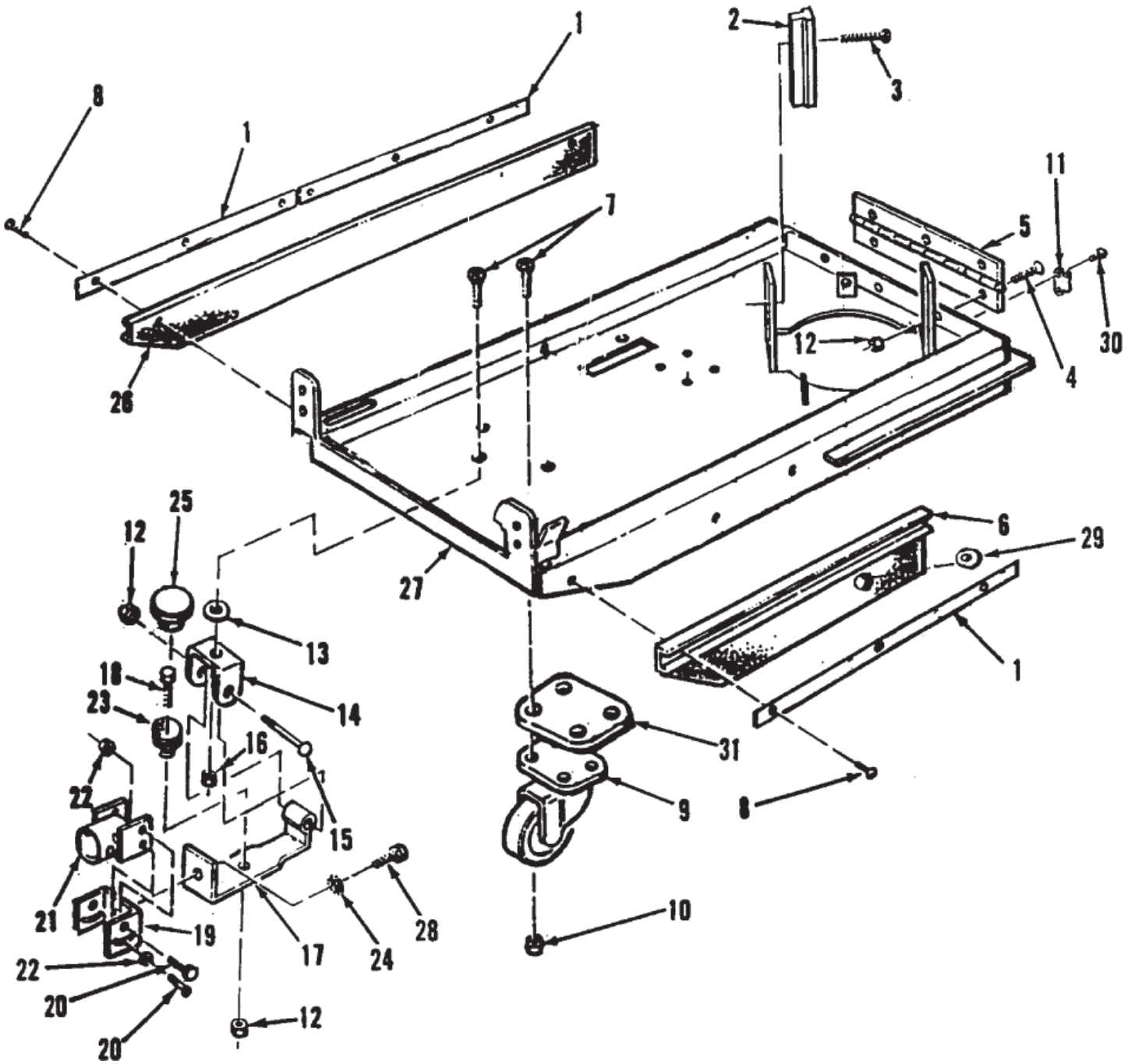
Frame assembly

Vision 20 B/BT

01-12-2014

Part List ID
VISION2006

17



Frame assembly

Vision 20 B/BT

01-12-2014

Part List ID
VISION2006

18

Pos	Part no.	Qty	Description
1	66962A	3	RETAINER. SKIRT.PNTD (VIS
2	38009A	2	SLIDE.MOTOR LIFT. 1700
3	84233A	7	SCR 1/4 -20X 3/4 FT*SY
4	85395A	3	SCREW.1/4-20 X 1/2 PAN HD
6	31229A	1	SKIRT. RIGHT HAND.(VISION
7	84238A	9	SCREW.5/16-18 X 3/4 FLAT
8	85397A	10	SCREW.10-24 X 3/8 PAN HD
9	52118B	2	CASTER.SWIVEL. 2 1/2in (2
10	920110	8	NUT.LK 5/16-18 REG(PLTD)
11	608537	1	STRIKE-HOUSING CLAMP
12	81104A	5	NUT. 1/4-20. ESNA TYPE SS
13	87027A	1	WASHER.2000 PV
14	61252A	1	BRACKET. SQUEEGEE SWIVEL
15	85396A	1	SCREW.1/4-20 X 2 PAN HD S
16	67867A	1	SPACER.SQUEEGEE SWIVEL. 1
17	68730B	1	ARM. WLDMT.. SQUEEGEE (PL
18	85518A	1	SCR 1/4 -20X 3/4 PN*SY
19	69028A	1	SWIVEL. SQUEEGEE (VISION
20	170915	4	SCREW.1/4-20 X 3/4 HX HD(SS)
21	60698A	1	BRACKET. SQUEEGEE (VISION
22	87026A	2	WASHER. .250. FLAT. SS
23	58612A	1	SPRING-COMPRESSION EXT-77
24	87614A	1	WASHER. LOCK. INTERNAL-EX
25	30517A	1	BUSHING.SQUEEGEE. 1700B+E
26	31228A	1	SKIRT. LEFT HAND.(VISION
28	85822A	1	SCREW. 3/8-16 X 7/8 HX CA
29	66946A	1	RETAINER. SHROUD ADJ.PNTD
30	85509A	2	SCREW. 6-32 X 1/4 PAN HEA
30	962981	1	SCR 10-00X 5/8 PN*ST TY
32	962958	1	screw
38	962987	1	SCR 10-24X 3/8 PN*ST TY
62	980657	1	WASHER.LK 1/4 STD

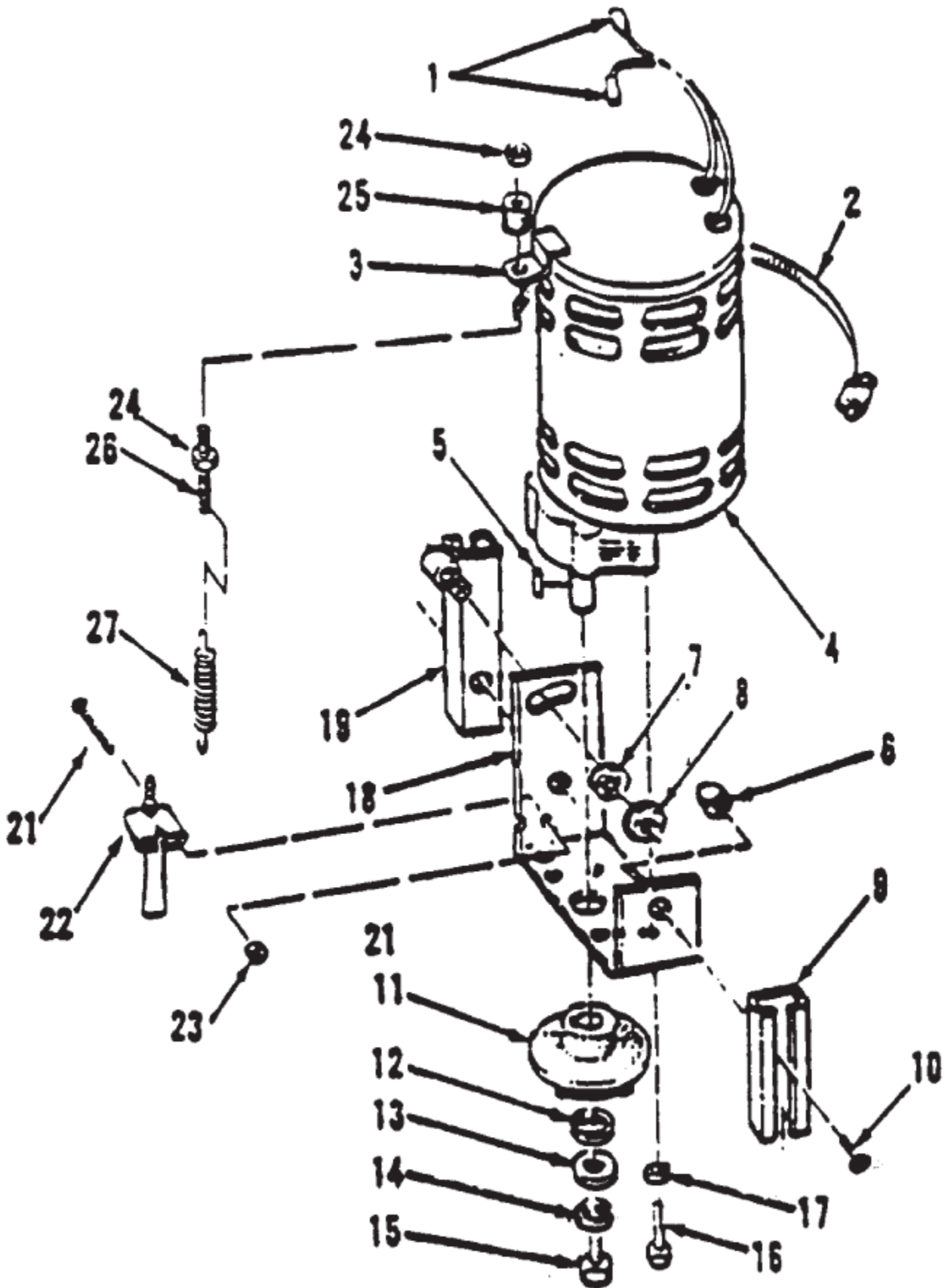
Brush Motor

Vision 20 B/BT

01-12-2014

Part List ID
VISION2007

19



Brush Motor

Vision 20 B/BT

01-12-2014

Part List ID
VISION2007

20

Pos	Part no.	Qty	Description
0	58901A	2	TIE-WIRE
2	762005	1	CLAMP
5	80501A	1	KEY. MTR SHAFT-3/16SQ X 1 1/4L
6	81104A	2	NUT. 1/4-20. ESNA TYPE SS
7	980662	1	WASHER-SH #1224-00 LOCK
8	67865A	1	SPACER.HANDLE LOCK.1700B+
9	63600A	1	GUIDE. R.H.. 1700
10	84242A	2	SCR 1/4-20 X 5/8 FT HD 10 0 DEG
11	20308A	1	ADAPTOR. MOTOR (1700 VDE)
12	980679	1	WASHER. 3/4 SAE FLAT PLTD
13	980210	1	WASHER - IMPELLER
14	980652	1	WASHER.LK 5/16 REG(PLTD)
15	85811A	1	SCREW.5/16-18 X 3/4 HX HD
16	85389A	4	SCR 3/8 -16X 5/8 PN*SY
17	980638	4	LOCKWASHER 3/8 LT SPRING
19	68761A	1	GUIDE WLDMT.. VISION 17/2
21	85392A	2	SCR 10-24 X 1&3/4 PN*SZ
22	830204	1	ADAPTOR-SOLUTION
23	81110A	2	NUT.HEX.ELASTIC LOCK.10-2
24	81111A	2	NUT HEX ELASTIC LOCK 3/8 - 16
25	65300A	1	KNOB-ADJUSTMENT
26	68004A	1	STUD-PAD ADJUSTMENT
27	818381	1	SPRING IDLER TEN TB16

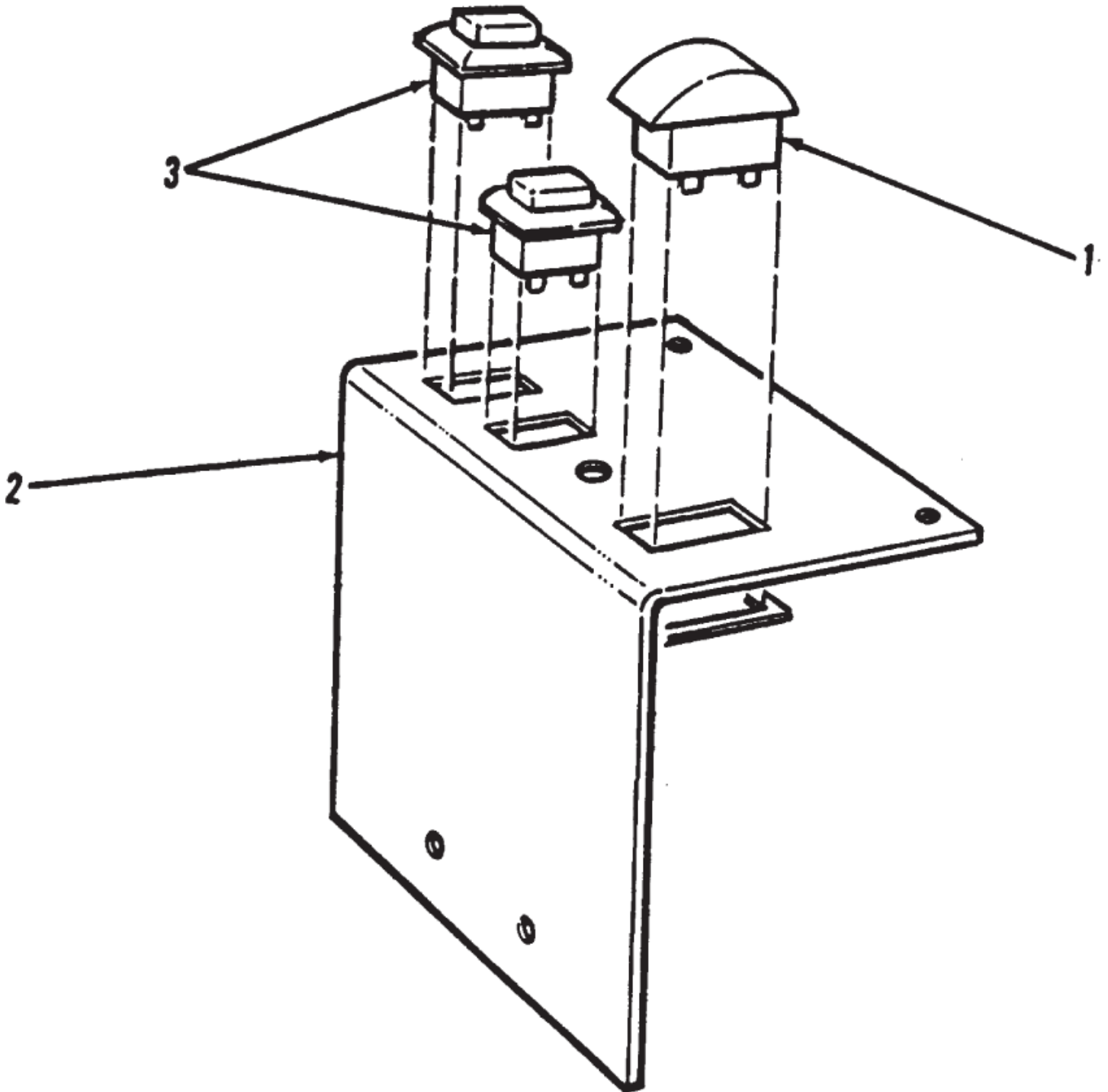
Panel assembly 20 B

Vision 20 B/BT

01-12-2014

Part List ID
VISION2008

21



Panel assembly 20 B

Vision 20 B/BT

01-12-2014

Part List ID
VISION2008

22

Pos	Part no.	Qty	Description
2	66179A	1	PANEL CONTROL VIS 17/20
3	47316B	2	SWITCH-ROCKER.DPST

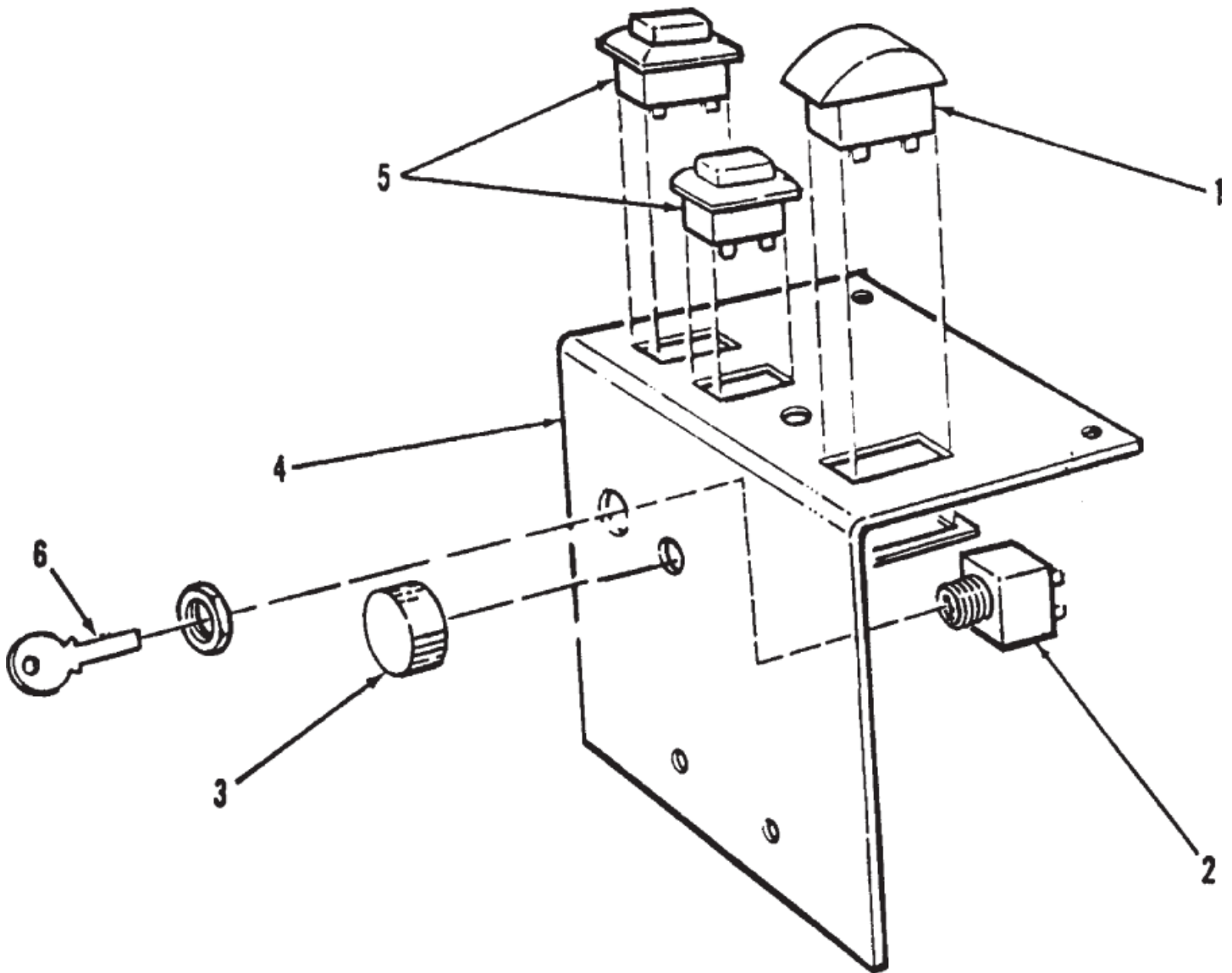
Panel assembly 20 BT

Vision 20 B/BT

01-12-2014

Part List ID
VISION2009

23



Panel assembly 20 BT

Vision 20 B/BT

01-12-2014

Part List ID
VISION2009

24

Pos	Part no.	Qty	Description
2	47380A	1	SWITCH.KEY . 32DLX/STD
3	55502A	1	SPEED CONTROL KNOB
5	47316B	2	SWITCH-ROCKER.DPST
6	55413A	1	KEY (26/32 VISION)FOR 473

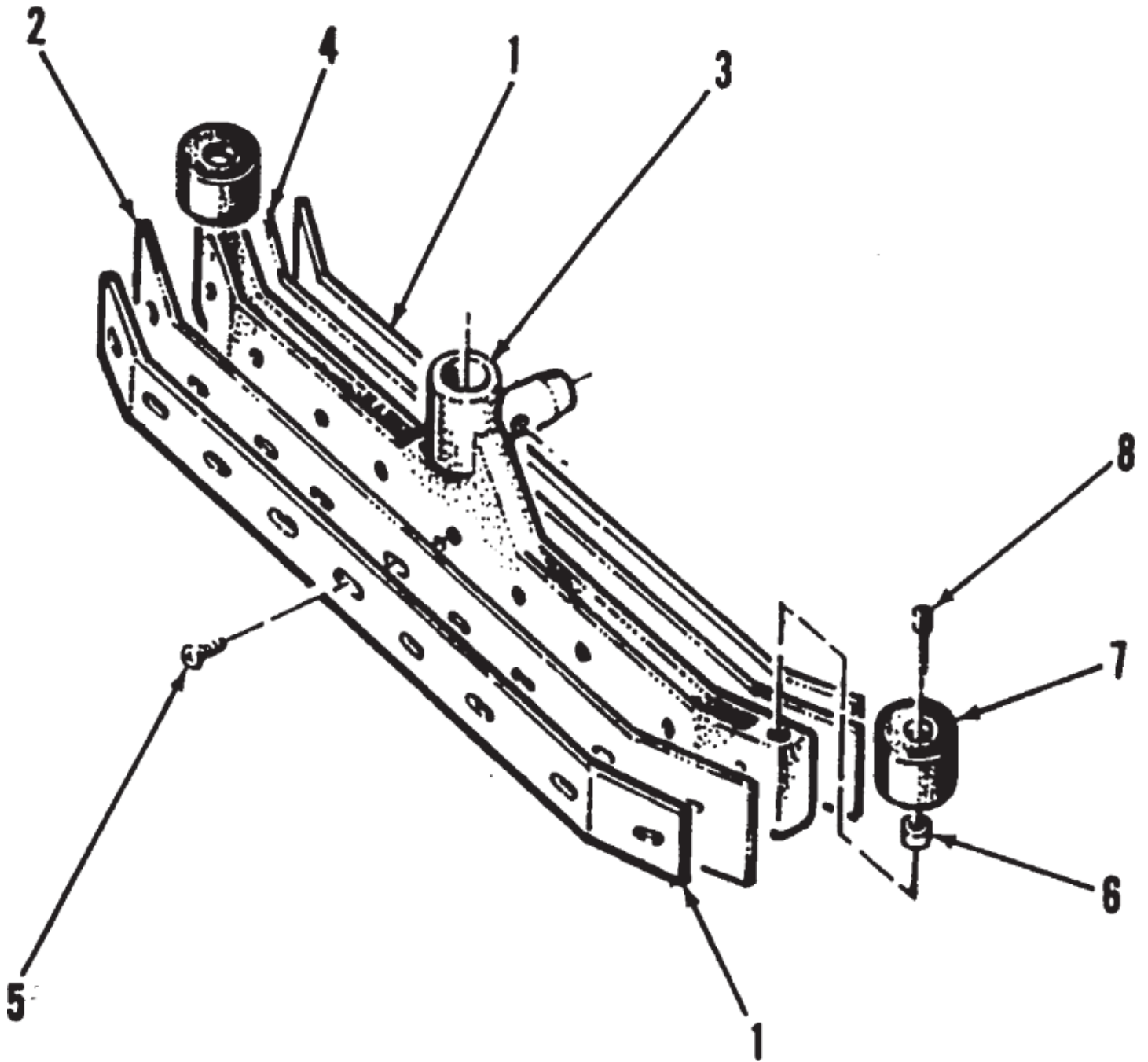
Squeegee Assembly

Vision 20 B/BT

01-12-2014

Part List ID
VISION2010

25



Squeegee Assembly

Vision 20 B/BT

01-12-2014

Part List ID
VISION2010

26

Pos	Part no.	Qty	Description
0	30902A	1	BLADE. SQ. REAR. GUM RUBB
0	30903A	1	BLADE. SQ. FRONT. GUM
1	66921B	2	RETAINER.SQUEEGEE S.S. LE
2	30919A	1	BLADE. SQ. REAR. NITRO/EP
3	27703A	1	CASTING. SQUEEGEE (2000 B
4	30918A	1	BLADE. SQ. FRONT. NYTRO/E
5	85398A	18	SCREW 1/4-20 X 1/2 PAN HD
6	838201	2	SPACER-WHEEL BR. GUIDE
7	839702	2	WHEEL-BRUSH GUIDE
8	962841	2	SCR 5/16-18X1&1/4 SC ST

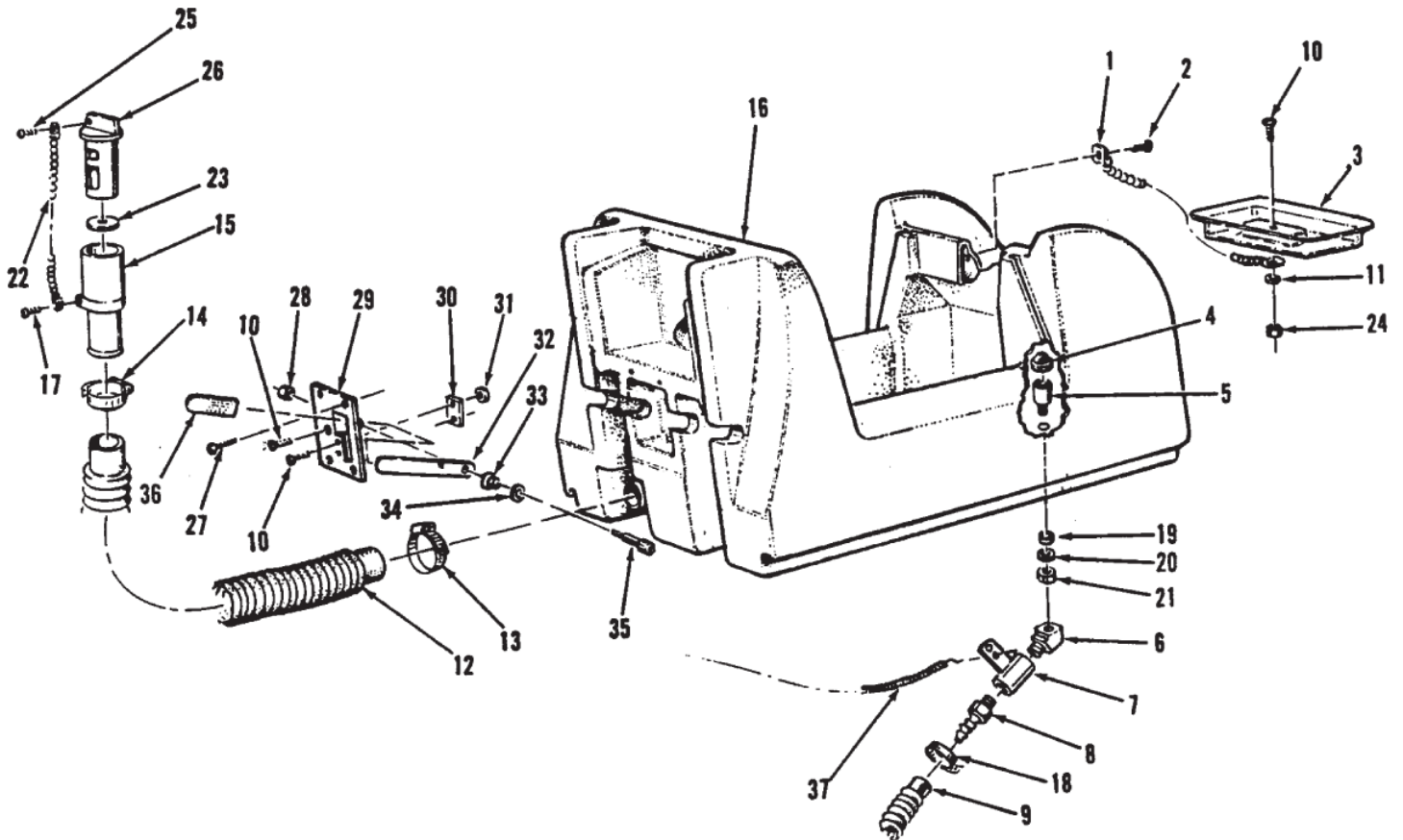
Solution tank

Vision 20 B/BT

01-12-2014

Part List ID
VISION2011

27



Solution tank

Vision 20 B/BT

01-12-2014

Part List ID
VISION2011

28

Pos	Part no.	Qty	Description
1	692409	1	CHAIN-COVER 925A
2	85519A	1	SCR 1/4 -20X 3/8 PN*SY
3	832322	1	COVER-SOL TANK
4	878535	1	STRAINER-SOL LINE
5	60317A	1	ADAPTOR.FILTER.2000 II
6	53614A	1	ELBOW-3/8X45 BRASS STREET
7	849401	1	VALVE-SOLUTION
8	53618A	1	ADAPTOR. 3/8 X 3/8 NPT NY
9	35138A	1	HOSE-SOLN TANK
10	962798	1	SCR 10-24X 1/2 PN*SS
11	980650	1	WASH-194IX323OX040 LOCK
12	30416A	1	HOSE. SOLUTION DRAIN (VIS
13	752020	1	CLAMP 450 SHAMPOOER VAC
14	832002	1	CLAMP-DRAIN VALVE
15	839401	1	VALVE-DRAIN
17	962958	1	screw
18	722021	1	CLAMP.HOSE #4
19	833401	1	GASKET-DRAIN
20	980630	1	WASH-3/4 ID PLAIN ST
21	920264	1	NUT-3/4-16X3/8 HEX JAM
22	52206A	1	CHAIN. COVER AUTOSCRUBER
23	833407	1	GASKET-DRAIN
24	920200	1	NUT.HEX 10-24(PLTD)
25	962987	1	SCR 10-24X 3/8 PN*ST TY
26	833901	1	HANDLE-DRAIN VALVE
27	84237A	2	SCREW.10-32 X 1/2 PAN HD
28	81104A	1	NUT. 1/4-20. ESNA TYPE SS
30	68646A	1	PLATE WEAR VISION 20
31	81110A	2	NUT.HEX.ELASTIC LOCK.10-2
32	64476A	1	HANDLE. SQUEEGEE LIFT.(VI
33	53030A	1	SPRING. TAPER.(VISION 20)
34	980646	1	WASHER. 1/4 SAE FLAT PLTD
35	52206A	1	CHAIN. COVER AUTOSCRUBER
36	52755A	1	COVER. HANDLE (EXT2100)
37	61647A	1	CABLE.SOLUTION.2000II

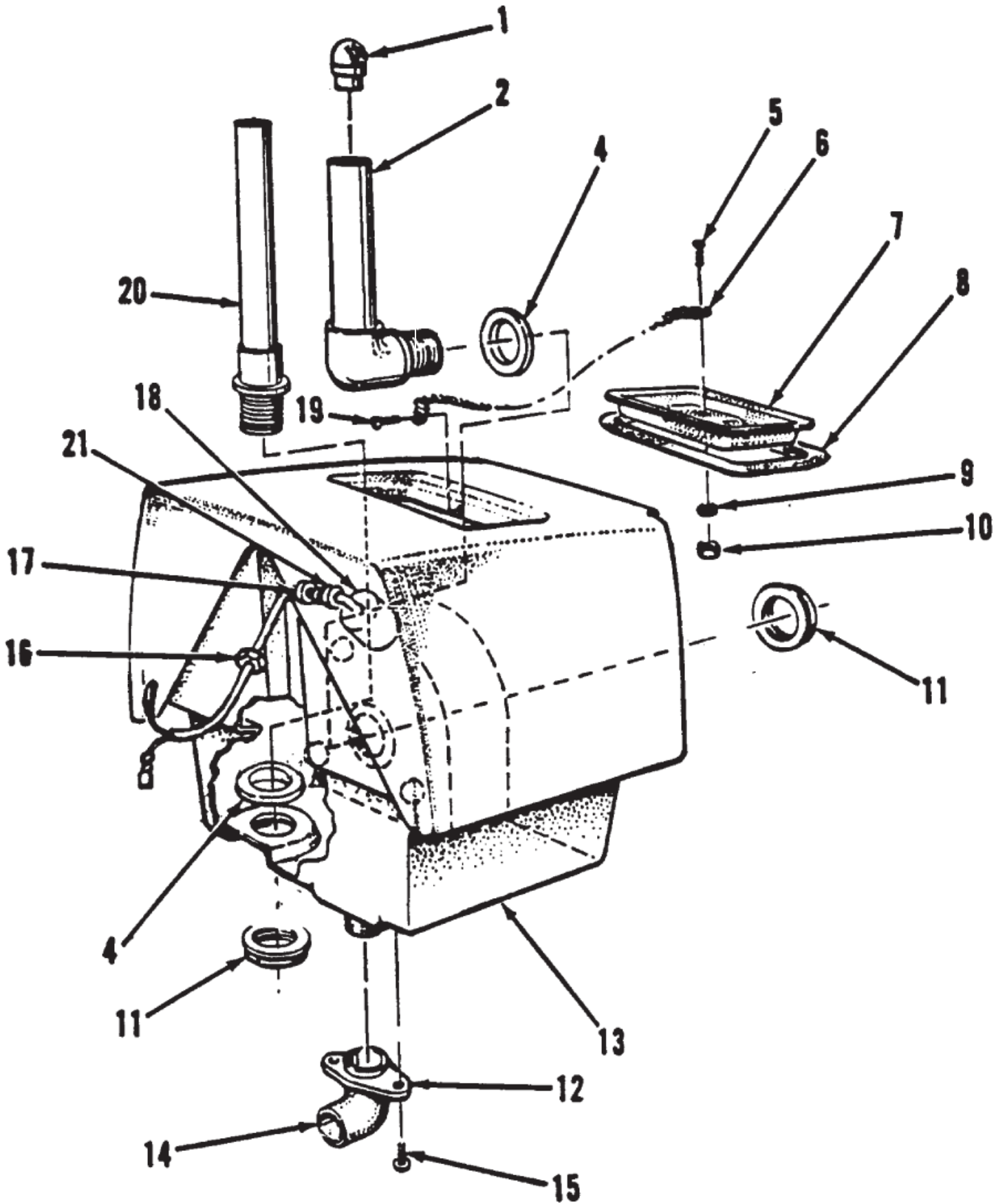
Recovery tank

Vision 20 B/BT

01-12-2014

Part List ID
VISION2012

29



Recovery tank

Vision 20 B/BT

01-12-2014

Part List ID
VISION2012

30

Pos	Part no.	Qty	Description
0	51828A	2	STRAP HOSE 5.00 LEADERS
1	58012A	1	STRAINER-REC.TANK 771-SER
4	837304	2	O'RING. RETAINER. PAPER B
5	962798	1	SCR 10-24X 1/2 PN*SS
6	692409	1	CHAIN-COVER 925A
7	832322	1	COVER-SOL TANK
8	34256B	1	GASKET REC IMAGE EXT 441
9	980650	1	WASH-194IX323OX040 LOCK
10	920200	1	NUT.HEX 10-24(PLTD)
11	920797	2	NUT DRAIN VALVE LOCK #813
13	38939B	1	TANK. RECOVERY. (VISION 2
14	53629A	1	ELBOW.DRAIN ADAPTOR. 1700
15	85395A	2	SCREW.1/4-20 X 1/2 PAN HD
16	82100A	1	LOCKNUT 1/2in CONDUIT
17	87612A	1	SEAL.WASHER.1700 BT II
18	14092A	1	KIT. FLOAT SWITCH(VISION
19	85519A	1	SCR 1/4 -20X 3/8 PN*SY
20	39323A	1	TUBE. RECOVERY (VISION 17
21	56459A	1	STRAIN RELIEF EXT-771 PBI

Support assembly 20 BT

Vision 20 B/BT

01-12-2014

Part List ID
VISION2013

32

Pos	Part no.	Qty	Description
5	608537	2	STRIKE-HOUSING CLAMP
6	85509A	4	SCREW. 6-32 X 1/4 PAN HEA
9	920056	2	NUT-6X32 ELASTIC STOP
10	878514	2	TB18 SOLENOID RBM 24V
11	61244A	5	BRKT..TANK.(PAINTED) 1700
13	41439B	1	BREAKER CIRCUIT 7A QD .25 STR
16	962212	2	SCR 6-32X &7/8 PN*ST
18	61246A	1	BRACKET.BAT PLUG.VIS 17/2
19	51828A	3	STRAP HOSE 5.00 LEADERS
20	85395A	9	SCREW. 1/4-20 X 1/2 PAN HD
21	87026A	3	WASHER. .250. FLAT. SS

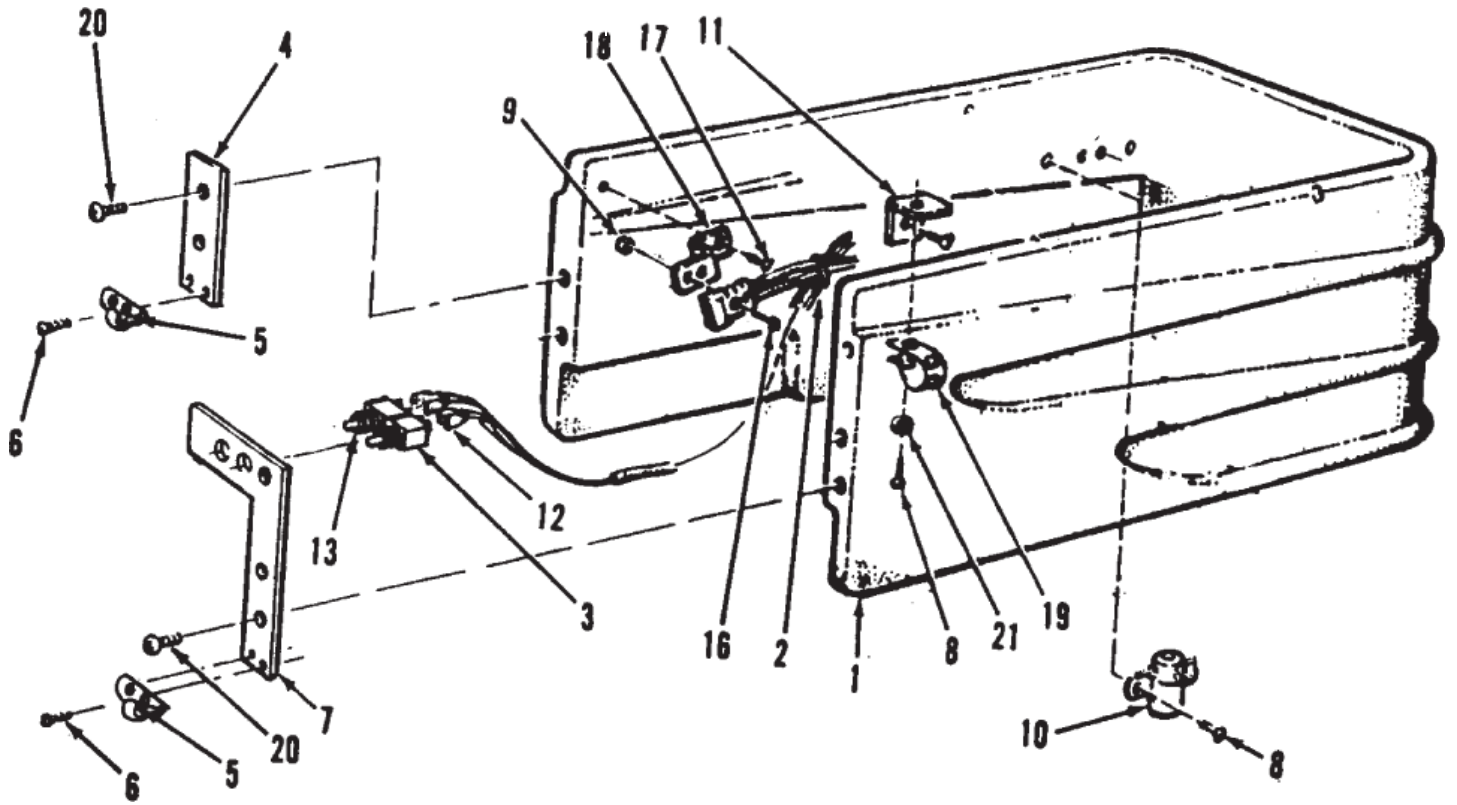
Support assembly 20 B

Vision 20 B/BT

01-12-2014

Part List ID
VISION2014

33



Support assembly 20 B

Vision 20 B/BT

01-12-2014

Part List ID
VISION2014

34

Pos	Part no.	Qty	Description
5	608537	2	STRIKE-HOUSING CLAMP
6	85509A	4	SCREW. 6-32 X 1/4 PAN HEA
9	920056	2	NUT-6X32 ELASTIC STOP
10	878514	2	TB18 SOLENOID RBM 24V
11	61244A	5	BRKT..TANK.(PAINTED) 1700
16	962212	2	SCR 6-32X &7/8 PN*ST
18	61246A	1	BRACKET.BAT PLUG.VIS 17/2
19	51828A	3	STRAP HOSE 5.00 LEADERS
20	85395A	9	SCREW.1/4-20 X 1/2 PAN HD
21	87026A	3	WASHER. .250. FLAT. SS

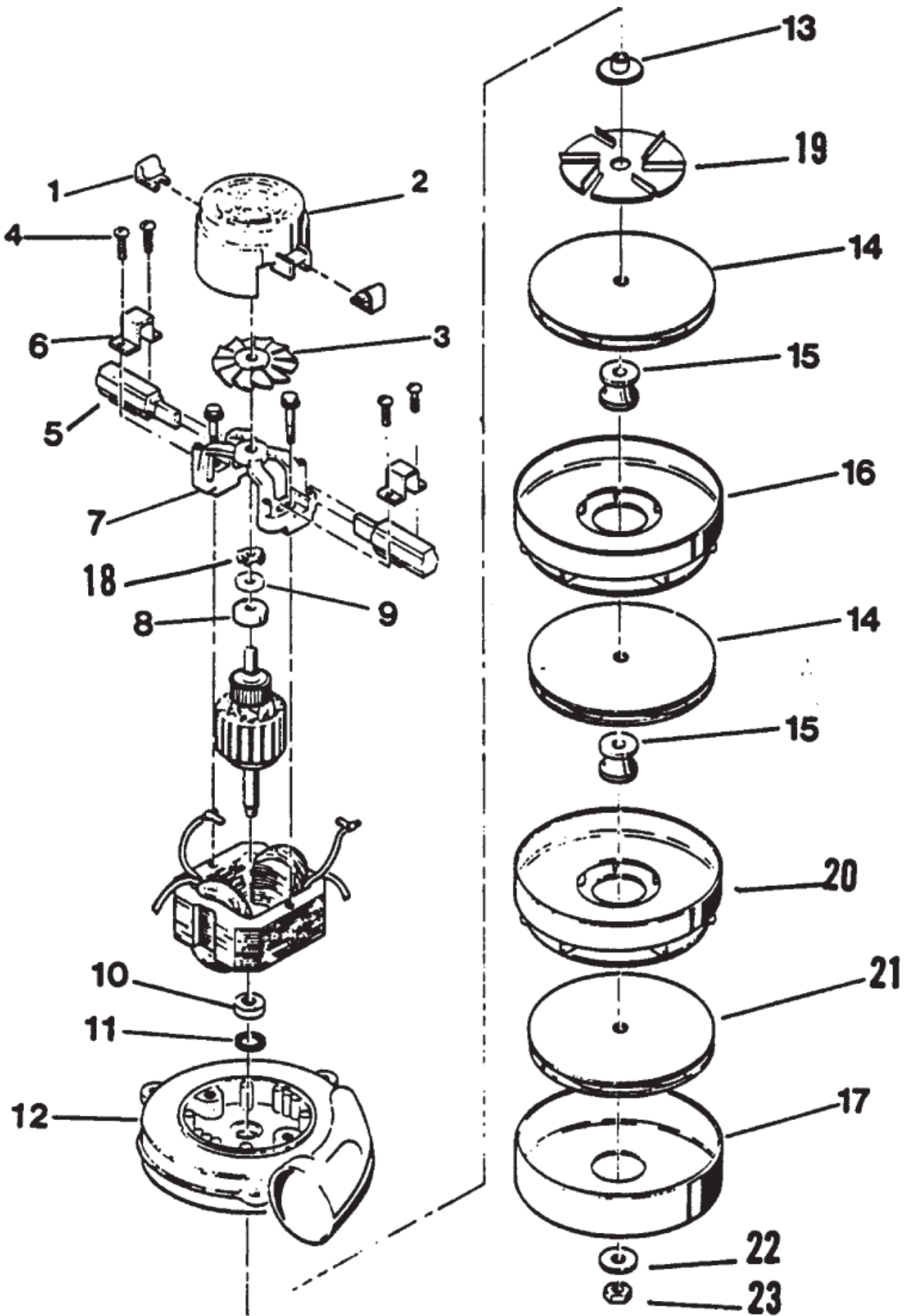
Vacuum motor

Vision 20 B/BT

01-12-2014

Part List ID
VISION2015

35



Vacuum motor

Vision 20 B/BT

01-12-2014

Part List ID
VISION2015

36

Pos	Part no.	Qty	Description
1	51913A	2	CLIP
2	54809A	1	HOUSING
4	85303A	4	SCR 8-32X 3/8 PN*ST MA
5	40817A	2	BRUSH.CARBON 2000B VAC MO
6	51914A	2	CLAMP
7	50618A	1	BRACKET-END COMM.
11	59803A	1	WASHER-NEOPRENE (685202-4
14	53914A	2	FAN
15	658201	2	SPACER

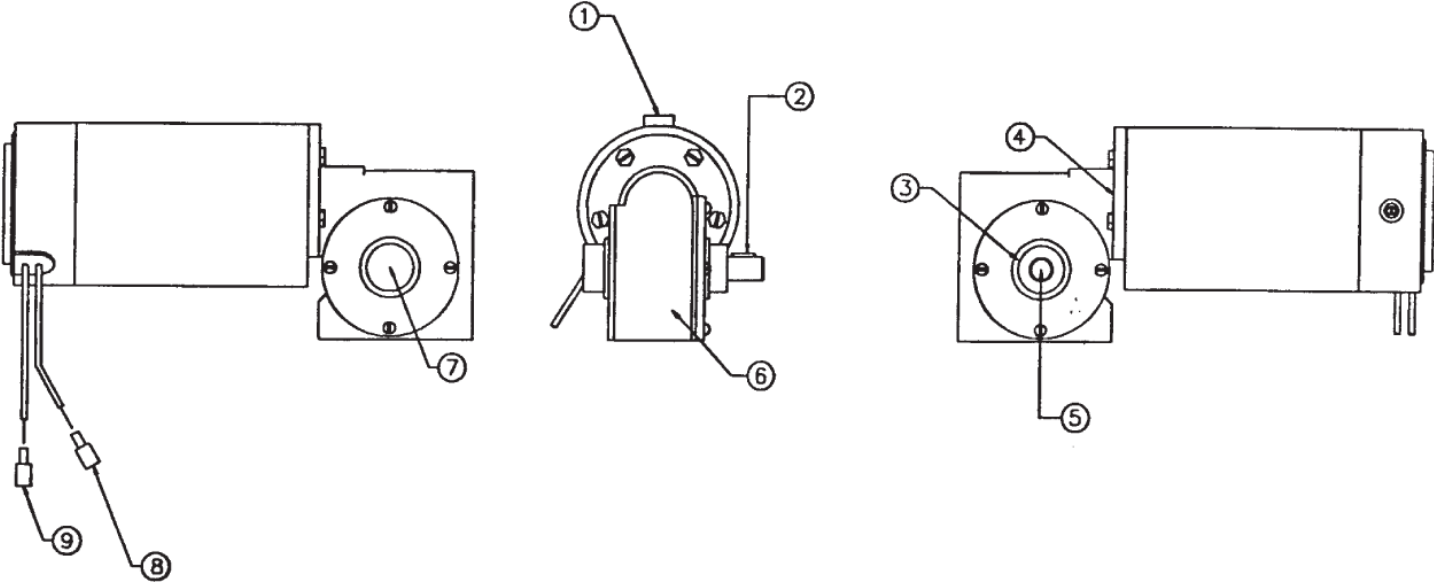
Motor Traverse

Vision 20 B/BT

01-12-2014

Part List ID
VISION2016

37



Motor Traverse

Vision 20 B/BT

01-12-2014

Part List ID
VISION2016

38

Pos	Part no.	Qty	Description
1	40412A	2	BRUSH CARBON
3	58520A	1	SPACERSLEEVEGEARBOX FOR 450
5	54417A	1	GEAR ASM. (FOR 45035D)
7	52061A	1	GEAR HEAD CAP (FOR 45035D)
8	47709A	1	TERMINAL 1/4 FIFQD 12-10G A
9	47709A	1	TERMINAL 1/4 FIFQD 12-10G A

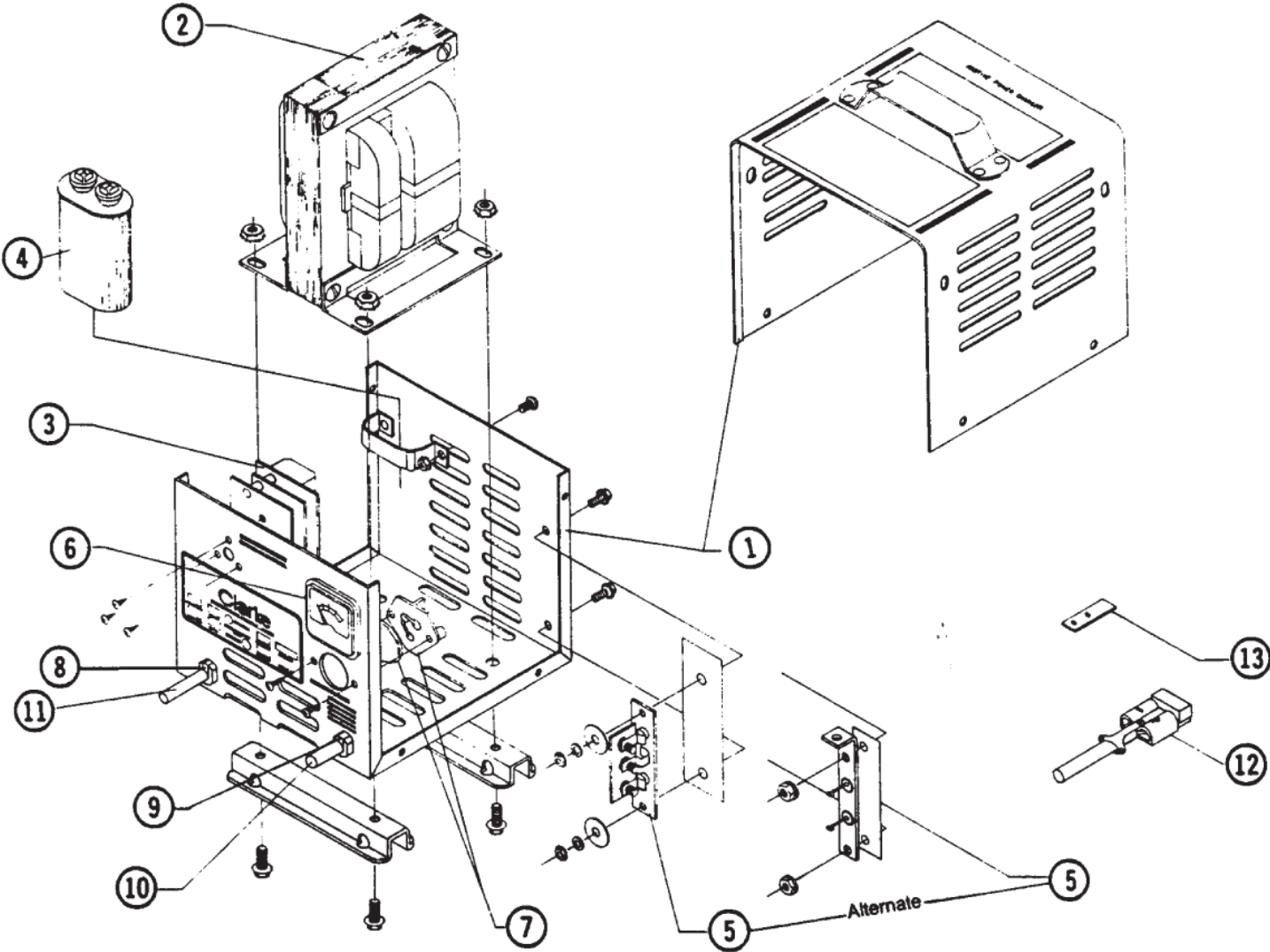
Battery charger

Vision 20 B/BT

01-12-2014

Part List ID
VISION2017

39



Battery charger

Vision 20 B/BT

01-12-2014

Part List ID
VISION2017

40

Pos	Part no.	Qty	Description
1	41129A	1	ASM-MODEL 13080 CASE
3	48200A	1	Timer Electronic (Smart)
4	912132	1	CAPACITOR.6 MFD
5	56373047	1	HEAT SINK ASSY W/DI E00074
6	40200A	1	AMMETER.DC 0-35 AMPS
7	912382	1	FUSE ASS'Y (832415-4)
9	747553	1	STRAIN RELIEFSR7W2 CM20
10	51986A	1	CORD SETDC W/PLUG KEY
11	51974A	1	CORD 78 POWER FOR 40503A 6
11	908947	1	CORD ASM-AC 230V LESTER 9108
12	911470	1	HOUSING.CONNECTOR.RED. (2
13	795020	1	KEY CHARGER PLUG SPS-28

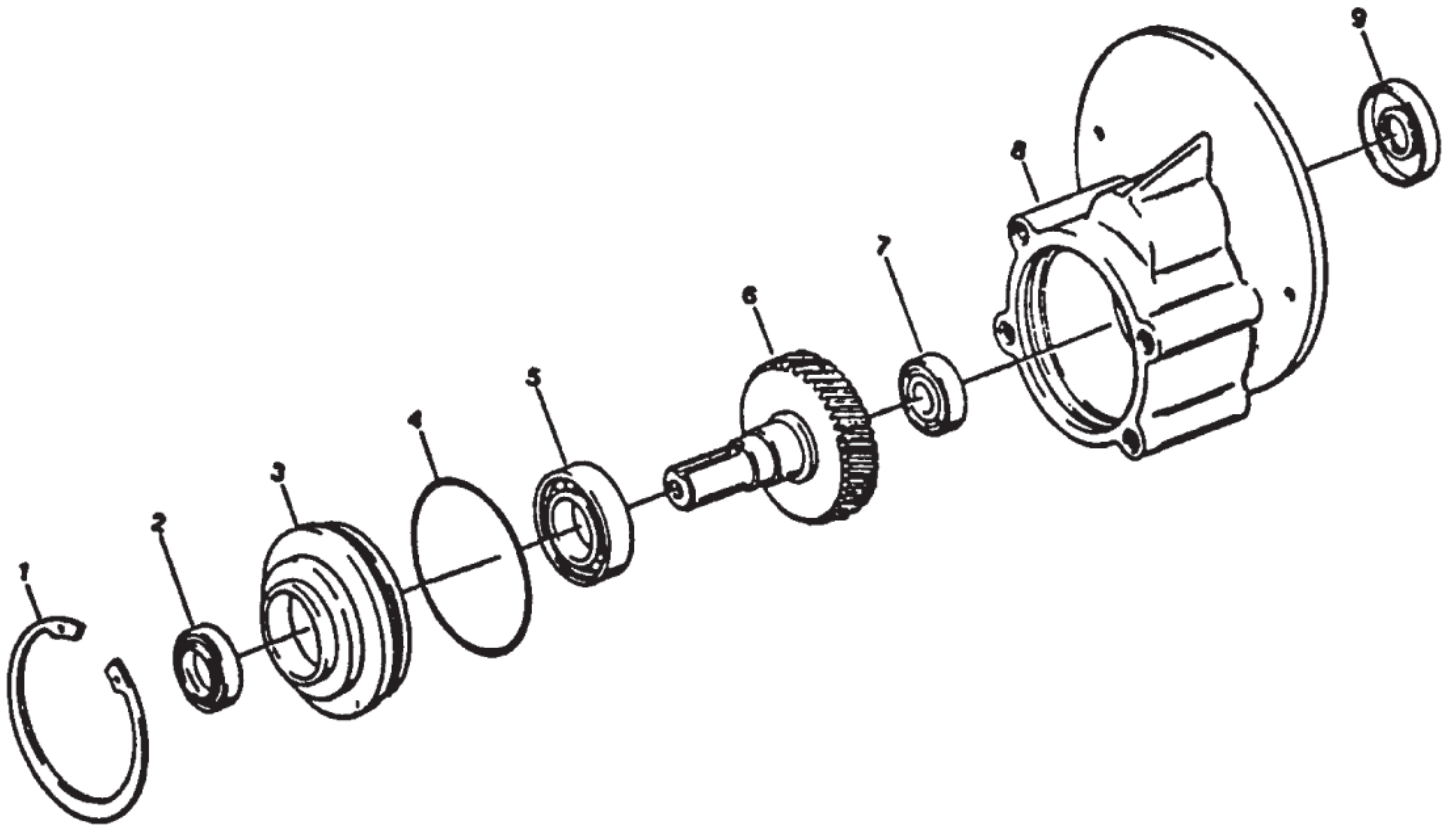
Gearbox

Vision 20 B/BT

01-12-2014

Part List ID
VISION2018

41



Gearbox

Vision 20 B/BT

01-12-2014

Part List ID
VISION2018

42

Pos	Part no.	Qty	Description
1	57846A	1	RING KIT.SNAP.INTERNAL.GE
3	52050A	1	CAP. END. GEAR BOX 1700/2
4	56668A	1	O-RING. GEARBOX. (1700/20
5	51176A	1	BEARING. BALL 6005 SERIES
6	58316A	1	SHAFT AND GEAR. GEARBOX 1
7	902605	1	BRG 710 730 TB16 TB18
8	54883A	1	HOUSING. GEARBOX. 1700/20
9	58144A	1	SEAL. OIL 1.628 OD X .75

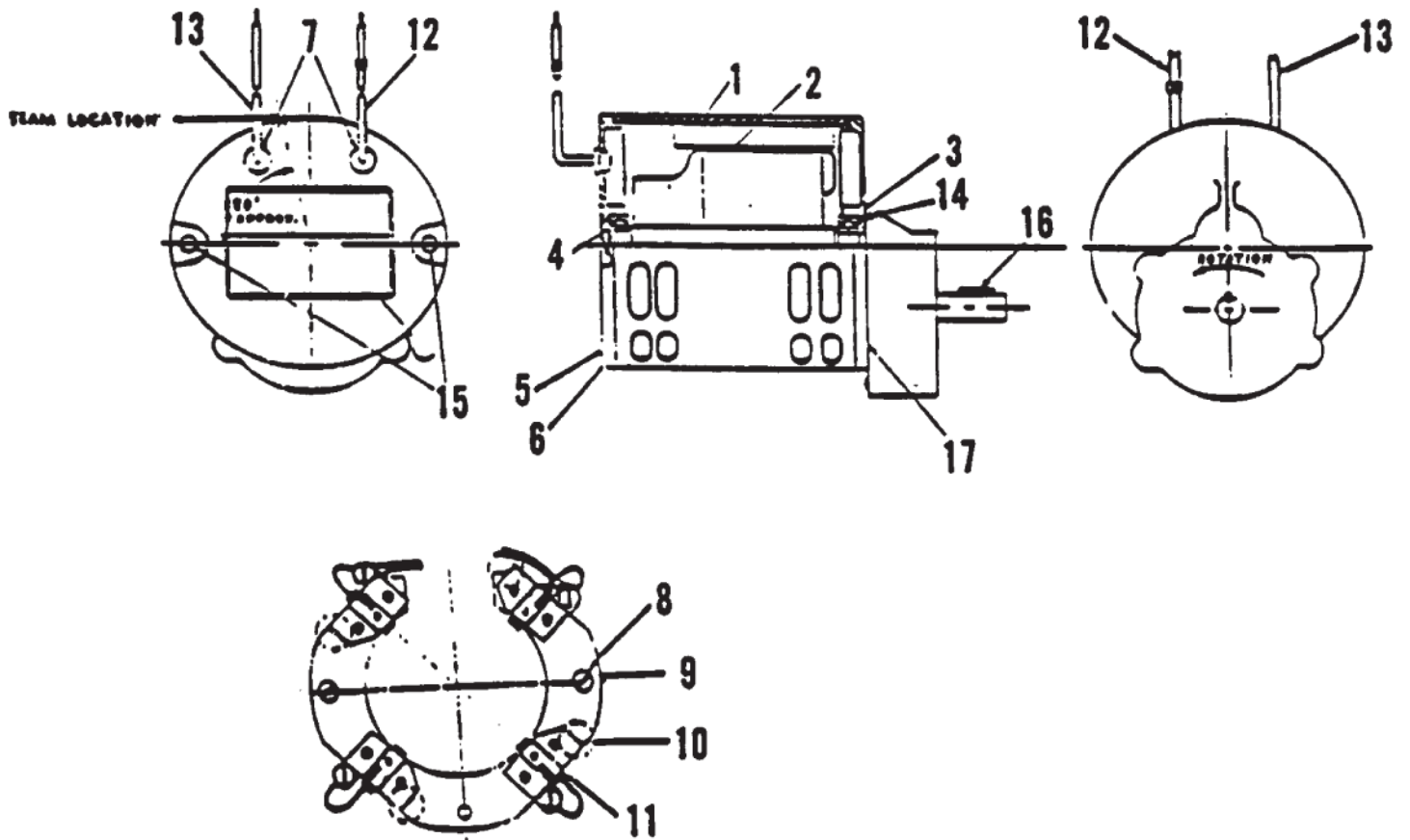
Brush motor

Vision 20 B/BT

01-12-2014

Part List ID
VISION2019

43



Brush motor

Vision 20 B/BT

01-12-2014

Part List ID
VISION2019

44

Pos	Part no.	Qty	Description
1	56478A	1	STATOR ASM
2	50142A	1	ARMATURE. ASM. 1700/2000
3	902654	1	BEARING
4	902550	1	BEARING
5	51840A	1	COMMUTATOR ASM. BRACKET 1700/
6	50520A	1	BRACKET COMMUTATOR 1700/2000
7	56480A	2	STRAIN RELIEF MOTOR 1700/2000
8	962546	2	SCR 10-24X 1/2 PN*ST TY
9	50517A	1	BOARD. ASM. BRUSH 1700/20
10	448396	4	SPRING-BRUSH #571001
11	40826A	4	BRUSH ASM.CARBON (V32I/26
12	55657A	1	LEAD ASM POSTIVE FOR MTR NO.44
13	55656A	1	LEAD ASM NEGATIVE FOR MTR NO.4
14	59805A	1	WASHER-HELICAL
15	50515A	2	BOLTTHRU 1/4-20 X 7 5/8 HEX H
17	54238A	1	GEARBOX ASSEMBLY 1700/200