

SCRUBTEC R6

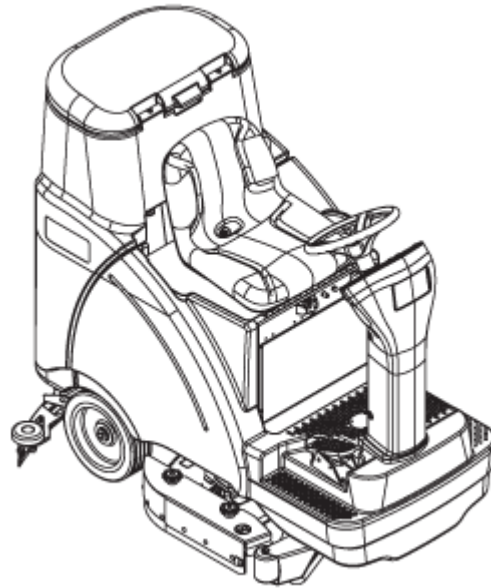
Model:

SCRUBTEC R 6100

SCRUBTEC R 671

SCRUBTEC R 671 C

SCRUBTEC R 686



Part List US-English

29-09-2014

Table of Contents

SCRUBTEC R6

GENERAL VIEW	3
CHASSIS SYSTEM	5
CONTROL SYSTEM	8
DECAL SYSTEM	11
ELECTRICAL SYSTEM	13
RECOVERY SYSTEM	16
SCRUB SYSTEM-71 CYLINDRICAL	18
SCRUB SYSTEM-71 DISK	22
SCRUB SYSTEM-86 DISK	26
SCRUB SYSTEM-100 DISK	30
SCRUB SYSTEM-CYLINDRICAL SKIRT ASSEMBLIES	34
SCRUB SYSTEM-71-86 DISK SKIRT ASSEMBLIES	36
SCRUB SYSTEM-100 DISK SKIRT ASSEMBLIES	38
SOLUTION SYSTEM	40
SQUEEGEE MOUNT SYSTEM	42
SQUEEGEE ASSY-71	44
SQUEEGEE ASSY-86	46
SQUEEGEE ASSY-100	48
LADDER DIAGRAM-1	50
LADDER DIAGRAM-2	52
Ladder Diagram-1 After June 2014	54
Ladder Diagram-2 After June 2014	56
OPTIONAL KITS AND ACCESSORIES	58
BRUSH SELECTOR GUIDE-DISK	61
CYLINDRICAL BRUSH GUIDE-CYLINDRICAL	63
SQUEEGEE BLADE SELECTOR GUIDE	65
KIT-EU ON BOARD CHARGER - 56114260	67
DETERGENT INJECTION KIT - 56114088	69
VACUUM SOUND REDUCTION KIT - 56114246	71
WARNING BEACON KIT - 56114253	73
DUAL VAC MOTOR KIT - 56114245	75
USER INTERFACE PANEL KIT - 56114299	77
RECOMMENDED SPARE PARTS	79

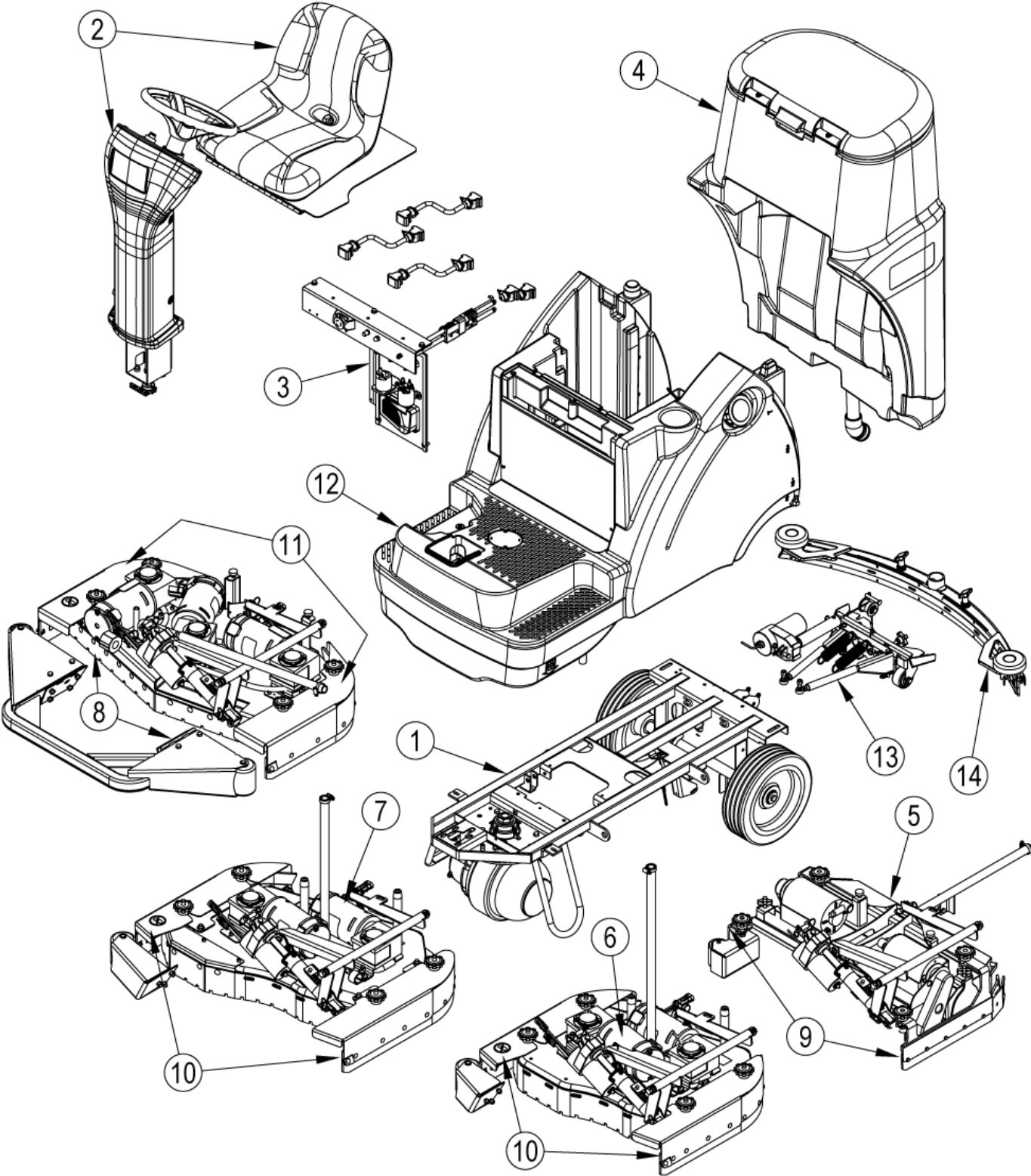
GENERAL VIEW

SCRUBTEC R6

29-09-2014

Part List ID
SCR602

3



GENERAL VIEW

SCRUBTEC R6

29-09-2014

Part List ID SCR602

4

Pos	Part no.	Qty	Description
1		1	NOTE COMMENT CHASSIS SYSTEM
2		1	NOTE COMMENT CONTROL SYSTEM
3		1	NOTE COMMENT ELECTRICAL SYSTEM
4		1	NOTE COMMENT RECOVERY SYSTEM
5		1	NOTE COMMENT SCRUB SYSTEM-71 CYLINDRICAL
6		1	NOTE COMMENT SCRUB SYSTEM-71 DISK
7		1	NOTE COMMENT SCRUB SYSTEM-86 DISK
8		1	NOTE COMMENT SCRUB SYSTEM-100 DISK
9		1	NOTE COMMENT SCRUB SYSTEM-CYLINDRICAL SKIRT ASSEMBLIES
10		1	NOTE COMMENT SCRUB SYSTEM-71-86 DISK SKIRT ASSEMBLIES
11		1	NOTE COMMENT SCRUB SYSTEM-100 DISK SKIRT ASSEMBLIES
12		1	NOTE COMMENT SOLUTION SYSTEM
13		1	NOTE COMMENT SQUEEGEE MOUNT SYSTEM
14		1	NOTE COMMENT SQUEEGEE ASSY-71
14		1	NOTE COMMENT SQUEEGEE ASSY-86
14		1	NOTE COMMENT SQUEEGEE ASSY-100

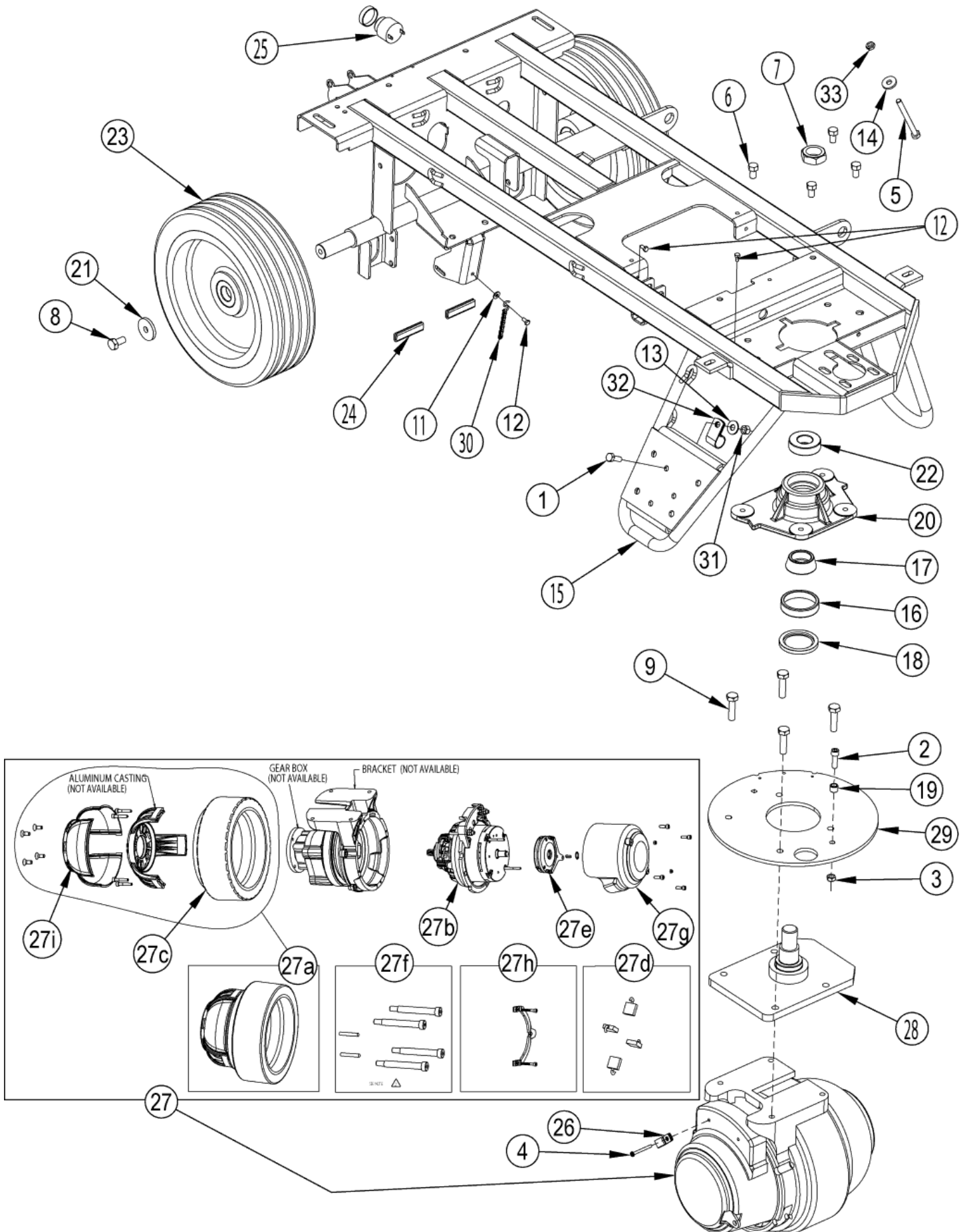
CHASSIS SYSTEM

SCRUBTEC R6

29-09-2014

Part List ID
SCR604

5



CHASSIS SYSTEM

SCRUBTEC R6

29-09-2014

Part List ID
SCR604

6

Pos	Part no.	Qty	Description	
1		1	NOTE COMMENT	INCL. IN K1, SCR-HEX 5/16-18 X .88
2		1	NOTE COMMENT	SCR, SOC HD 5/16-18 X 1.00
3		1	NOTE COMMENT	NUT, HEX NYL LOC-THIN
4		1	NOTE COMMENT	Scr Pan Phil SS M4-.07 x 40mm
5		1	NOTE COMMENT	SCR, HEX THD TO HD 5/16-18 X 3.50
6		4	NOTE COMMENT	SCR, HEX HD LOC
7		1	NOTE COMMENT	NUT, HEX NYL LOC-THIN 1-14
8	56003442	2	SCR HEX LOC M10-1.50X20MM	
9		4	NOTE COMMENT	SCR-HEX M10-1.5 X 40MM
11		1	NOTE COMMENT	WSH, INT SHPRF 10
12		3	NOTE COMMENT	SCR, HEX THD FORM 10-24 X .38
13		1	NOTE COMMENT	WSH, FLT STD 5/16
14		1	NOTE COMMENT	WSH, FLT .344 X .938 X .125
15	56114199	1	CHASSIS WELDMENT	
16		1	NOTE COMMENT	BEARING CUP
17		1	NOTE COMMENT	BEARING CONE
18		1	NOTE COMMENT	SEAL, SHAFT
19		1	NOTE COMMENT	BUSHING
20		1	NOTE COMMENT	BLOCK, BEARING
21	56367117	2	WSH FLT STEEL .406CV31C	
22		1	NOTE COMMENT	BEARING BALL
23	56382693	2	WHEEL	
24	56412122	2	TRIM EDGE	
25	56412177	1	HORN BACKUP ALARM	
26		1	NOTE COMMENT	CLAMP-P
27	56601050	1	MOTOR DRIVE WHEEL	
28		1	NOTE COMMENT	SPINDLE WELDT
29		1	NOTE COMMENT	PLATE, STEERING
30		1	NOTE COMMENT	GROUND CHAIN
31		1	NOTE COMMENT	NUT, HEX NYL LOC 5/16-18
32		1	NOTE COMMENT	CLAMP-P
33		1	NOTE COMMENT	NUT, HEX JAM 5/16-18
K1	56114271	1	PLATE KIT-STEERING	Includes pos. 2,3,4,9,10,19,26,29
K2	56114272	1	SPINDLE KIT-MOTOR	Includes pos. 7,28
K3	56114274	1	CHAIN KIT-GROUND	Includes pos. 11,12
K4	56114348	1	HARDWARE KIT-CHASSIS SYSTEM	Includes pos. 1,5,13,14,31,32,33
K5	56344181	1	BEARING KIT-SPINDLE	Includes pos. 16,17,18,22
K6	56344188	1	BEARING BLOCK ASSEMBLY	Includes pos. 6,16,17,18,20,22
27A	56601472	1	TIRE WITH HUB	(for 56601050)
27B	56601473	1	MOTOR	(for 56601050)
27C	56601471	1	TIRE	(for 56601050)

NOTE 1: Puller Kit 56422174 is required in order to replace the tire only.

K1 includes. pos. 2,3,4,9,10,19,26,29

K2 includes. pos. 7,28

K3 includes. pos. 11,12

K4 includes. pos. 1,5,13,14,31,32,33

CHASSIS SYSTEM

SCRUBTEC R6

29-09-2014

Part List ID
SCR604

7

Pos	Part no.	Qty	Description
27D	56601509	1	CARBON BRUSH KIT (for 56601050)
27E	56601507	1	PARKING BRAKE (for 56601050)
27F	56422174	1	TIRE PULLER KIT (for 56601050) NOTE 1
27G	56504482	1	COVER DRIVE MOTOR (for 56601050)
27H	56380310	1	KIT BRAKE LEVER
27I	56504481	1	COVER GEARBOX MOTOR

NOTE 1: Puller Kit 56422174 is required in order to replace the tire only.

K1 includes. pos. 2,3,4,9,10,19,26,29

K2 includes. pos. 7,28

K3 includes. pos. 11,12

K4 includes. pos. 1,5,13,14,31,32,33

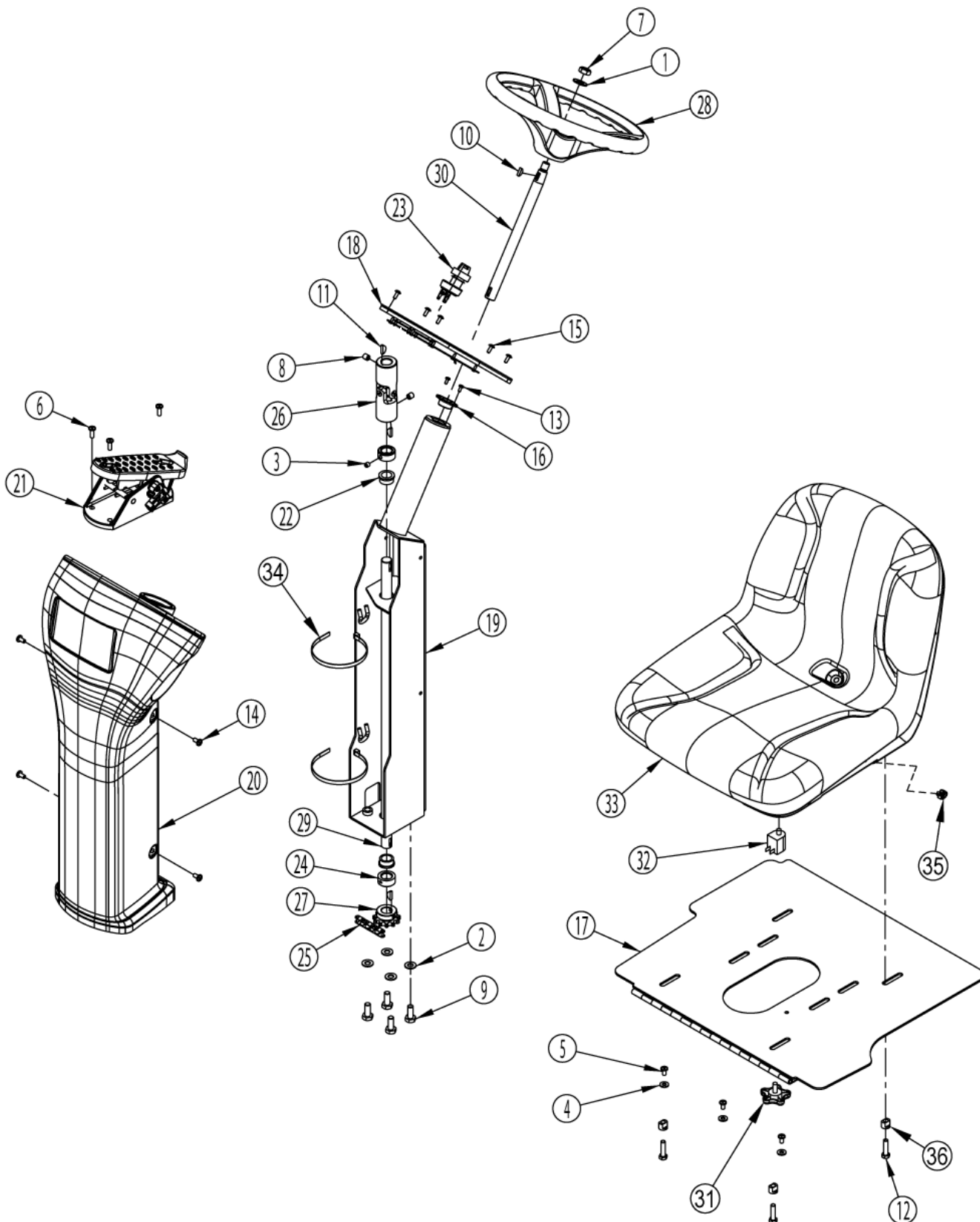
CONTROL SYSTEM

SCRUBTEC R6

29-09-2014

Part List ID
SCR606

8



CONTROL SYSTEM

SCRUBTEC R6

29-09-2014

Part List ID
SCR606

9

Pos	Part no.	Qty	Description	
1		1	NOTE COMMENT	WSH-FLT SAE 1/2
2		4	NOTE COMMENT	WSH, FLT SAE 3/8
3		2	NOTE COMMENT	SCR, SOC SET LOC 5/16-18 X .25
4		3	NOTE COMMENT	WSH, FLT SAE 1/4
5		3	NOTE COMMENT	SCR-PAN PHIL 1/4-20 X .50
6		3	NOTE COMMENT	SCR-PAN PHIL 1/4-20 X .75
7		1	NOTE COMMENT	NUT, HEX NYL LOC-THIN
8		2	NOTE COMMENT	SCR, SOC SET LOC 3/8-16 X .38
9		4	NOTE COMMENT	SCR, HEX THD TO HD M10-1.5 X 25MM
10		1	NOTE COMMENT	KEY, WDF .62 X .19
11		3	NOTE COMMENT	KEY, WDF .75 X .19
12		3	NOTE COMMENT	Scr-Hex5/16-18 x 1.25
13		2	NOTE COMMENT	SCR, PAN PHIL THD FORM 8-32 X .38
14		4	NOTE COMMENT	SCR, PAN PHIL THD FORM 1/4-20 X .50
15		5	NOTE COMMENT	SCR, TRUSS PHIL-BLK 10-24X.50
16		1	NOTE COMMENT	BUSHING
17	56114054	1	SEAT PANEL WELDT	
18		1	NOTE COMMENT	USER INTERFACE PANEL ASSEMBLY (A1)
19	56114098	1	STEERING COLUMN WELDT	
20	56114150	1	SHROUD-COLUMN	
21		1	NOTE COMMENT	FOOT PEDAL ASSY
22		2	NOTE COMMENT	BEARING, FLANGE
23	56303553	1	KEY SWITCH ASSEMBLY	
24		2	NOTE COMMENT	COLLAR, SHAFT
25	56412198	1	CHAIN ROLLER 2 LINKS W/CHAIN	
26	56454081	1	U-JOINT	
27		1	NOTE COMMENT	SPROCKET
28	56601060	1	STEERING WHEEL	
29	56601223	1	SHAFT LOWER STEERING	
30		1	NOTE COMMENT	SHAFT, UPPER STEERING
31		1	NOTE COMMENT	KNOB, 5/16 STUD
32	7-82-00050	1	SWITCH SEAT	
33		1	NOTE COMMENT	SEAT - NOTE 1
34	56477613	2	CABLE TIE E00549 RE409S	
35	56315382	1	CLIP CONDUIT	
36		3	NOTE COMMENT	Flanged Bushing Seat
K1	56383240	1	SEAT KIT	Includes. pos. 32,33
K2	56114298	1	SHAFT KIT-UPPER STEERING	Includes. pos. 1,7,30
K3	56114299	1	USER INTERFACE PANEL KIT	Includes. pos. 15,18

- K1 includes. pos. 32,33
- K2 includes. pos. 1,7,30
- K3 includes. pos. 15,18
- K4 includes. pos. 6,21
- K5 includes. pos. 3,8,11,13,14,16,22,24,27
- K6 includes. pos. 2,9
- K7 includes. pos. 4,5,12,31

CONTROL SYSTEM

SCRUBTEC R6

29-09-2014

Part List ID
SCR606

10

Pos	Part no.	Qty	Description	
K4	56114300	1	FOOT PEDAL KIT	Includes. pos. 6,21
K5	56114302	1	HARDWARE KIT-STEERING COLUMN	Includes. pos. 3,8,11,13,14,16,22,24,27
K6	56114303	1	HARWARE KIT-STEERING MOUNT	Includes. pos. 2,9
K7	56114304	1	HARDWARE KIT-SEAT	Includes. pos. 4,5,12,31

K1 includes. pos. 32,33
K2 includes. pos. 1,7,30
K3 includes. pos. 15,18
K4 includes. pos. 6,21
K5 includes. pos. 3,8,11,13,14,16,22,24,27
K6 includes. pos. 2,9
K7 includes. pos. 4,5,12,31

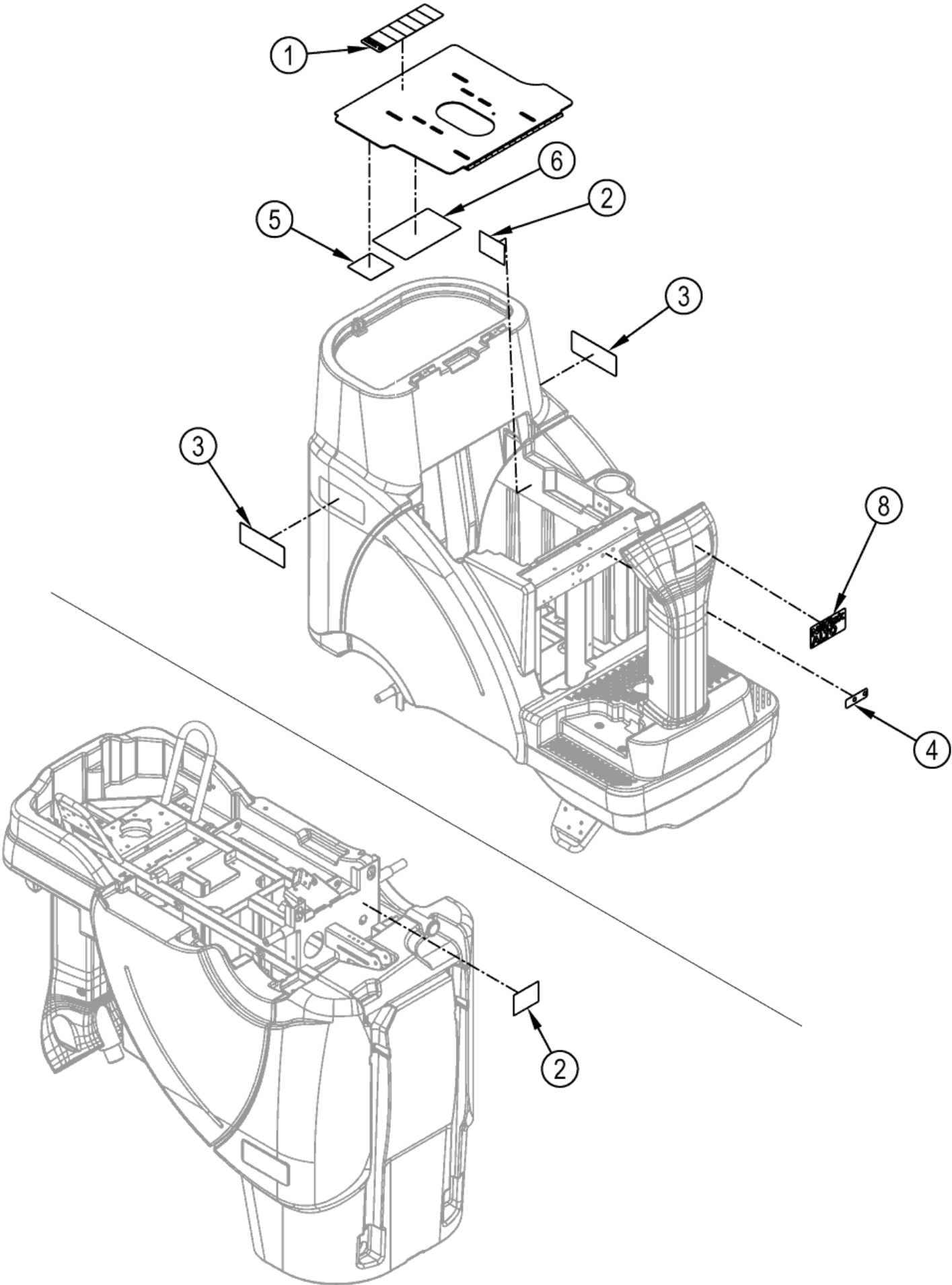
DECAL SYSTEM

SCRUBTEC R6

29-09-2014

Part List ID SCR608

11



DECAL SYSTEM

SCRUBTEC R6

29-09-2014

Part List ID
SCR608

12

Pos	Part no.	Qty	Description	
1		1	NOTE COMMENT	DECAL, CAUTION
2		2	NOTE COMMENT	SERIAL PLATE DATA TABLE
3		2	NOTE COMMENT	DECAL-SCRUBTEC R6
4		1	NOTE COMMENT	DECAL, CIRCUIT BREAKER
5		1	NOTE COMMENT	DECAL-BATTERY WIRING
6		1	NOTE COMMENT	DECAL-ERROR CODES
8		1	NOTE COMMENT	LABEL NILFI SK-ALTO
K1	56114323	1	DECAL KIT-SCRUBTEC R 6	Includes. pos. 1,3,4,5,6,8

K1 Includes. pos. 1,3,4,5,6,8

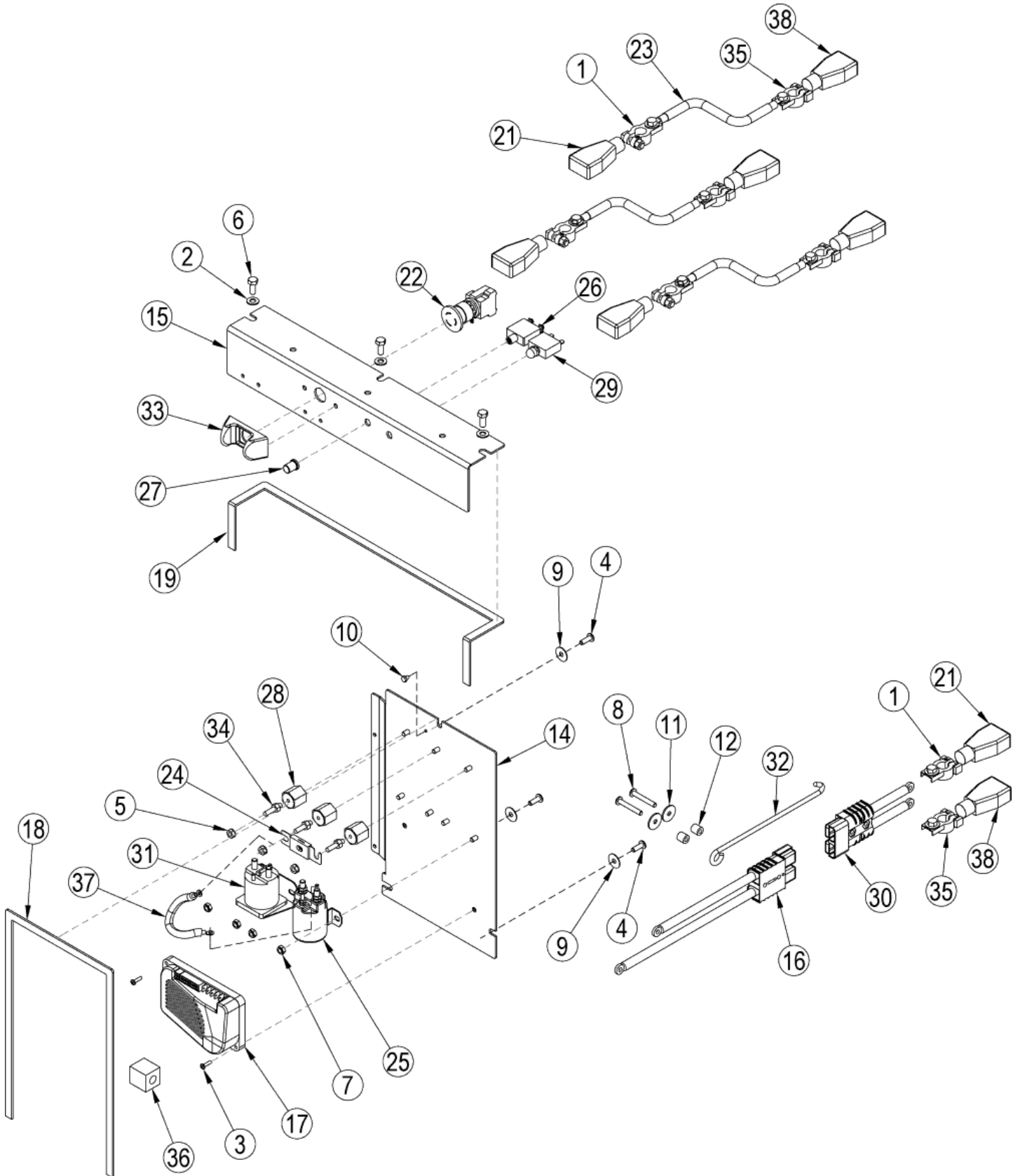
ELECTRICAL SYSTEM

SCRUBTEC R6

29-09-2014

Part List ID
SCR610

13



ELECTRICAL SYSTEM

SCRUBTEC R6

29-09-2014

Part List ID
SCR610

14

Pos	Part no.	Qty	Description
1	L08812063	4	CLAMP BATTERY PLUS
2		3	NOTE COMMENT WSH, FLT SAE 5/16
3		2	NOTE COMMENT SCR-PAN PHIL 8-32 X .62
4		3	NOTE COMMENT SCR-PAN PHIL 1/4-20 X .75
5		3	NOTE COMMENT NUT, HEX W/ SHPRF 1/4-20
6		3	NOTE COMMENT SCR-HEX 5/16-18 X .75
7		4	NOTE COMMENT NUT, HEX NYL LOC-THIN 1/4-20
8		2	NOTE COMMENT SCR-PAN PHIL 1/4-20 X 1.75
9		3	NOTE COMMENT WSH-FLT .281 X .875 X .036
10		1	NOTE COMMENT SCR HEX THD FORM 10-24 X .25
11		2	NOTE COMMENT WSH, FLT SS .260 X 1.000 X .074
12		2	NOTE COMMENT SPACER, PHENOLIC
13	56114406	1	HARNESS-MAIN
14	56114163	1	PANEL-ELECTRICAL
15	56114164	1	PANEL-SWITCH
16	56114201	1	HARNESS-POWER
17	56114234	1	SPEED CONTROLLER
18	56114255	1	GASKET-.25 X .50 X 37.38
19	56114256	1	GASKET-.25 X .50 X 31.50
20	56344205	1	HARNESS-TRACTION
21	2-00-05171	4	BAT TERMINAL COVER RED
22		1	NOTE COMMENT DISCONNECT, EMERGENCY (S4)
23		3	NOTE COMMENT CABLE ,BATTERY
24		1	NOTE COMMENT FUSE, 150 AMP (F1)
25	56412179	1	CONTACTOR 24 VDC
26	56454429	1	CIRCUIT BREAKER 70A
27		1	NOTE COMMENT BOOT, RESET BUTTON
28		3	NOTE COMMENT ELECTRICAL MOUNT
29	56507644	1	CIRCUIT BREAKER 10 AMP
30	56601172	1	CONNECTOR ASM
31	56601183	1	CONTACTOR 24V 100 AMP
32		1	NOTE COMMENT PROP ROD, SEAT
33		1	NOTE COMMENT EMERGENCY BUTTON GUARD
34		3	NOTE COMMENT STUD, 1/4-20
35	L08812064	4	CLAMP BATTERY MINUS
36	40849A	1	SUPPRESSOR EMI SPLIT
37	56601431	1	CABLE ASSEMBLY
38	2-00-05173	4	BAT TERMINAL COVER BLK
K1	56114293	1	ESTOP KIT Includes. pos. 22,33
K2	56114294	1	STANDOFF AND BREAKER KIT Includes. pos. 5,24,28,34
K3	56114295	1	PROP ROD KIT Includes. pos. 8,11,12,32

K1 Includes. pos. 22,33

K2 Includes. pos. 5,24,28,34

K3 Includes. pos. 8,11,12,32

K4 Includes. pos. 26,27,29

ELECTRICAL SYSTEM

SCRUBTEC R6

29-09-2014

Part List ID
SCR610

15

Pos	Part no.	Qty	Description	
K4	56114296	1	CIRCUIT BREAKER KIT	Includes. pos. 26,27,29
K6	56114351	1	HARDWARE KIT-ELEC SYSTEM	Includes. pos. 2,3,4,6,7,9,10
NS	56389265	2	RECTIFIER ASSY.	Not shown

K1 Includes. pos. 22,33

K2 Includes. pos. 5,24,28,34

K3 Includes. pos. 8,11,12,32

K4 Includes. pos. 26,27,29

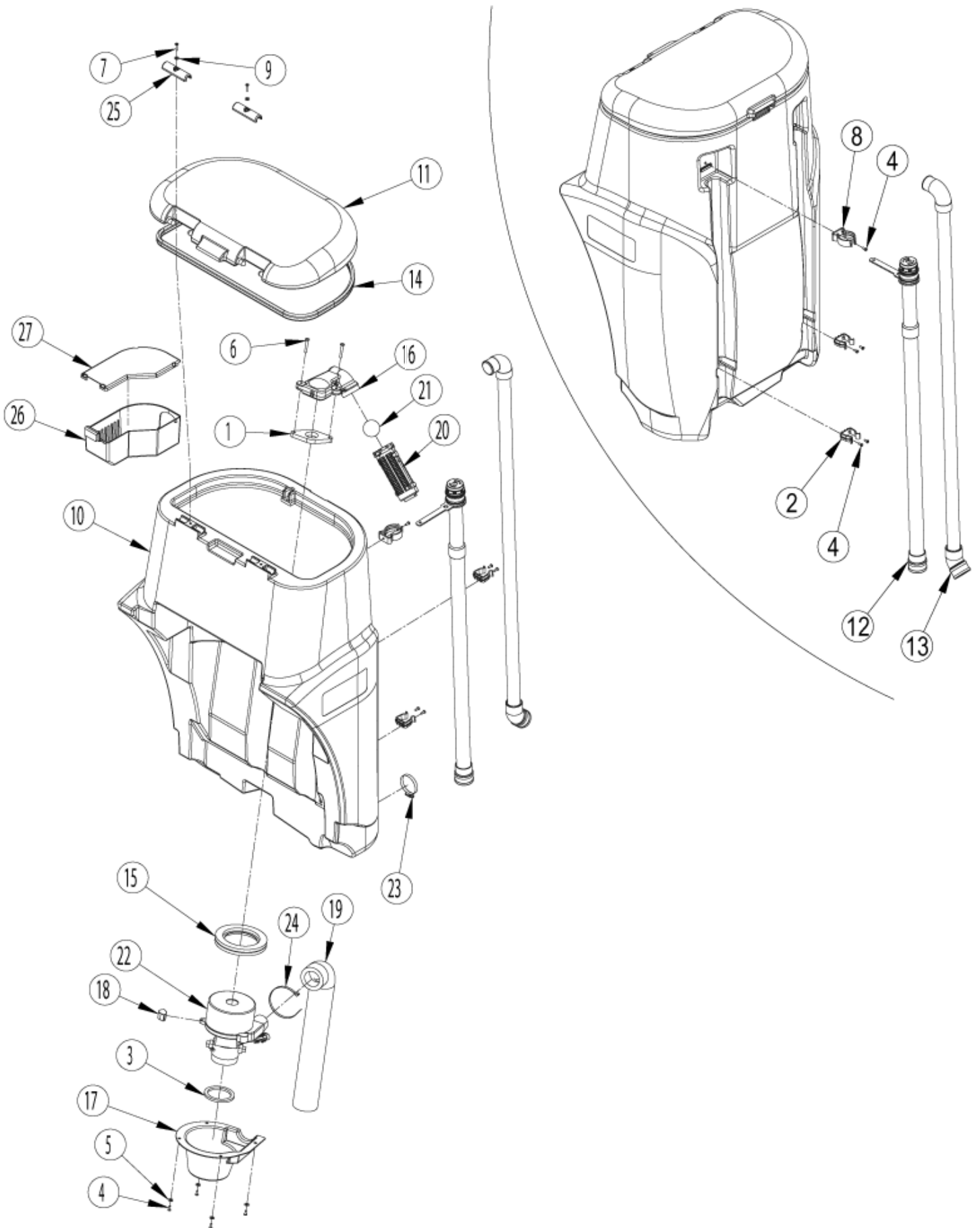
RECOVERY SYSTEM

SCRUBTEC R6

29-09-2014

Part List ID
SCR612

16



RECOVERY SYSTEM

SCRUBTEC R6

29-09-2014

Part List ID
SCR612

17

Pos	Part no.	Qty	Description	
1	56114327	1	GASKET-AIR DUCT	
2		2	NOTE COMMENT	CLAMP, PLASTIC
3	56412154	1	GASKET VACUUM DUCT	
4		9	NOTE COMMENT	SCR-PAN PHIL 10-24 X .50
5		4	NOTE COMMENT	WSH, FLT STD 10
6		2	NOTE COMMENT	SCR, PAN PHIL SS 1/4-20 X 175
7		2	NOTE COMMENT	SCR-PAN PHIL 10-24 X .88
8		1	NOTE COMMENT	CLAMP-HOSE
9		2	NOTE COMMENT	WSH-FLT SAE SS 10
10	56114055	1	TANK-RECOVERY	
11	56114057	1	COVER-RECOVERY TANK	
12	56383322	1	DRAIN HOSE ASSY-1.5-BLK	NOTE 1
13	56114171	1	RECOVERY HOSE ASSY	
14	56114185	1	GASKET-RECOVERY TANK	
15	56114233	1	SEAL ASSY-VAC FAN	
16	56302142	1	FLOAT DUCT	
17	56315102	1	SHROUD ONE VAC MOTOR	
18		3	NOTE COMMENT	MOUNT, VIBRATION
19		1	NOTE COMMENT	FOAM TUBE ASSEMBLY
20		2	NOTE COMMENT	CAGE, FLOAT
21		1	NOTE COMMENT	BALL, FLOAT
22		1	NOTE COMMENT	MOTOR, VAC 24VDC (M5)
23		1	NOTE COMMENT	CLAMP- HOSE SAE 32
24		1	NOTE COMMENT	TIE, CABLE
25	56601128	2	HINGE CLAMP	
26		1	NOTE COMMENT	STRAINER BASKET
27		1	NOTE COMMENT	COVER, DEBRIS
K1	56112303	1	KIT-FLOAT BALL CAGE	Includes. pos. 20,21
K2	56114278	1	VAC MOTOR KIT	Includes. pos. 3,15,18,19,22,24
K3	56114279	1	HOSE CLAMP KIT-DRAIN	Includes. pos. 2,4,8,23
K4	56114350	1	HARDWARE KIT-RECOVERY SYSTEM	Includes. pos. 4,5,6,7,9
K5	56601086	1	KIT DEBRIS TRAY	Includes. pos. 26,27
NS	56114344	1	CAP KIT-DRAIN HOSE	For 56114168
NS	56380529	1	CARBON-BRUSH/SET OF 2	For Motor, Vac 24vdc

K1 Includes. pos. 20,21

K2 Includes. pos. 3,15,18,19,22,24

K3 Includes. pos. 2,4,8,23

K4 Includes. pos. 4,5,6,7,9

K5 Includes. pos. 26,27

SCRUB SYSTEM-71 CYLINDRICAL

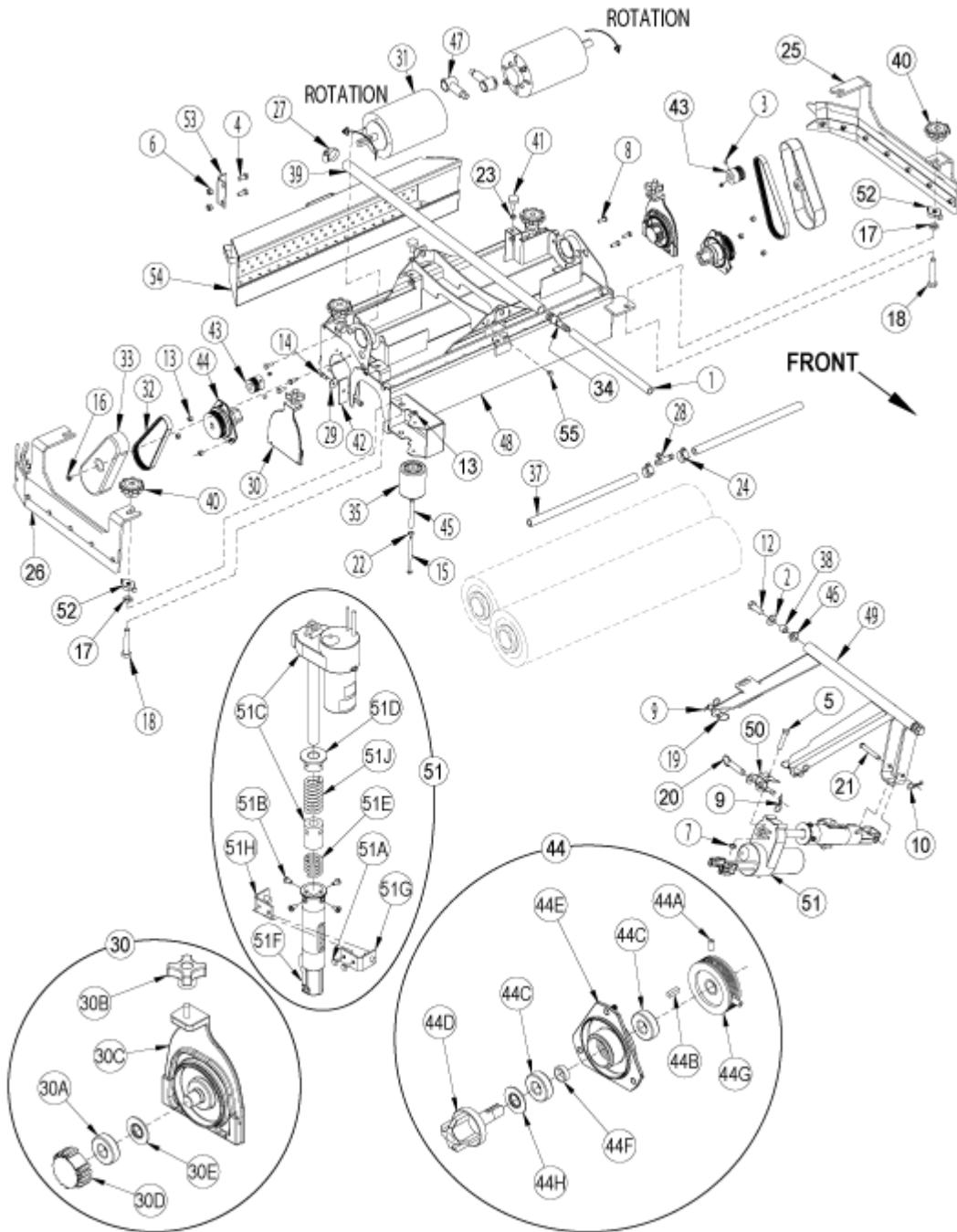
SCRUBTEC R6

29-09-2014

Part List ID

SCR614

18



SCRUB SYSTEM-71 CYLINDRICAL

SCRUBTEC R6

29-09-2014

Part List ID
SCR614

19

Pos	Part no.	Qty	Description	
1		1	NOTE COMMENT	HOSE, SPIRAL
2		2	NOTE COMMENT	WSH-FLT SAE 1/2
3		4	NOTE COMMENT	SCR, SOC SET LOC 5/16-18 X .25
4	56002667	2	SCR HEX 5/16-18 X .75	
5		1	NOTE COMMENT	SCR-HEX 3/8-16 X 1.75
6	56002701	2	NUT HEX NYL LOC 5/16-18	
7		1	NOTE COMMENT	NUT, HEX NYL LOC-THIN 3/8-16
8	56002948	6	SCR HEX LOC 1/4 20 X 0.75	
9		3	NOTE COMMENT	PIN, COTTER HAIR
10		1	NOTE COMMENT	PIN, COTTER HAIR .0915 X .375
12		2	NOTE COMMENT	SCR, HEX LOC M12-1.75 X 35MM
13		9	NOTE COMMENT	NUT, HEX NYL LOC SS M6-1
14	56003431	2	SCR HEX SS M6-1.00X16MM	
15		1	NOTE COMMENT	SCR-HEX SS M6-1 X 95MM
16	56003603	2	SCR PAN PHILTHDFORM 1/4-20X.38	
17		4	NOTE COMMENT	NUT, HEX JAM SS M12-1.75
18		4	NOTE COMMENT	SCR, HEX THD TO HD SS M12-1.75 X 70MM
19		2	NOTE COMMENT	PIN, RING .50 X 1.25
20		1	NOTE COMMENT	PIN, RING .50 X 1.63
21		1	NOTE COMMENT	PIN- CLEVIS SS .375 X 2.50
22		2	NOTE COMMENT	WSH, BOWED .375 X .578 X .060
23	56009086	4	NUT HEX JAM 5/16 18	
24		2	NOTE COMMENT	CLAMP- HOSE SAE 10
25	56114120	1	LT SKIRT ASSY-28C	NOTE 1
26	56114121	1	RT SKIRT ASSY-28C	NOTE 1
27		1	NOTE COMMENT	CLAMP- HOSE SAE 12
28		1	NOTE COMMENT	TEE, BARB
29	56009060	2	WSH FLT SS .260X1.000X.074	
30	56314445	2	IDLER END ASSEMBLY	
31	56315061	2	MOTOR 24VDC .5HP 1800RPM	
32	56315321	2	BELT AUTO TENSION	
33	56315445	2	COVER BELT	
34		1	NOTE COMMENT	BARB, COUPLER 1/2 X 3/4
35		1	NOTE COMMENT	WHEEL
36	56316210	2	HARNESS BRUSH MOTOR	
37		2	NOTE COMMENT	MANIFOLD, PVC 28 ADV
38		2	NOTE COMMENT	BUSHING
39		1	NOTE COMMENT	HOSE, .75 CLEAR PVC
40		4	NOTE COMMENT	KNOB - M12-1.75 THRU

NOTE 1: See Scrub System-Cylindrical Skirt Assemblies.

K10 Includes pos. 5,7,9,10,20,21,50

K13 Includes pos. 2,9,12,19,38,46,49

K17 Includes pos. 3,43

K18 Includes pos. 13,44

K19 Includes pos. 17,18,40,52

K20 Includes pos. 1,24,27,28,34,37,39

SCRUB SYSTEM-71 CYLINDRICAL

SCRUBTEC R6

29-09-2014

Part List ID
SCR614

20

Pos	Part no.	Qty	Description
41	56401783	2	LEVELER TANK CR630G
42	56407391	2	BLADE DECK GUM
43		2	NOTE COMMENT SHEAVE, POLY-V
44		2	NOTE COMMENT DRIVE END ASSY
45		1	NOTE COMMENT BUSHING
46		2	NOTE COMMENT BEARING, FLANGE
47	56493357	2	INSULATOR TERMINAL
48	56601048	1	HOUSING WELDT
49		1	NOTE COMMENT DECK LINKAGE, WELDT
50		1	NOTE COMMENT YOKE, ACTUATOR
51	56114377	1	LIFT ACTUATOR ASSY-CYL DECK
52		4	NOTE COMMENT KNOB
53	56601675	1	BRACKET
54	56601049	1	HOPPER WELDT
55	56009019	1	SCR HEX THD FORM 1/4-20X .38
NS	56412257	1	BRUSH CAP ASSY
NS	56412258	4	BRUSH ASSY
NS	56412259	4	BRUSH SPRING
NS	56412287	1	MOTOR BRUSH/SPRING KIT
30A	56106070	1	BEARING BALL Z22
30B	56407303	1	KNOB
30C	56315447	1	IDLER BEARING PLATE
30D	56407551	1	HUB
30E	56407558	1	WASHER BEARING
44A	56002119	2	SCR SOC SET LOC 1/4 20 X .50
44B	56003237	1	KEY SQ .19 X .62
44C	56106070	2	BEARING BALL Z22
44D	56109527	1	SPINDLE
44E	56381765	1	BEARING PLATE
44F	56407389	1	SPACER
44G	56407442	1	SHEAVE POLY-V
44H	56407558	1	WASHER BEARING
51A	56009019	2	SCR HEX THD FORM 1/4-20X .38
51B	56009062	4	SCR PAN PHIL THD FORM1/4-20X.5
51C	56114362	1	ACTUATOR
51D	56396268	1	SPRING HOUSING GUIDE
51E	56412071	1	COMPRESSION SPRING
51F	56412262	1	HOUSING SPRING
51G	56420019	1	NUT RETAINER WLMT.

NOTE 1: See Scrub System-Cylindrical Skirt Assemblies.

K10 Includes pos. 5,7,9,10,20,21,50

K13 Includes pos. 2,9,12,19,38,46,49

K17 Includes pos. 3,43

K18 Includes pos. 13,44

K19 Includes pos. 17,18,40,52

K20 Includes pos. 1,24,27,28,34,37,39

SCRUB SYSTEM-71 CYLINDRICAL

SCRUBTEC R6

29-09-2014

Part List ID
SCR614

21

Pos	Part no.	Qty	Description	
51H	56420020	1	NUT RETAINER WLMT.	
51J	56601470	1	COMPRESSION SPRING	
K10	56114290	1	HARDWARE KIT-ACTUATOR	Includes pos. 5,7,9,10,20,21,50
K13	56114307	1	LIFT KIT-DECK	Includes pos. 2,9,12,19,38,46,49
K17	56114312	2	SHEAVE KIT-BRUSH DRIVE	Includes pos. 3,43
K18	56114313	2	DRIVE END ASSEMBLY KIT	Includes pos. 13,44
K19	56114314	2	MOUNTING POST KIT-SIDE SKIRT	Includes pos. 17,18,40,52
K20	56114317	1	HOSE KIT-SOLUTION CYL	Includes pos. 1,24,27,28,34,37,39
K26	56344180	1	HARDWARE KIT-DECK LINKAGE	Includes pos. 2,9,12,19,38,46
K27	56344183	1	BUMPER WHEEL KIT	Includes pos. 11,13,15,22,35,45

NOTE 1: See Scrub System-Cylindrical Skirt Assemblies.

K10 Includes pos. 5,7,9,10,20,21,50

K13 Includes pos. 2,9,12,19,38,46,49

K17 Includes pos. 3,43

K18 Includes pos. 13,44

K19 Includes pos. 17,18,40,52

K20 Includes pos. 1,24,27,28,34,37,39

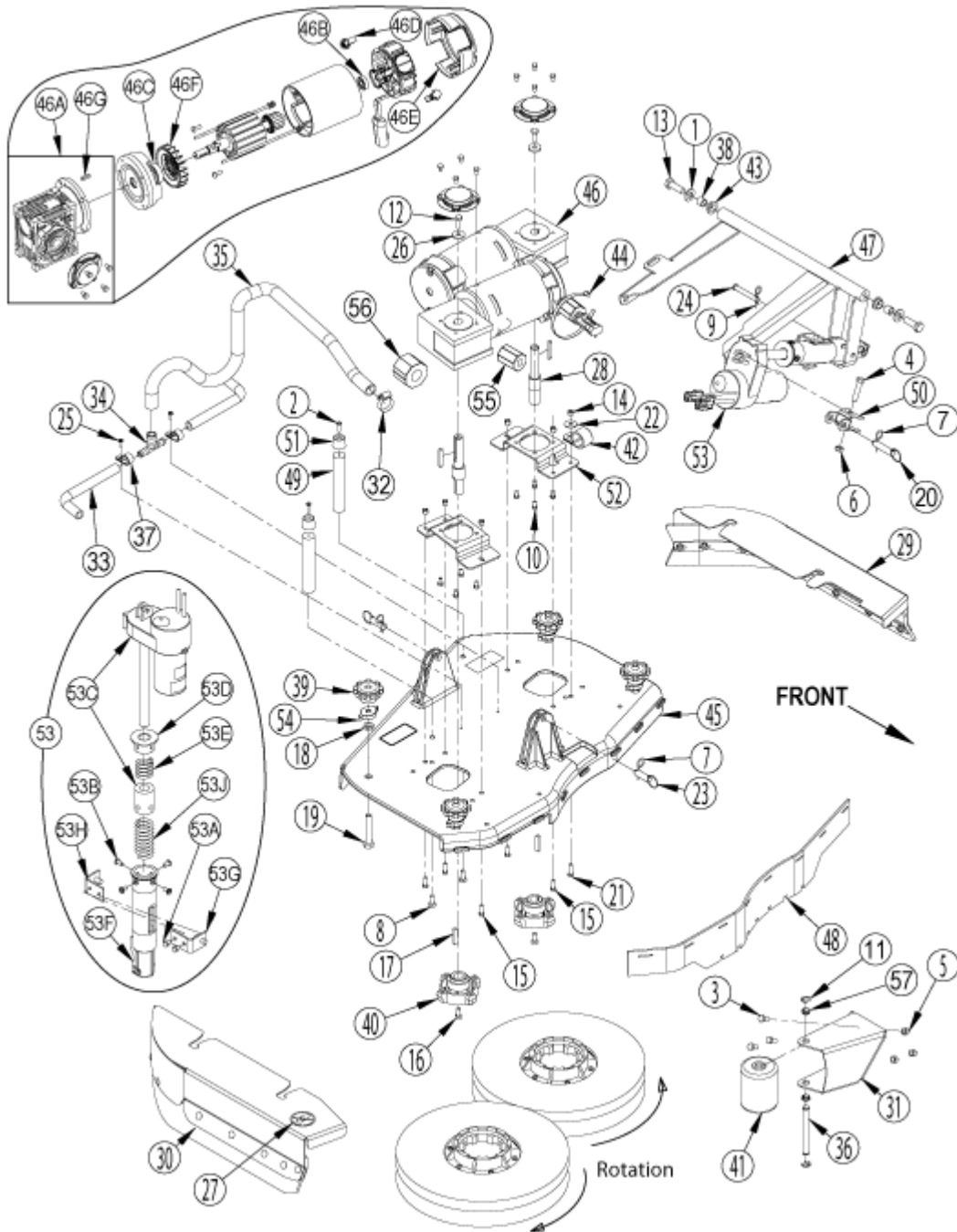
SCRUB SYSTEM-71 DISK

SCRUBTEC R6

29-09-2014

Part List ID SCR616

22



SCRUB SYSTEM-71 DISK

SCRUBTEC R6

29-09-2014

Part List ID
SCR616

23

Pos	Part no.	Qty	Description	
1		4	NOTE COMMENT	WSH-FLT SAE 1/2
2		2	NOTE COMMENT	SCR-PAN PHIL 10-24 X .75
3		3	NOTE COMMENT	SCR-HEX 5/16-18 X .75
4		1	NOTE COMMENT	SCR-HEX 3/8-16 X 1.75
5		3	NOTE COMMENT	NUT, HEX NYL LOC 5/16-18
6		1	NOTE COMMENT	NUT, HEX NYL LOC-THIN
7		3	NOTE COMMENT	PIN, COTTER HAIR
8		2	NOTE COMMENT	SCR-HEX SS
9		1	NOTE COMMENT	PIN, COTTER HAIR .0915 X .375
10		8	NOTE COMMENT	SCR, HEX SS M6-1 X 12MM
11		2	NOTE COMMENT	RING, RET EXT TYPE E 0.50 DIA
12		2	NOTE COMMENT	SCR-HEX LOC SS 5/16-18 X .88
13		2	NOTE COMMENT	SCR, HEX LOC M12-1.75 X 35MM
14		6	NOTE COMMENT	NUT, HEX NYL LOC SS M6-1
15		5	NOTE COMMENT	SCR, HEX THD TO HD SS M6-1 X 20MM
16		2	NOTE COMMENT	SCREW, GIMBAL MOUNT
17		2	NOTE COMMENT	KEY, SQUARE .25 X 1.44
18	56003657	4	NUT HEX JAM M12 1.75	
19	56003658	4	SCR THD TO HD SS M12-1.75X70MM	
20		1	NOTE COMMENT	PIN, RING .50 X 1.63
21		1	NOTE COMMENT	SCR, HEX THD TO HD SS M6-1 X 25MM
22		1	NOTE COMMENT	WSH-FLT SS .33 X 1.00 X.060
23		2	NOTE COMMENT	PIN, RING .500 X 1.18
24		1	NOTE COMMENT	PIN- CLEVIS SS .375 X 2.50
25		2	NOTE COMMENT	SCR, PAN PHIL THD FORM 10-24 X .50
26		2	NOTE COMMENT	WSH, FLT HARDEN .344 X 1.000 X .120/.135
27	56016163	1	DECAL NO STEP	
28		2	NOTE COMMENT	SHAFT-HUB MOUNT
29	56114110	1	LEFT SKIRT ASSY-28D	NOTE 1
30	56114111	1	RIGHT SKIRT ASSY-28-34D	NOTE 1
31		1	NOTE COMMENT	ROLLER BRKT WELDT-28
32		1	NOTE COMMENT	CLAMP- HOSE SAE 12
33		2	NOTE COMMENT	HOSE, SPIRAL .500
34		1	NOTE COMMENT	TEE, BARB 3/4 X 1/2 X 1/2
35		1	NOTE COMMENT	HOSE
36		1	NOTE COMMENT	PIN
37		2	NOTE COMMENT	CLAMP-P
38		2	NOTE COMMENT	BUSHING
39	56380149	4	KNOB - M12-1.75 THRU	

NOTE 1: See Scrub System-71-86 Disk Skirt Assemblies.

K1 Includes pos. 16,40

K2 Includes pos. 17,28

K4 Includes pos. 11,31,36,41

K10 Includes pos. 4,6,7,9,20,24,50

K11 Includes pos. 10,14,15,52

K12 Includes pos. 25,32,33,34,35,37

K13 Includes pos. 1,7,13,23,38,43,47

SCRUB SYSTEM-71 DISK

SCRUBTEC R6

29-09-2014

Part List ID
SCR616

24

Pos	Part no.	Qty	Description	
40		2	NOTE COMMENT	GIMBAL-COLLAR ASSEMBLY
41		1	NOTE COMMENT	WHEEL, ROLLER
42		1	NOTE COMMENT	CLAMP, 1.25 HOSE SUPPORT
43		2	NOTE COMMENT	BEARING, FLANGE
44		1	NOTE COMMENT	TIE, CABLE
45	56601113	1	SCRUB DECK DISC CAST 28-34	
46		2	NOTE COMMENT	MOTOR GEARBOX ASSY (M7) (M9)
47		1	NOTE COMMENT	DECK LINKAGE, WELDT
48	56114394	1	BLADE FRONT 28 GUM	
49	56601289	2	ROD UP STOP	
50		1	NOTE COMMENT	YOKE, ACTUATOR
51	56601388	2	UP STOP MOUNT	
52		2	NOTE COMMENT	BRACKET, MOTOR
53	56114369	1	LIFT ACTUATOR ASSEMBLY	
54	56601578	4	KNOB	
55		2	NOTE COMMENT	FERRITE BEAD
56	56601687	1	FERRITE BEAD	
57	666666	2	NOTE COMMENT	BEARING, FLANGE
K1	56114281	2	GIMBLE KIT	Includes pos. 16,40
K2	56114282	2	SHAFT KIT-HUB MOUNT	Includes pos. 17,28
K4	56114284	1	ROLLER KIT-L/R	Includes pos. 11,31,36,41
46A	56601533	1	MOTOVARIO GEARBOX	
46B	56601537	1	BALL BEARING OUTPUT SIDE	
46C	56314580	1	BALL BEARING OUTPUT SIDE	
46D	56601534	2	CARBON BRUSH	
46E	56601508	1	PLASTIC COVER	
46F	56601536	1	MOTOR FAN	
46G	56601535	1	KEY	
53A	56009019	2	SCR HEX THD FORM 1/4-20X .38	
53B	56009062	4	SCR PAN PHIL THD FORM1/4-20X.5	
53C	56114362	1	ACTUATOR	
53D	56396268	1	SPRING HOUSING GUIDE	
53E	56412071	1	COMPRESSION SPRING	
53F	56412262	1	HOUSING SPRING	
53G	56420019	1	NUT RETAINER WLMT.	
53H	56420020	1	NUT RETAINER WLMT.	
53J	56601470	1	COMPRESSION SPRING	
K10	56114290	1	HARDWARE KIT-ACTUATOR	Includes pos. 4,6,7,9,20,24,50
K11	56114291	2	HARDWARE KIT-MOTOR BRKT	Includes pos. 10,14,15,52

NOTE 1: See Scrub System-71-86 Disk Skirt Assemblies.

K1 Includes pos. 16,40

K2 Includes pos. 17,28

K4 Includes pos. 11,31,36,41

K10 Includes pos. 4,6,7,9,20,24,50

K11 Includes pos. 10,14,15,52

K12 Includes pos. 25,32,33,34,35,37

K13 Includes pos. 1,7,13,23,38,43,47

SCRUB SYSTEM-71 DISK

SCRUBTEC R6

29-09-2014

Part List ID
SCR616

25

Pos	Part no.	Qty	Description	
K12	56114306	1	MANIFOLD KIT-SOLUTION 28D	Includes pos. 25,32,33,34,35,37
K13	56114307	1	LIFT KIT-DECK	Includes pos. 1,7,13,23,38,43,47
K14	56114309	1	ROLLER MOUNT KIT-RT 28D	Includes pos. 3,5,31,57
K22	56114324	2	MOTOR KIT-BRUSH EU	Includes pos. 12,26,44,46,55
K24	56114352	1	HARDWARE KIT-28D SCRUB SYSTEM	Includes pos. 2,8,14,21,22,42
K26	56344180	1	HARDWARE KIT-DECK LINKAGE	Includes pos. 1,7,13,23,38,43

NOTE 1: See Scrub System-71-86 Disk Skirt Assemblies.

K1 Includes pos. 16,40

K2 Includes pos. 17,28

K4 Includes pos. 11,31,36,41

K10 Includes pos. 4,6,7,9,20,24,50

K11 Includes pos. 10,14,15,52

K12 Includes pos. 25,32,33,34,35,37

K13 Includes pos. 1,7,13,23,38,43,47

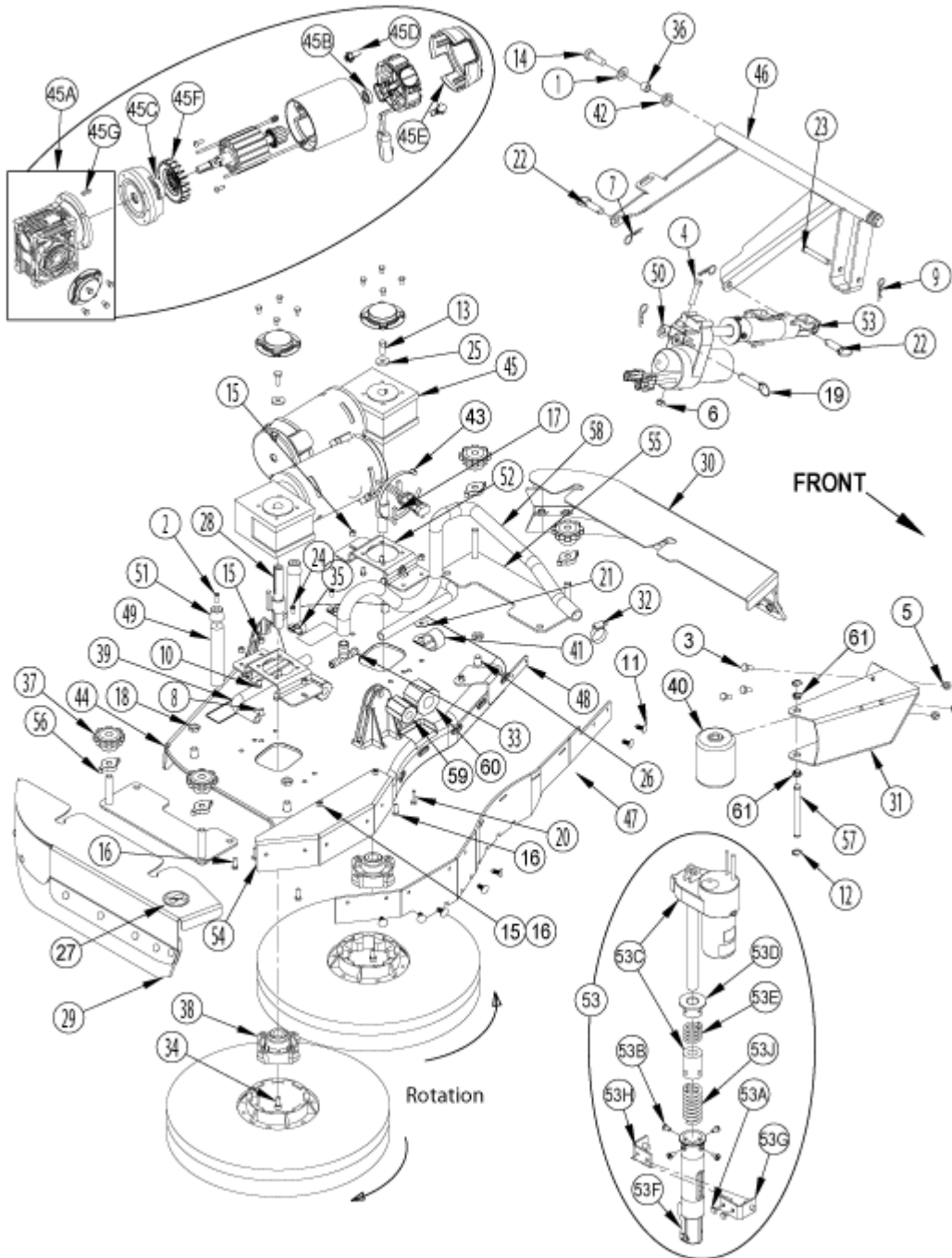
SCRUB SYSTEM-86 DISK

SCRUBTEC R6

29-09-2014

Part List ID SCR618

26



SCRUB SYSTEM-86 DISK

SCRUBTEC R6

29-09-2014

Part List ID
SCR618

27

Pos	Part no.	Qty	Description	
1		2	NOTE COMMENT	WSH-FLT SAE 1/2
2		2	NOTE COMMENT	SCR-PAN PHIL 10-24 X .75
3		3	NOTE COMMENT	SCR-HEX 5/16-18 X .75
4		1	NOTE COMMENT	SCR-HEX 3/8-16 X 1.75
5		3	NOTE COMMENT	NUT, HEX NYL LOC 5/16-18
6		1	NOTE COMMENT	NUT, HEX NYL LOC-THIN
7		3	NOTE COMMENT	PIN, COTTER HAIR
8		2	NOTE COMMENT	SCR-HEX SS
9		1	NOTE COMMENT	PIN, COTTER HAIR .0915 X .375
10		8	NOTE COMMENT	SCR, HEX SS M6-1 X 12MM
11		7	NOTE COMMENT	RIVET, NYLON TREE PUSH-IN (.25)
12		2	NOTE COMMENT	RING, RET EXT TYPE E 0.50 DIA
13		2	NOTE COMMENT	SCR-HEX LOC SS 5/16-18 X .88
14		2	NOTE COMMENT	SCR, HEX LOC M12-1.75 X 35MM
15		9	NOTE COMMENT	NUT, HEX NYL LOC SS M6-1
16		8	NOTE COMMENT	SCR, HEX THD TO HD SS M6-1 X 20MM
17		2	NOTE COMMENT	KEY, SQUARE .25 X 1.44
18		4	NOTE COMMENT	NUT, HEX JAM SS M12-1.75
19		1	NOTE COMMENT	PIN, RING .50 X 1.63
20		1	NOTE COMMENT	SCR, HEX THD TO HD SS M6-1 X 25MM
21		1	NOTE COMMENT	WSH-FLT SS .33 X 1.00 X.060
22		2	NOTE COMMENT	PIN, RING .500 X 1.18
23		1	NOTE COMMENT	PIN- CLEVIS SS .375 X 2.50
24		2	NOTE COMMENT	SCR, PAN PHIL THD FORM 10-24 X .50
25		2	NOTE COMMENT	WSH, FLT HARDEN .344 X 1.000 X .120/.135
26		4	NOTE COMMENT	SCR, HEX THD TO HD M12-1.75 X 25MM
27	56016163	1	DECAL NO STEP	
28		2	NOTE COMMENT	SHAFT-HUB MOUNT
29	56114111	1	RIGHT SKIRT ASSY-28-34D	See Note 1
30	56114116	1	LEFT SKIRT ASSY-34D	See Note 1
31		1	NOTE COMMENT	ROLLER BRKT WELDT-34
32		1	NOTE COMMENT	CLAMP- HOSE SAE 12
33		1	NOTE COMMENT	TEE, BARB 3/4 X 1/2 X 1/2
34		2	NOTE COMMENT	SCREW, GIMBAL MOUNT
35		2	NOTE COMMENT	CLAMP-P
36		2	NOTE COMMENT	BUSHING
37	56380149	4	KNOB - M12-1.75 THRU	
38		2	NOTE COMMENT	GIMBAL-COLLAR ASSEMBLY

NOTE 1: See Scrub System-71-86 Disk Skirt Assemblies..

K1 Includes pos. 34,38

K2 Includes pos. 17,28

K4 Includes pos. 12,40

K10 Includes pos. 4,6,7,9,19,23,50

K11 Includes pos. 10,15,16,52

K13 Includes pos. 1,7,14,22,36,42,46

K15 Includes pos. 11,47

K16 Includes pos. 24,32,33,35,39,58

SCRUB SYSTEM-86 DISK

SCRUBTEC R6

29-09-2014

Part List ID
SCR618

28

Pos	Part no.	Qty	Description	
39		2	NOTE COMMENT	HOSE, SPIRAL .500
40		1	NOTE COMMENT	WHEEL, ROLLER
41		1	NOTE COMMENT	CLAMP, 1.25 HOSE SUPPORT
42		2	NOTE COMMENT	BEARING, FLANGE
43		1	NOTE COMMENT	TIE, CABLE
44	56601113	1	SCRUB DECK DISC CAST 28-34	
45		2	NOTE COMMENT	MOTOR GEARBOX ASSY (M7) (M9)
46		1	NOTE COMMENT	DECK LINKAGE, WELDT
47		1	NOTE COMMENT	Blade Front 34 Gum
48	56601278	1	SKIRT BRACKET FRONT 34	
49	56601289	2	ROD UP STOP	
50		1	NOTE COMMENT	YOKE, ACTUATOR
51	56601388	2	UP STOP MOUNT	
52		2	NOTE COMMENT	BRACKET, MOTOR
53	56114369	1	LIFT ACTUATOR ASSEMBLY	
54	56601452	1	BRUSH COVER	
55	56601502	2	SIDE SKIRT WELDMENT	
56	56601578	4	KNOB	
57		1	NOTE COMMENT	PIN
58		1	NOTE COMMENT	HOSE
59		2	NOTE COMMENT	FERRITE BEAD
60	56601687	1	FERRITE BEAD	
61	666666	2	NOTE COMMENT	BEARING, FLANGE
K1	56114281	2	GIMBLE KIT	Includes pos. 34,38
k2	56114282	2	SHAFT KIT-HUB MOUNT	Includes pos. 17,28
K4	56114284	1	ROLLER KIT-L/R	Includes pos. 12,40
45A	56601533	1	MOTOVARIO GEARBOX	
45B	56601537	1	BALL BEARING OUTPUT SIDE	
45C	56314580	1	BALL BEARING OUTPUT SIDE	
45D	56601534	2	CARBON BRUSH	
45E	56601508	1	PLASTIC COVER	
45F	56601536	1	MOTOR FAN	
45G	56601535	1	KEY	
53A	56009019	2	SCR HEX THD FORM 1/4-20X .38	
53B	56009062	4	SCR PAN PHIL THD FORM1/4-20X.5	
53C	56114362	1	ACTUATOR	
53D	56396268	1	SPRING HOUSING GUIDE	
53E	56412071	1	COMPRESSION SPRING	

NOTE 1: See Scrub System-71-86 Disk Skirt Assemblies..

K1 Includes pos. 34,38

K2 Includes pos. 17,28

K4 Includes pos. 12,40

K10 Includes pos. 4,6,7,9,19,23,50

K11 Includes pos. 10,15,16,52

K13 Includes pos. 1,7,14,22,36,42,46

K15 Includes pos. 11,47

K16 Includes pos. 24,32,33,35,39,58

SCRUB SYSTEM-86 DISK

SCRUBTEC R6

29-09-2014

Part List ID
SCR618

29

Pos	Part no.	Qty	Description	
53F	56412262	1	HOUSING SPRING	
53G	56420019	1	NUT RETAINER WLMT.	
53H	56420020	1	NUT RETAINER WLMT.	
53J	56601470	1	COMPRESSION SPRING	
K10	56114290	1	HARDWARE KIT-ACTUATOR	Includes pos. 4,6,7,9,19,23,50
K11	56114291	2	HARDWARE KIT-MOTOR BRKT	Includes pos. 10,15,16,52
K13	56114307	1	LIFT KIT-DECK	Includes pos. 1,4,14,22,36,42,46
K15	56114396	1	BLADE KIT-FRONT 34 GUM W/ FAST	Includes pos. 11,47
K16	56114311	1	MANIFOLD KIT-SOLUTION 34	Includes pos. 24,32,33,35,39,58
K22	56114324	2	MOTOR KIT-BRUSH EU	Includes pos. 13,25,43,45,59
K23	56114338	1	ROLLER MOUNT KIT-RT 34D	Includes pos. 3,5,31
K25	56114353	1	HARDWARE KIT-34D SCRUB SYSTEM	Includes pos. 2,8,15,16,18,20,21,26,41
K26	56344180	1	HARDWARE KIT-DECK LINKAGE	Includes pos. 1,7,14,22,36,42

NOTE 1: See Scrub System-71-86 Disk Skirt Assemblies..

K1 Includes pos. 34,38

K2 Includes pos. 17,28

K4 Includes pos. 12,40

K10 Includes pos. 4,6,7,9,19,23,50

K11 Includes pos. 10,15,16,52

K13 Includes pos. 1,7,14,22,36,42,46

K15 Includes pos. 11,47

K16 Includes pos. 24,32,33,35,39,58

SCRUB SYSTEM-100 DISK

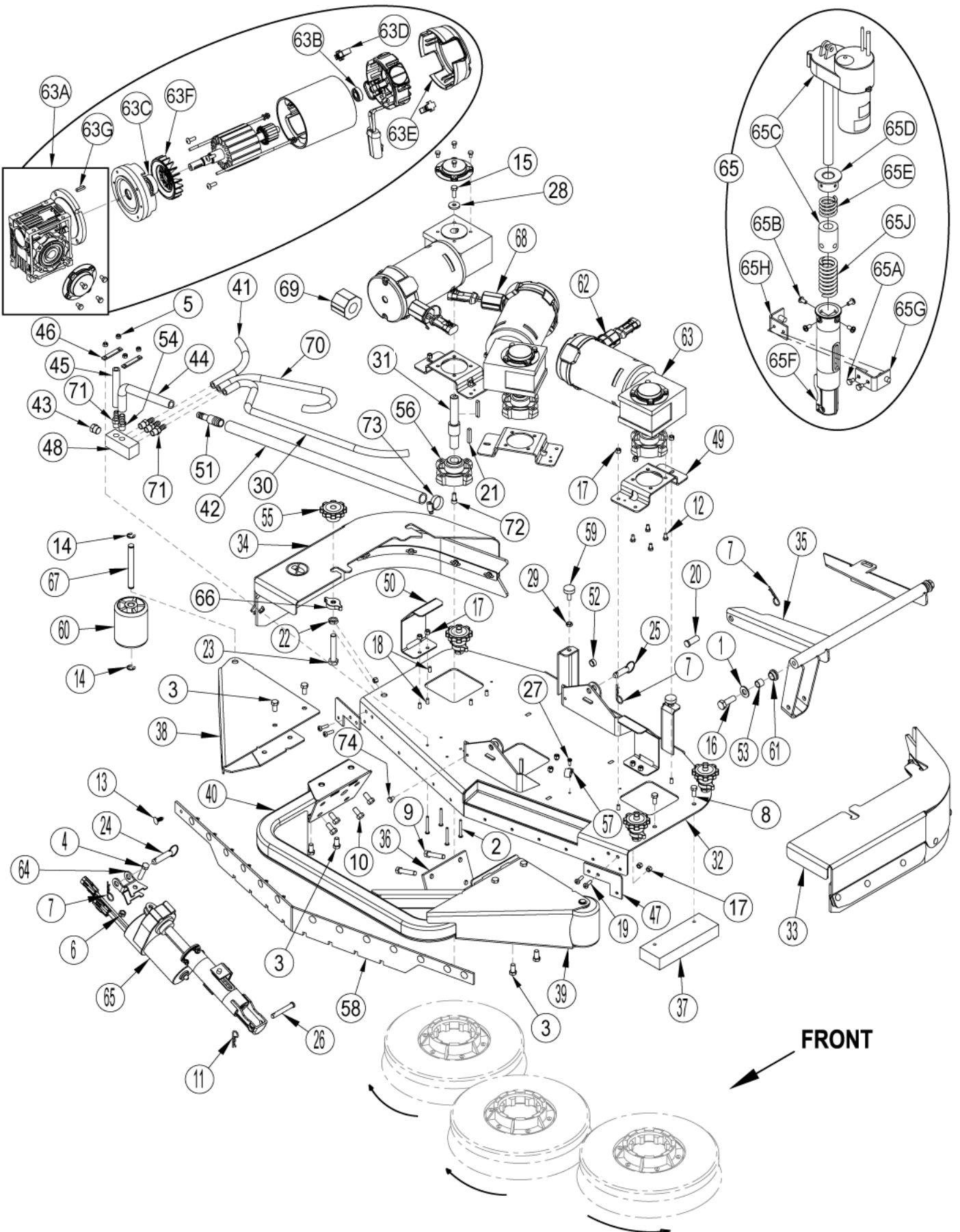
SCRUBTEC R6

29-09-2014

Part List ID

SCR620

30



SCRUB SYSTEM-100 DISK

SCRUBTEC R6

29-09-2014

Part List ID
SCR620

31

Pos	Part no.	Qty	Description	
1		2	NOTE COMMENT	WSH-FLT SAE 1/2
2		4	NOTE COMMENT	SCR-PAN PHIL 10-24 X 1.75
3		8	NOTE COMMENT	Screw, 3/8-16 X .75 Hex
4		1	NOTE COMMENT	SCR-HEX 3/8-16 X 1.75
5		4	NOTE COMMENT	NUT, HEX NYL LOC 10-24
6		1	NOTE COMMENT	NUT, HEX NYL LOC-THIN 3/8-16
7		3	NOTE COMMENT	PIN, COTTER HAIR
8	56003012	2	SCR HEX SS 5/16-18 X .75	
9	56003031	4	SCR HEX LOC 3/8 16 X 2.00	
10	56003079	4	SCR HEX LOC 3/8-16 X .75	
11		1	NOTE COMMENT	PIN, COTTER HAIR .0915 X .375
12		12	NOTE COMMENT	SCR, HEX SS M6-1 X 12MM
13		14	NOTE COMMENT	RIVET, NYLON TREE PUSH-IN (.25)
14		4	NOTE COMMENT	RING, RET EXT TYPE E 0.50 DIA
15		3	NOTE COMMENT	SCR-HEX LOC SS 5/16-18 X .88
16		2	NOTE COMMENT	SCR, HEX LOC M12-1.75 X 35MM
17		17	NOTE COMMENT	NUT, HEX NYL LOC SS M6-1
18		13	NOTE COMMENT	SCR, HEX SS M6-1 X 16MM
19	56003443	4	PHIL PAN M6-1.00X20MM	
20		1	NOTE COMMENT	PIN-CLEVIS .50 X 1.25
21		3	NOTE COMMENT	KEY, SQUARE .25 X 1.44
22	56003657	4	NUT HEX JAM M12 1.75	
23	56003658	4	SCR THD TO HD SS M12-1.75X70MM	
24		1	NOTE COMMENT	PIN, RING .50 X 1.63
25		1	NOTE COMMENT	PIN, RING .500 X 1.18
26		1	NOTE COMMENT	PIN- CLEVIS SS .375 X 2.50
27	56009029	1	SCR PANPHIL THD FORM 10-24X.50	
28		3	NOTE COMMENT	WSH, FLT HARDEN .344 X 1.000 X .120/.135
29	56009086	4	NUT HEX JAM 5/16 18	
30	56053884	1	TUBE VINYL E00603	
31		3	NOTE COMMENT	SHAFT-HUB MOUNT
32	56114076	1	DECK WELDT	
33	56114104	1	LEFT SKIRT ASSY-40D	NOTE 1
34	56114105	1	RIGHT SKIRT ASSY-40D	NOTE 1
35		1	NOTE COMMENT	DECK LIFT WELDT
36	56114153	1	PLATE	
37	56114160	1	WEIGHT-DECK	
38		1	NOTE COMMENT	ROLLER BRACKET-RIGHT

NOTE 1: See Scrub System-100 Disk Skirt Assemblies

K1 Includes pos. 5,6,72

K2 Includes pos. 21,31

K3 Includes pos. 2,5,43,44,45,46,54,71

K4 Includes pos. 14,67

K5 Includes pos. 3,38

K6 Includes pos. 3,39

K7 Includes pos. 13,58

K8 Includes pos. 1,7,20,25,35,52,53,61

SCRUB SYSTEM-100 DISK

SCRUBTEC R6

29-09-2014

Part List ID
SCR620

32

Pos	Part no.	Qty	Description	
39		1	NOTE COMMENT	ROLLER BRACKET-LEFT
40	56114337	1	SUPPORT WELDMENT	
41	56249682	1	TUBE E00603	
42	56261265	1	TUBE E00521	
43		1	NOTE COMMENT	PLUG, HEX PIPE
44		1	NOTE COMMENT	HOSE, SPIRAL .500
45		1	NOTE COMMENT	HOSE, SPIRAL .375
46		2	NOTE COMMENT	PLATE
47	56314261	2	SKIRT BRACKET FORWARD	
48		1	NOTE COMMENT	MANIFOLD, SOLUTION
49		3	NOTE COMMENT	BRACKET, MOTOR
50	56316684	2	BRACKET-MOTOR GUARD	
51	56315625	1	BARB COUPLER 3/4 X 1/2	
52		2	NOTE COMMENT	BUSHING .50 X .62 X .27
53		2	NOTE COMMENT	BUSHING
54		1	NOTE COMMENT	BARB, ADAPTER 1/2 X 1/4NPT
55	56380149	4	KNOB - M12-1.75 THRU	
56		3	NOTE COMMENT	GIMBAL-COLLAR ASSEMBLY
57	56385564	1	CLAMP CABLE .625 E00129	
58		1	NOTE COMMENT	Blade Front 40 Gum
59	56401783	2	LEVELER TANK CR630G	
60		2	NOTE COMMENT	WHEEL, ROLLER
61		2	NOTE COMMENT	BEARING, FLANGE
62	56478246	3	CABLE TIE E00549 RE438BA	
63		3	NOTE COMMENT	MOTOR GEARBOX ASSY (M7) (M8) (M9)
64		1	NOTE COMMENT	YOKE, ACTUATOR
65	56114369	1	LIFT ACTUATOR ASSEMBLY	
66	56601578	4	KNOB	
67		2	NOTE COMMENT	PIN
68	56601686	3	FERRITE BEAD	
69	56601687	1	FERRITE BEAD	
70	56635530	1	TUBE VINYL 16.00L E00603	
71		4	NOTE COMMENT	BARB, ADAPTER 3/8 X 1/4NPT
72		3	NOTE COMMENT	SCREW, GIMBAL MOUNT
73	56244969	1	CLAMP HOSE SAE 12 E00047	
74	56009019	1	SCR HEX THD FORM 1/4-20X .38	
74	56114379	1	BRUSH INSTALLATION TOOL	Not shown
K1	56114281	3	GIMBLE KIT	Includes pos. 5,6,72

NOTE 1: See Scrub System-100 Disk Skirt Assemblies

K1 Includes pos. 5,6,72

K2 Includes pos. 21,31

K3 Includes pos. 2,5,43,44,45,46,54,71

K4 Includes pos. 14,67

K5 Includes pos. 3,38

K6 Includes pos. 3,39

K7 Includes pos. 13,58

K8 Includes pos. 1,7,20,25,35,52,53,61

SCRUB SYSTEM-100 DISK

SCRUBTEC R6

29-09-2014

Part List ID
SCR620

33

Pos	Part no.	Qty	Description	
K2	56114282	3	SHAFT KIT-HUB MOUNT	Includes pos. 21,31
K3	56114283	1	MANIFOLD KIT-SOLUTION 40	Includes pos. 2,5,43,44,45,46,54,71
K4	56114284	2	ROLLER KIT-L/R	Includes pos. 14,67
K5	56114285	1	ROLLER MOUNT KIT-RT 40	Includes pos. 3,38
K6	56114286	1	ROLLER MOUNT KIT-LT 40	Includes pos. 3,39
K7	56114287	1	BLADE KIT-FRONT 40	Includes pos. 13,58
K8	56114288	1	LIFT KIT-DECK 40	Includes pos. 1,7,20,25,35,52,53,61
K9	56114289	3	MOTOR KIT-BRUSH	Includes pos. 15,28,63
63A	56601533	1	MOTOVARIO GEARBOX	
63B	56601537	1	BALL BEARING OUTPUT SIDE	
63C	56314580	1	BALL BEARING OUTPUT SIDE	
63D	56601534	2	CARBON BRUSH	
63E	56601508	1	PLASTIC COVER	
63F	56601536	1	MOTOR FAN	
63G	56601535	1	KEY	
65A	56009019	2	SCR HEX THD FORM 1/4-20X .38	
65B	56009062	4	SCR PAN PHIL THD FORM1/4-20X.5	
65C	56114362	1	ACTUATOR	
65D	56396268	1	SPRING HOUSING GUIDE	
65E	56412071	1	COMPRESSION SPRING	
65F	56412262	1	HOUSING SPRING	
65G	56420019	1	NUT RETAINER WLMT.	
65H	56420020	1	NUT RETAINER WLMT.	
65J	56601470	1	COMPRESSION SPRING	
K10	56114290	1	HARDWARE KIT-ACTUATOR	Includes pos. 4,6,7,11,24,26,64
K11	56114291	3	HARDWARE KIT-MOTOR BRKT	Includes pos. 12,17,18,49
K26	56344180	1	HARDWARE KIT-DECK LINKAGE	Includes pos. 1,7,16,25,53,61

NOTE 1: See Scrub System-100 Disk Skirt Assemblies

- K1 Includes pos. 5,6,72
- K2 Includes pos. 21,31
- K3 Includes pos. 2,5,43,44,45,46,54,71
- K4 Includes pos. 14,67
- K5 Includes pos. 3,38
- K6 Includes pos. 3,39
- K7 Includes pos. 13,58
- K8 Includes pos. 1,7,20,25,35,52,53,61

SCRUB SYSTEM-CYLINDRICAL SKIRT ASSEMBLY

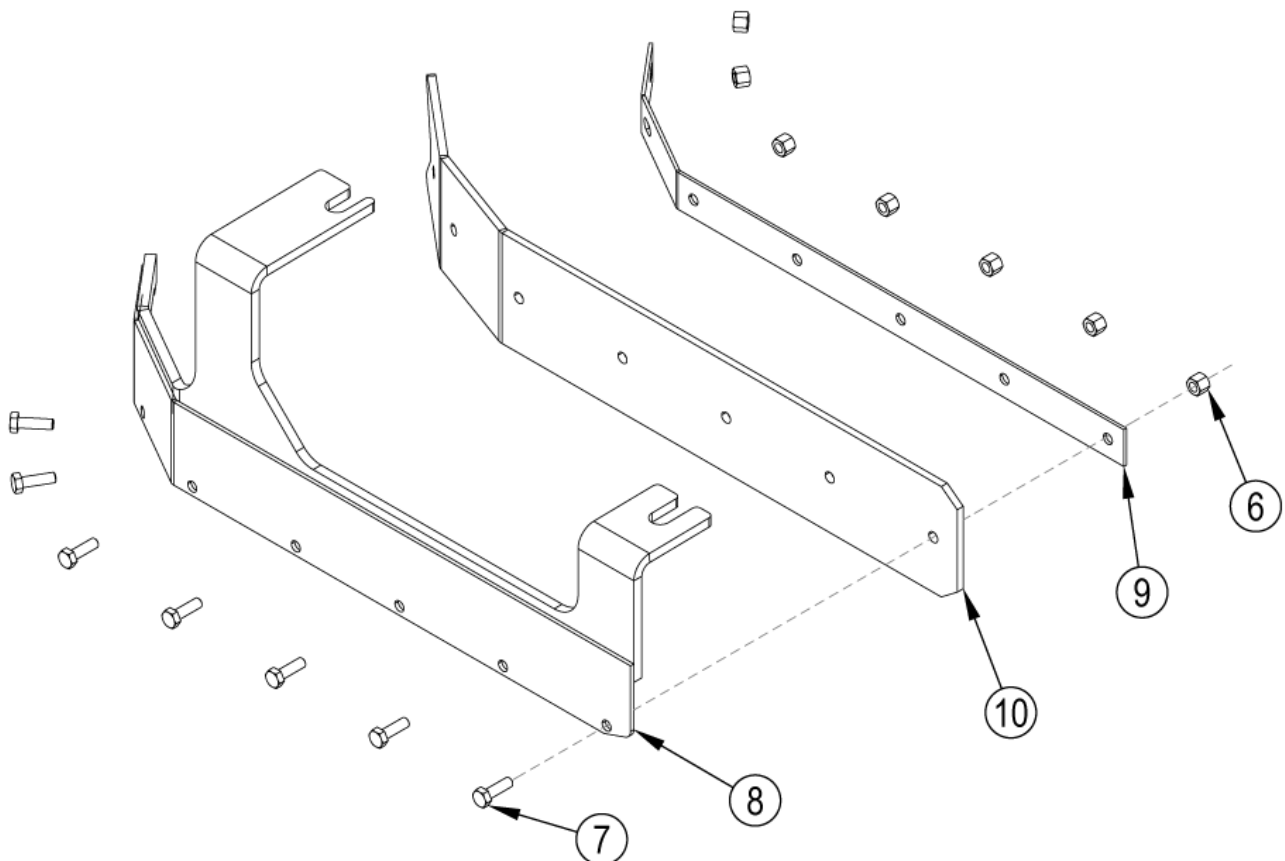
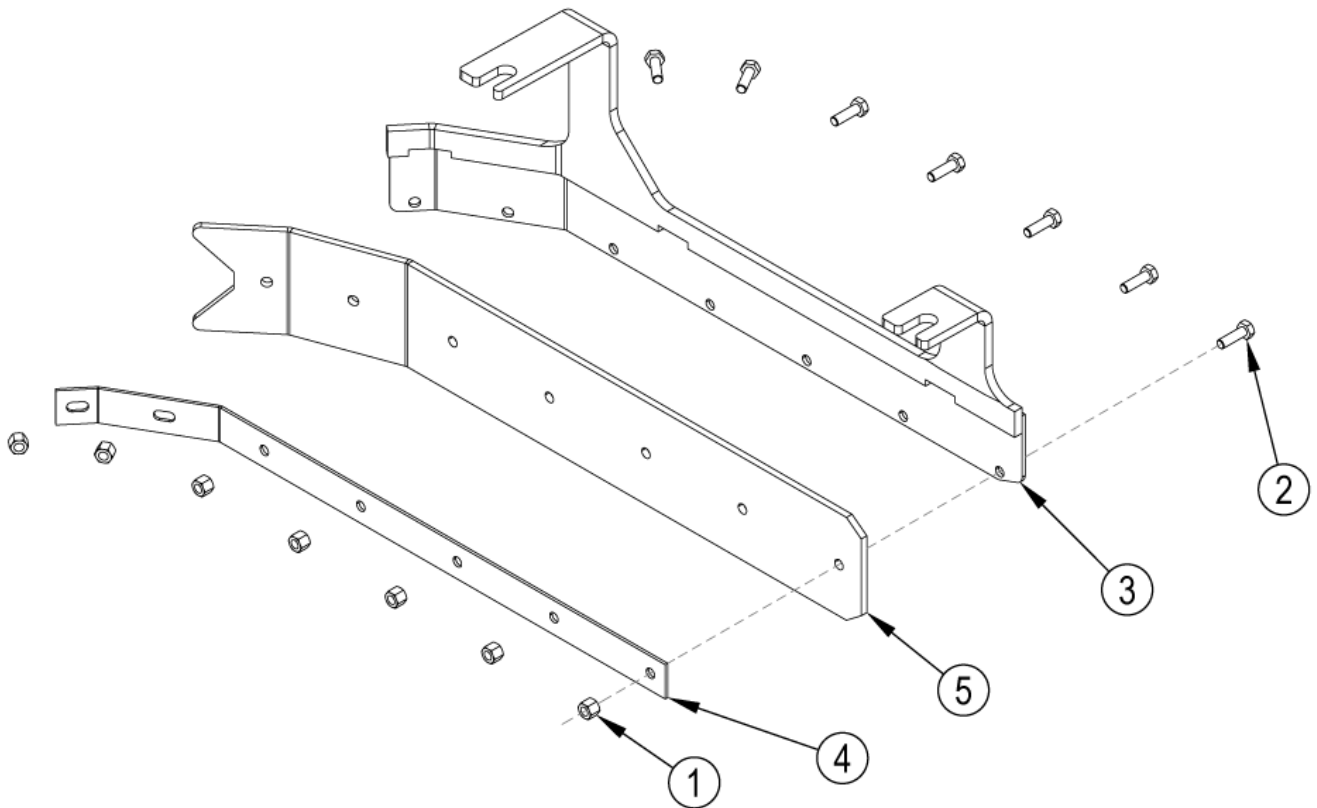
SCRUBTEC R6

29-09-2014

Part List ID

SCR622

34



SCRUB SYSTEM-CYLINDRICAL SKIRT ASSEMBLY

SCRUBTEC R6

29-09-2014

Part List ID
SCR6ZZ

35

Pos	Part no.	Qty	Description
0	56114120	1	LT SKIRT ASSY-28C
1		7	NOTE COMMENT NUT, HEX NYL LOC SS M6-1
2		7	NOTE COMMENT SCR, HEX THD TO HD SS M6-1 X 20MM
3	56114122	1	LT SKIRT BKT WELDT-28C
4	56114188	1	STRAP-SKIRT
5		1	NOTE COMMENT BLADE, SIDE SKIRT
6	56114121	1	RT SKIRT ASSY-28C
6		7	NOTE COMMENT NUT, HEX NYL LOC SS M6-1
7		7	NOTE COMMENT SCR, HEX THD TO HD SS M6-1 X 20MM
8	56114123	1	RT SKIRT BKT WELDT-28C
9	56114191	1	STRAP-SKIRT
10		1	NOTE COMMENT BLADE, SIDE SKIRT
K1	56114315	1	HARDWARE KIT-CYL SIDE SKIRT NOTE 1, Includes pos. 1,2,6,7
K2	56114370	1	SIDE SKIRT KIT GUM 21/530 NOTE 2, Includes pos. 5,10
OP	56114372	1	SIDE SKIRT KIT PU 21/530 NOTE 2
OP	56114374	1	SIDE SKIRT KIT RED 21/530 NOTE 2

NOTE 1: Hardware Kit includes hardware for both left and right side skirts (one per machine).

NOTE 2: Blade Kits include both left and right side deck blades (one per machine).

K1 Includes pos. 1,2,6,7

SCRUB SYSTEM-71-86 DISK SKIRT ASSEMBL

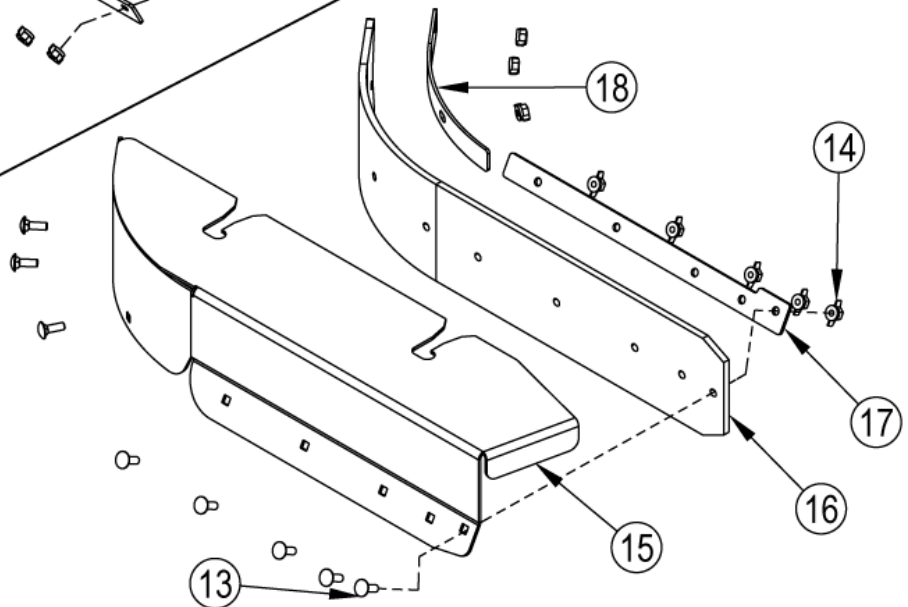
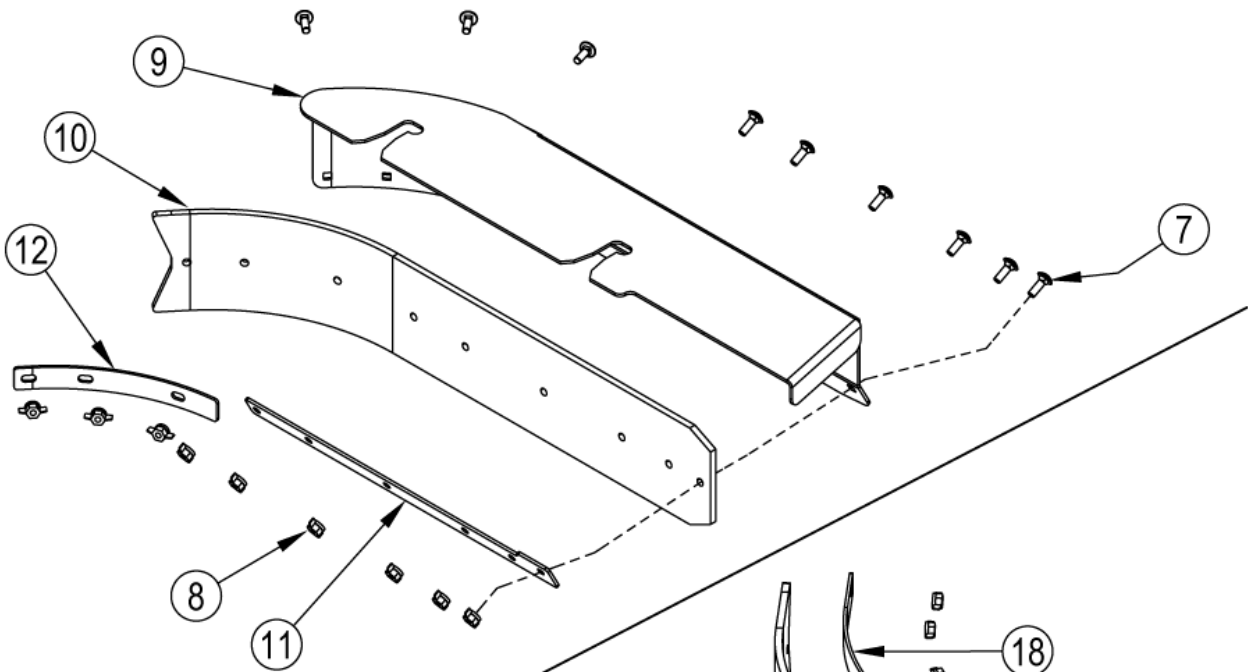
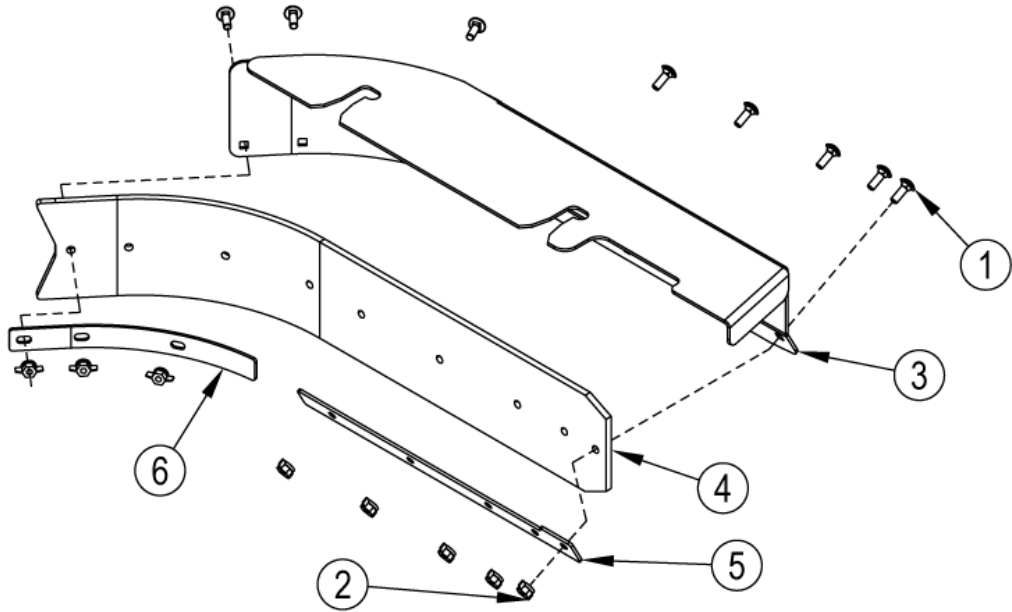
29-09-2014

SCRUBTEC R6

Part List ID

SCR624

36



SCRUB SYSTEM-71-86 DISK SKIRT ASSEMBLY

SCRUBTEC R6

29-09-2014

Part List ID
SCR624

37

Pos	Part no.	Qty	Description	
0	56114110	1	LEFT SKIRT ASSY-28D	(R 6 71) (items 1-6)
1		1	NOTE COMMENT	Scr-Carriage SS 1/4-20 X .75
2		9	NOTE COMMENT	Nut- Wing Plastic Loc 1/4-20
3	56114114	1	SKIRT BKT WELDT-LT-28D	NOTE 3
4		1	NOTE COMMENT	Blade-Skirt-28dD34D-Gum
5	56114384	1	STRAP FRONT 28D 34D	NOTE 4
6	56114386	1	STRAP REAR 28D 34D	NOTE 4
7	56114116	1	LEFT SKIRT ASSY-34D	(R 6 71, 86) (items 7-12)
7		1	NOTE COMMENT	Scr-Carriage SS 1/4-20 X .75
8		9	NOTE COMMENT	Nut- Wing Plastic Loc 1/4-20
9	56114117	9	SKIRT BKT-LT-34D WELDT	NOTE 5
10		1	NOTE COMMENT	Blade-Skirt-28D34D-Gum
11	56114385	1	STRAP FRONT 34D LT	NOTE 6
12	56114117	1	SKIRT BKT-LT-34D WELDT	NOTE 6
13	56114111	1	RIGHT SKIRT ASSY-28-34D	(R 6 86) (items 13-18)
13		8	NOTE COMMENT	Scr-Carriage SS 1/4-20 X .75
14		8	NOTE COMMENT	Nut- Wing Plastic Loc 1/4-20
15	56114115	1	SKIRT BKT WELDT-RT-28-34D	NOTE 7
16		1	NOTE COMMENT	NUT- WING PLASTIC LOC 1/4-20
17	56114384	1	STRAP FRONT 28D 34D	NOTE 4
18	56114386	1	STRAP REAR 28D 34D	NOTE 4
K1	56114292	2	HARDWARE KIT-SKIRT	NOTE 1, Includes pos. 1,2,4,8,9,11,15,16,18
K2	56114364	1	SIDE SKIRT KIT GUM 24/610	NOTE 2, Includes pos. 7,14,21
OP	56114366	1	SIDE SKIRT KIT PU 24/610	NOTE 2
OP	56114368	1	SIDE SKIRT KIT RED 24/610	NOTE 2

NOTE 1: One Hardware Kit is required per skirt assembly (two per machine).

NOTE 2: Blade Kits include both left and right side deck blades (one per machine).

NOTE 3: The design of this part was changed after February 2013. If replacing this weldment on a machine built before March of 2013 you will also need to order items 5 and 6.

NOTE 4: This part is only used on machines built after February 2013. Machines built before March 2013 used a single strap that ran across the entire length of the blade, the part number for that strap is 56114112.

NOTE 5: The design of this part was changed after February 2013. If replacing this weldment on a machine built before March of 2013 you will also need to order items 11 and 12.

SCRUB SYSTEM-100 DISK SKIRT ASSEMBLY

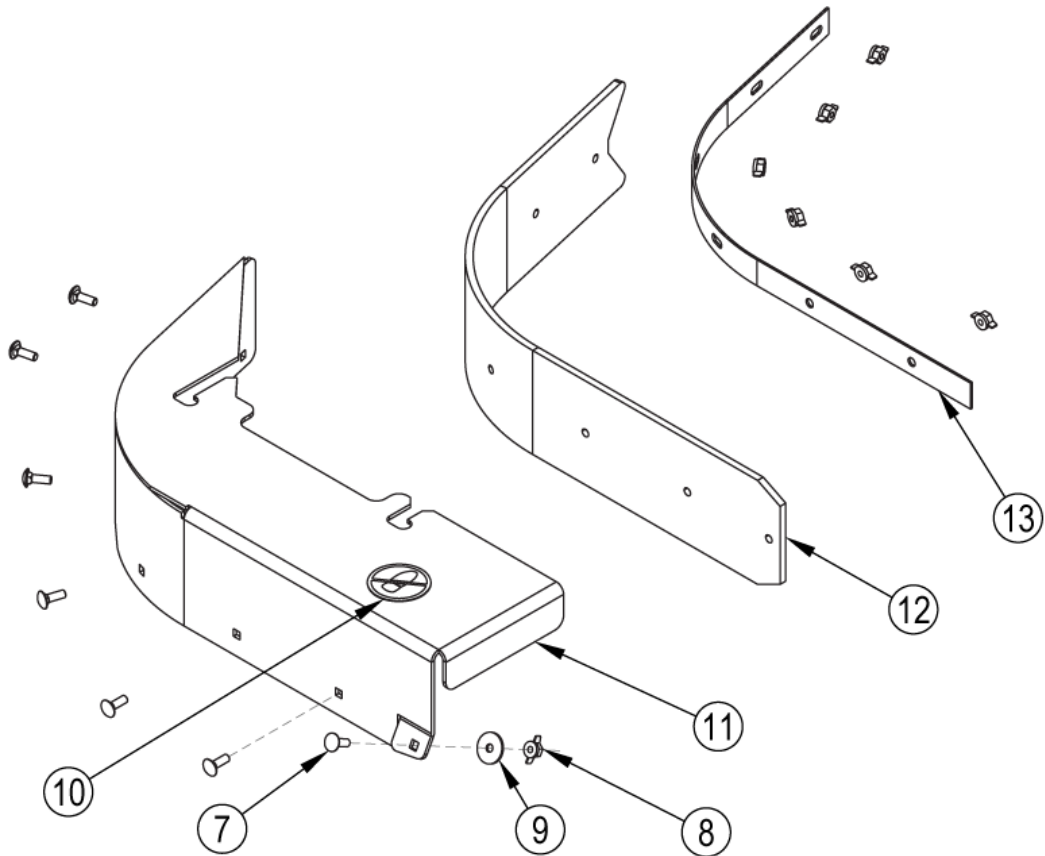
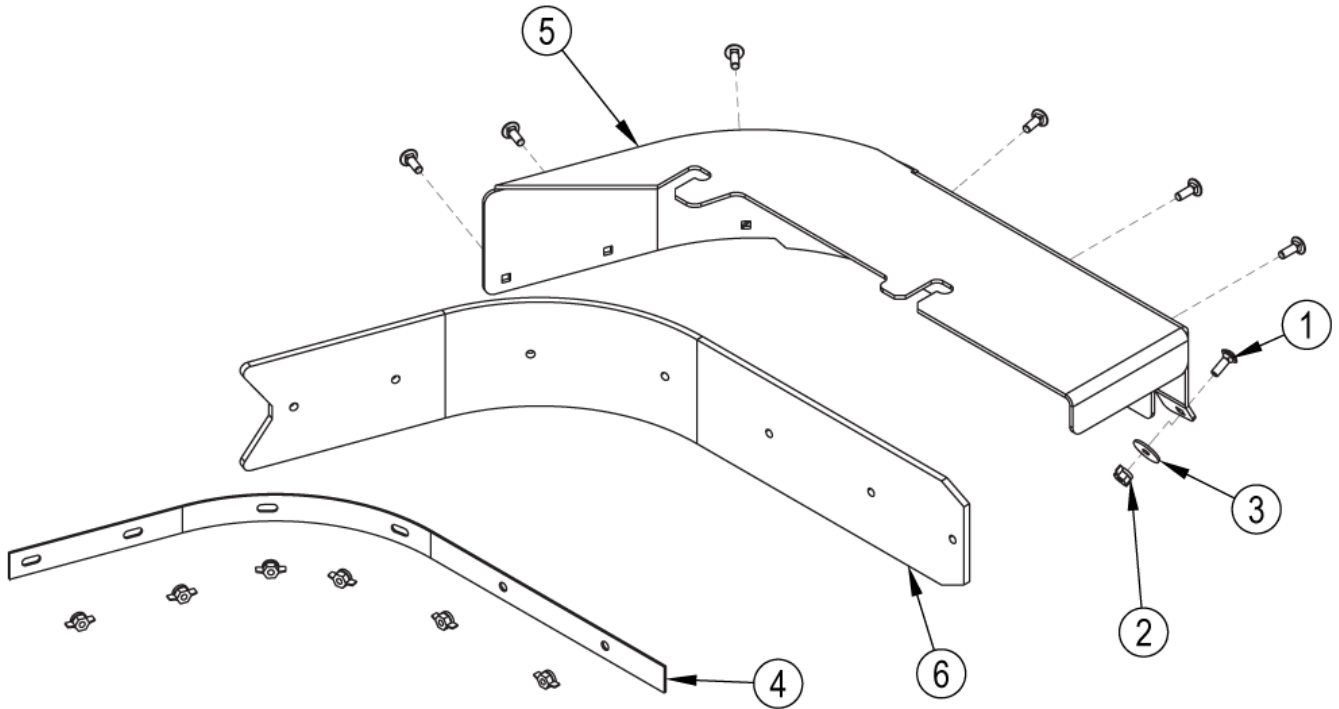
SCRUBTEC R6

29-09-2014

Part List ID

SCR626

38



SCRUB SYSTEM-100 DISK SKIRT ASSEMBLIE

SCRUBTEC R6

29-09-2014

Part List ID
SCR626

39

Pos	Part no.	Qty	Description	
0	56114104	1	LEFT SKIRT ASSY-40D	(R 6 100) (ITEMS 1-6)
1		7	NOTE COMMENT	SCR-CARRIAGE SS 1/4-20 X .75
2		7	NOTE COMMENT	NUT- WING PLASTIC LOC 1/4-20
3	56114107	1	SKIRT BKT-LT-40D WELDT	WSH, FLT SS .260 X 1.000 X .074
4	56114106	1	STRAP-SKIRT	NOTE 3
5	56114388	1	STRAP FRONT 40D	NOTE 4
6	56114389	1	STRAP REAR 40D	NOTE 4
7	56114105	1	RIGHT SKIRT ASSY-40D	(R 6 100) (items 7-13)
7		7	NOTE COMMENT	Scr-Carriage SS 1/4-20 X .75
8		7	NOTE COMMENT	Nut- Wing Plastic Loc 1/4-20
9	56016163	1	DECAL NO STEP	
10	56114108	1	SKIRT BKT-RT-40D WELDT	NOTE 5
11		1	NOTE COMMENT	Blade-Skirt Gum
12	56114388	1	STRAP FRONT 40D	NOTE 6
13	56114389	1	STRAP REAR 40D	NOTE 6
K1	56114292	2	HARDWARE KIT-SKIRT	NOTE 1, Includes pos. 1,2,3,7,8,9
K2	56114355	1	SIDE SKIRT KIT GUM 27.5/700	NOTE 2, Includes pos. 6,12
OP	56114356	1	SIDE SKIRT KIT PU 27.5/700	NOTE 2
OP	56114358	1	SIDE SKIRT KIT RED 27.5/700	NOTE 2

NOTE 1: One Hardware Kit is required per skirt assembly (two per machine).

NOTE 2: Blade Kits include both left and right side deck blades (one per machine).

NOTE 3: The design of this part was changed after February 2013. If replacing this weldment on a machine built before March of 2013 you will also need to order items 5 and 6.

NOTE 4: This part is only used on machines built after February 2013. Machines built before March 2013 used a single strap that ran across the entire length of the blade, the part number for that strap is 56114106.

NOTE 5: The design of this part was changed after February 2013. If replacing this weldment on a machine built before March of 2013 you will also need to order

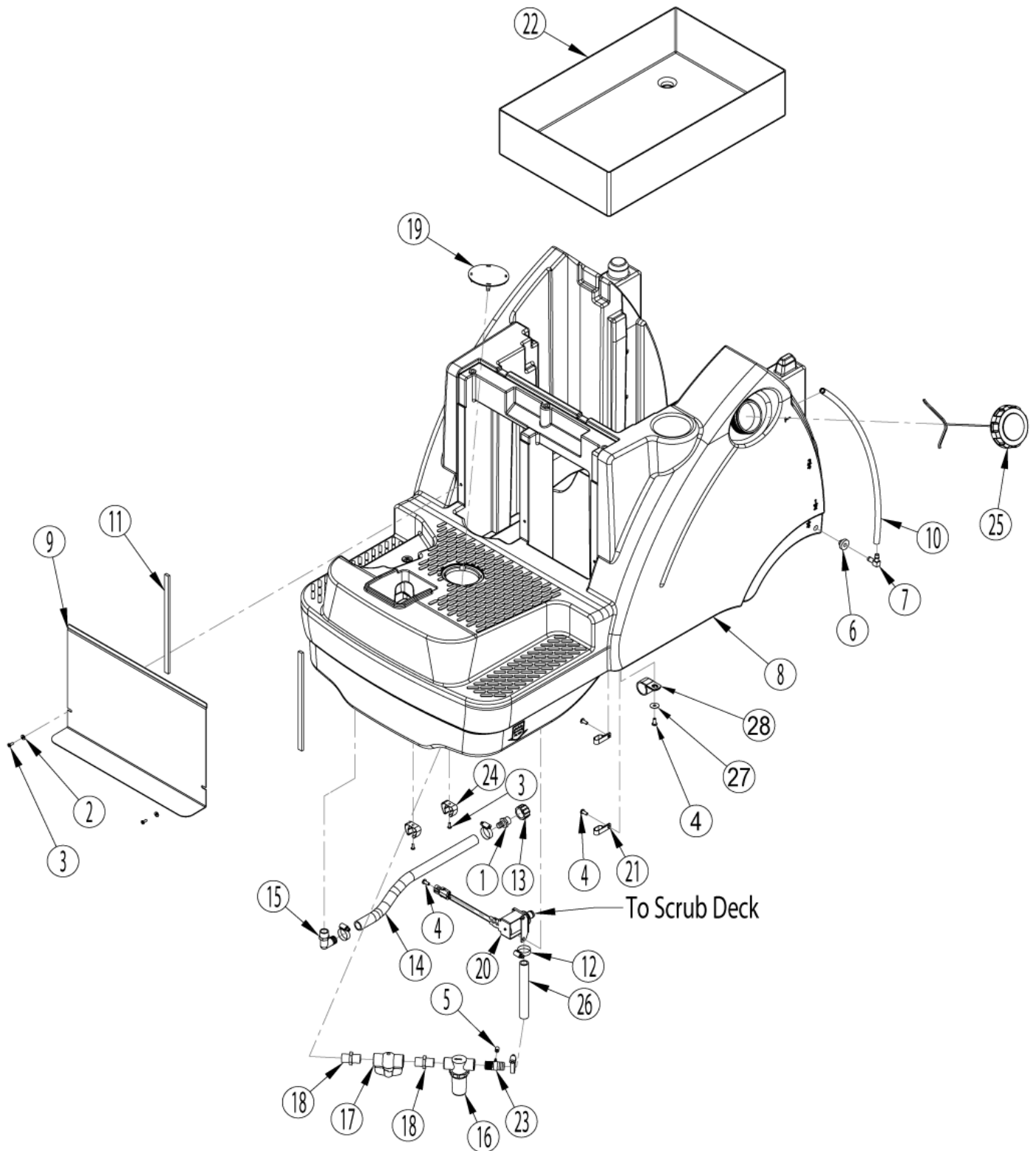
SOLUTION SYSTEM

SCRUBTEC R6

29-09-2014

Part List ID
SCR628

40



SOLUTION SYSTEM

SCRUBTEC R6

29-09-2014

Part List ID
SCR628

41

Pos	Part no.	Qty	Description	
1		1	NOTE COMMENT	BARB
2		2	NOTE COMMENT	WSH, FLT SAE 10
3		4	NOTE COMMENT	SCR-PAN PHIL 10-24 X .50
4		4	NOTE COMMENT	SCR-PAN PHIL 1/4-20 X .62
5		1	NOTE COMMENT	RUBBER TIP-BLACK
6		1	NOTE COMMENT	GROMMET
7		1	NOTE COMMENT	HOSEBARB .25 X .50
8	56114050	1	TANK-SOLUTION	
9	56114181	1	COVER-ELECTRICAL	
10		1	NOTE COMMENT	TUBE-PVC .38 X .50 X 26.00
11	56114252	2	GASKET-.25 X .50 X 11	
12		4	NOTE COMMENT	CLAMP- HOSE SAE 12
13		1	NOTE COMMENT	CAP, PIPE GHT NYLON
14		1	NOTE COMMENT	HOSE 17
15		1	NOTE COMMENT	BARB ELBOW
16	56315296	1	SOLUTION FILTER	
17		1	NOTE COMMENT	BALL VALVE
18		2	NOTE COMMENT	NIPPLE, HEX 3/4-14
19	56412263	1	CAP SPINDLE	
20	56601064	1	SOLENOID VALVE ASSEMBLY	
21		2	NOTE COMMENT	CLAMP-HOSE (DOUBLE) 1/2 O.D.
22	56601213	1	BATTERY BOX	
23		1	NOTE COMMENT	TEE, SPECIAL, 3/4 X 3/16 X 1/2NPT
24		2	NOTE COMMENT	HOSE CLIP
25	56601599	1	CAP-RAW WITH TETHER	
26		1	NOTE COMMENT	HOSE, SOLUTION (FLEX)
27	56003585	1	WSH FLT .282 X .875 X .036	
28	56409463	1	CLAMP 1.25 HOSE SUPPORT	
K1	56114275	1	HOSE KIT-DRAIN	Includes pos. 1,3,12,13,14,15,24
K2	56114276	1	VALVE AND FILTER KIT	Includes pos. 4,5,12,16,17,18,21,23,26
K3	56114277	1	SIGHT GAUGE KIT	Includes pos. 6,7,10
K4	56114349	1	HARDWARE KIT-ELEC COVER	Includes pos. 2,3

K1 Includes pos. 1,3,12,13,14,15,24

K2 Includes pos. 4,5,12,16,17,18,21,23,26

K3 Includes pos. 6,7,10

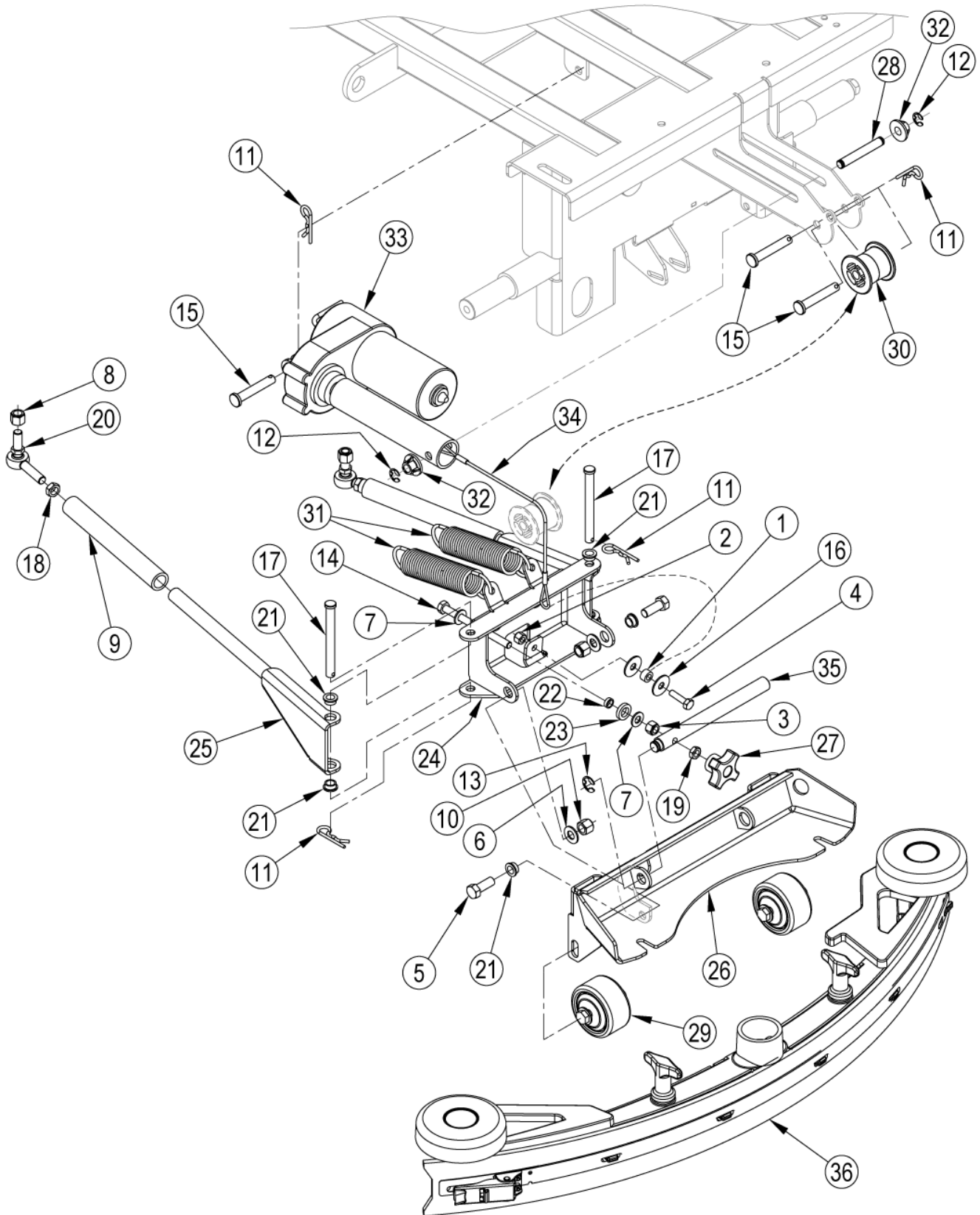
SQUEEGEE MOUNT SYSTEM

SCRUBTEC R6

29-09-2014

Part List ID
SCR630

42



SQUEEGEE MOUNT SYSTEM

SCRUBTEC R6

29-09-2014

Part List ID
SCR630

43

Pos	Part no.	Qty	Description
1	56453691	1	SPACER
2		1	NOTE COMMENT NUT, HEX NYL LOC SS 1/4-20
3		1	NOTE COMMENT NUT, HEX NYL LOC SS 5/16-18
4		1	NOTE COMMENT SCR- HEX SS 1/4-20 X 1.00
5		2	NOTE COMMENT SCR- HEX SS 3/8-16 X 1.00
6	56002910	2	WSH FLT SAE SS 3/8
7		2	NOTE COMMENT WSH-FLT SAE SS 5/16
8	56002951	2	NUT HEX NYL LOC 3/8-24
9	56601512	2	HOSE
10		2	NOTE COMMENT NUT, HEX NYL LOC SS 3/8-16
11		4	NOTE COMMENT PIN, COTTER HAIR
12		2	NOTE COMMENT RING, RET EXT TYPE E 0.38 DIA
13		1	NOTE COMMENT RING, RET EXT TYPE E 0.50 DIA
14		1	NOTE COMMENT SCR-HEX THD TO HD SS 5/16-18 X 4.00
15		3	NOTE COMMENT PIN-CLEVIS .375 X 2.25
16		2	NOTE COMMENT WSH-FLT SS .33 X 1.00 X.060
17		2	NOTE COMMENT PIN-CLEVIS .38 X 3.75
18	56009103	2	NUT HEX JAM 3/8 24
19		1	NOTE COMMENT NUT-HEX JAM SS 5/16-18
20	56601469	2	ROD END
21		6	NOTE COMMENT BEARING, FLANGE
22	56381818	1	BUSHING .32X.44X.14
23		1	NOTE COMMENT WASHER, POLYURETHANE
24	56316667	1	BRKT-SQUEEGEE PIVOT WELDT
25	56601460	2	BAR WELDMENT
26	56316668	1	BRKT-SQUEEGEE MOUNT WELDT
27		1	NOTE COMMENT KNOB
28		1	NOTE COMMENT PIN
29		2	NOTE COMMENT WHEEL
30		1	NOTE COMMENT ROLLER
31	56412216	2	SPRING EXTENSION
32		2	NOTE COMMENT SPACER, SQUEEGEE CABLE
33	56601147	1	ACTUATOR MOTOR 24V
34		1	NOTE COMMENT CABLE ASSEMBLY
35	56601442	1	SHAFT
36		1	NOTE COMMENT SQUEEGEE ASSEMBLY (SEE APPROPRIATE SQUEEGEE ASSEMB)
K1	56114319	1	CABLE KIT-SQUEEGEE Includes pos. 11,12,28,30,32,34
K3	56114321	1	ROLLER KIT-SQUEEGEE Includes pos. 29
K4	56114354	1	HARDWARE KIT-SQUEEGEE BRACKET Includes pos. 2,3,4,5,7,10,11,13,14,16,17,19,21,23

K1 Includes pos. 11,12,28,30,32,34

K3 Includes pos. 29

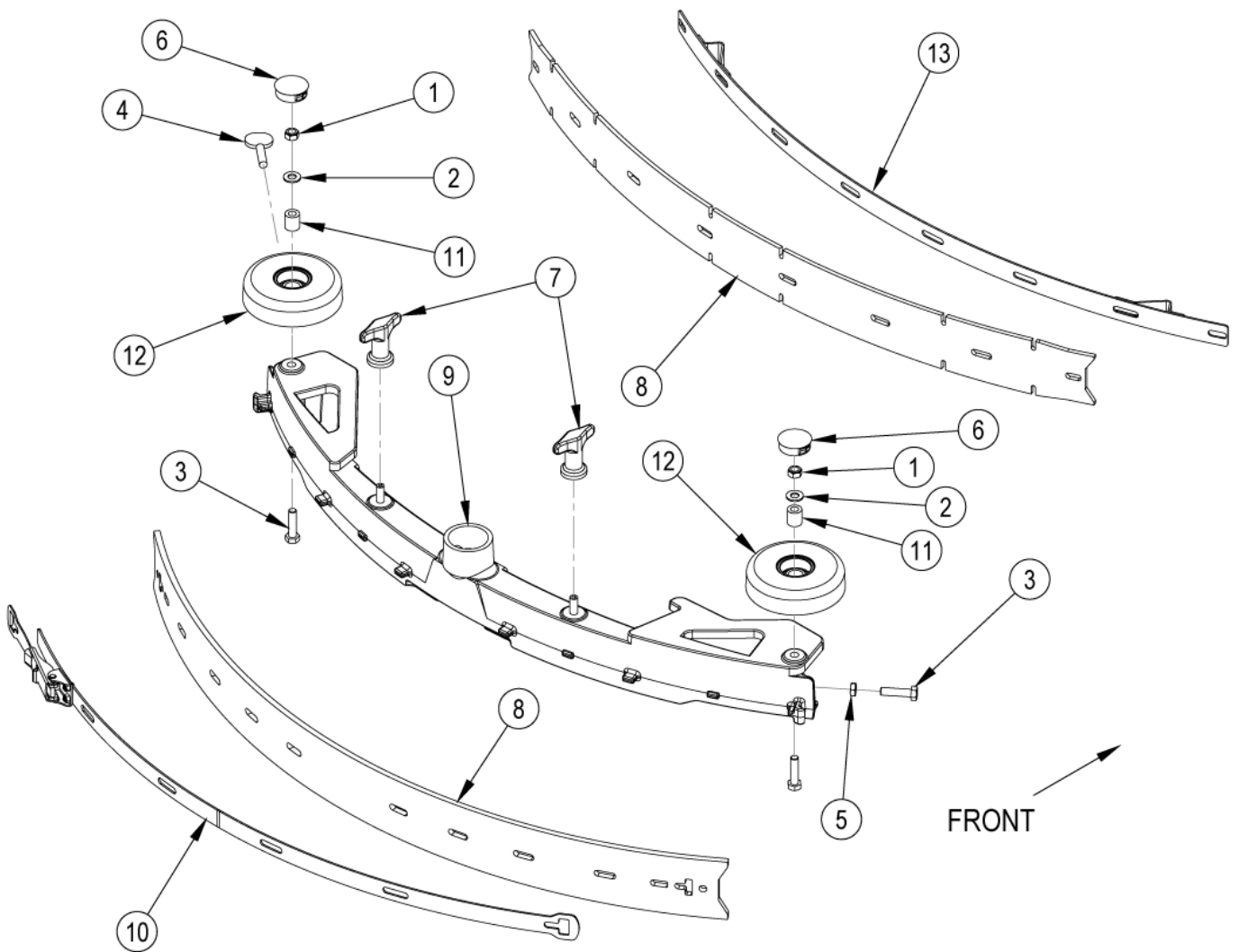
SQUEEGEE ASSY-71

SCRUBTEC R6

29-09-2014

Part List ID
SCR632

44



SQUEEGEE ASSY-71

SCRUBTEC R6

29-09-2014

Part List ID
SCR632

45

Pos	Part no.	Qty	Description	
0	56601449	1	SQUEEGEE ASSEMBLY	(Includes Gum Rubber Blades)
1	56002851	2	NUT HEX NYL LOC-THIN SS5/16-18	
2	56002938	2	WSH FLT SAE SS 5/16	
3	56003302	3	SCR HEX THD/HD SS 5/16-18X1.25	
4	56003792	1	SCR THUMB SS 5/16-18 X 1.25	
5	56009141	1	NUT HEX JAM SS 5/16 18	
6	56111444	2	BUTTON PLUG-1.25	
7	56370711	2	NUT THUMB	
8	56382734	1	BLADE KIT-SQUEEGEE-GUM 28	NOTE 1
9		1	NOTE COMMENT	Squeegee-Casting 28 Inch, NOTE 2
10	56382697	1	CLAMP-BAND 28 IN ASSY	
11	56601499	2	BUSHING NYLON	
12	56601450	2	WHEEL 4.00 OD	
13	56601489	1	FRONT STRAP WELDMENT	
OP	56382735	1	BLADE KIT-SQUEEGEE-RED GUM 28	NOTE 1
OP	56382737	1	BLADE KIT-SQUEEGEE-PU 28	NOTE 1

NOTE 1: All squeegee blade kits include both front and rear squeegee blades.

NOTE 2: The squeegee casting is not available for sale separately. If you need to replace your squeegee

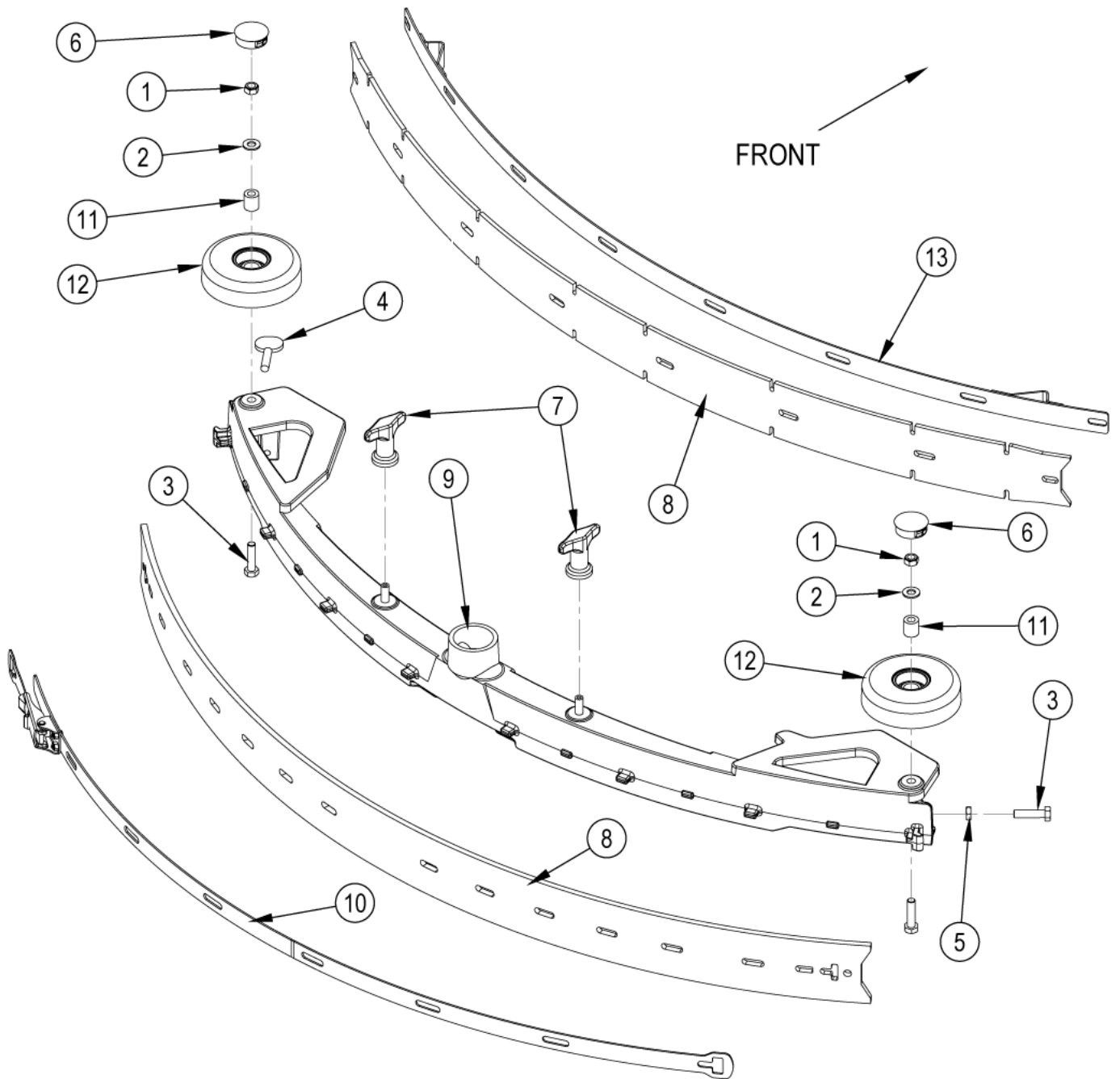
SQUEEGEE ASSY-86

SCRUBTEC R6

29-09-2014

Part List ID
SCR634

46



SQUEEGEE ASSY-86

SCRUBTEC R6

29-09-2014

Part List ID
SCR634

47

Pos	Part no.	Qty	Description	
0	56601454	1	SQUEEGEE ASSEMBLY	(Includes Gum Rubber Blades)
1	56002851	2	NUT HEX NYL LOC-THIN SS5/16-18	
2	56002938	2	WSH FLT SAE SS 5/16	
3	56003302	3	SCR HEX THD/HD SS 5/16-18X1.25	
4	56003792	1	SCR THUMB SS 5/16-18 X 1.25	
5	56009141	1	NUT HEX JAM SS 5/16 18	
6	56111444	2	BUTTON PLUG-1.25	
7	56370711	2	NUT THUMB	
8	56382738	1	BLADE KIT-SQUEEGEE-GUM 34	NOTE 1
9		1	NOTE COMMENT	Squeegee-Casting 34 Inch NOTE 2
10	56382698	1	CLAMP-BAND 34 IN ASSY	
11	56601499	2	BUSHING NYLON	
12	56601450	2	WHEEL 4.00 OD	
13	56601495	1	FRONT STRAP WELDMENT	
OP	56382739	1	BLADE KIT-SQUEEGEE-RED GUM 34	NOTE 1
OP	56382740	1	BLADE KIT-SQUEEGEE-PU 34	NOTE 1

NOTE 1: All squeegee blade kits include both front and rear squeegee blades.

NOTE 2: The squeegee casting is not available for sale separately. If you need to replace your squeegee

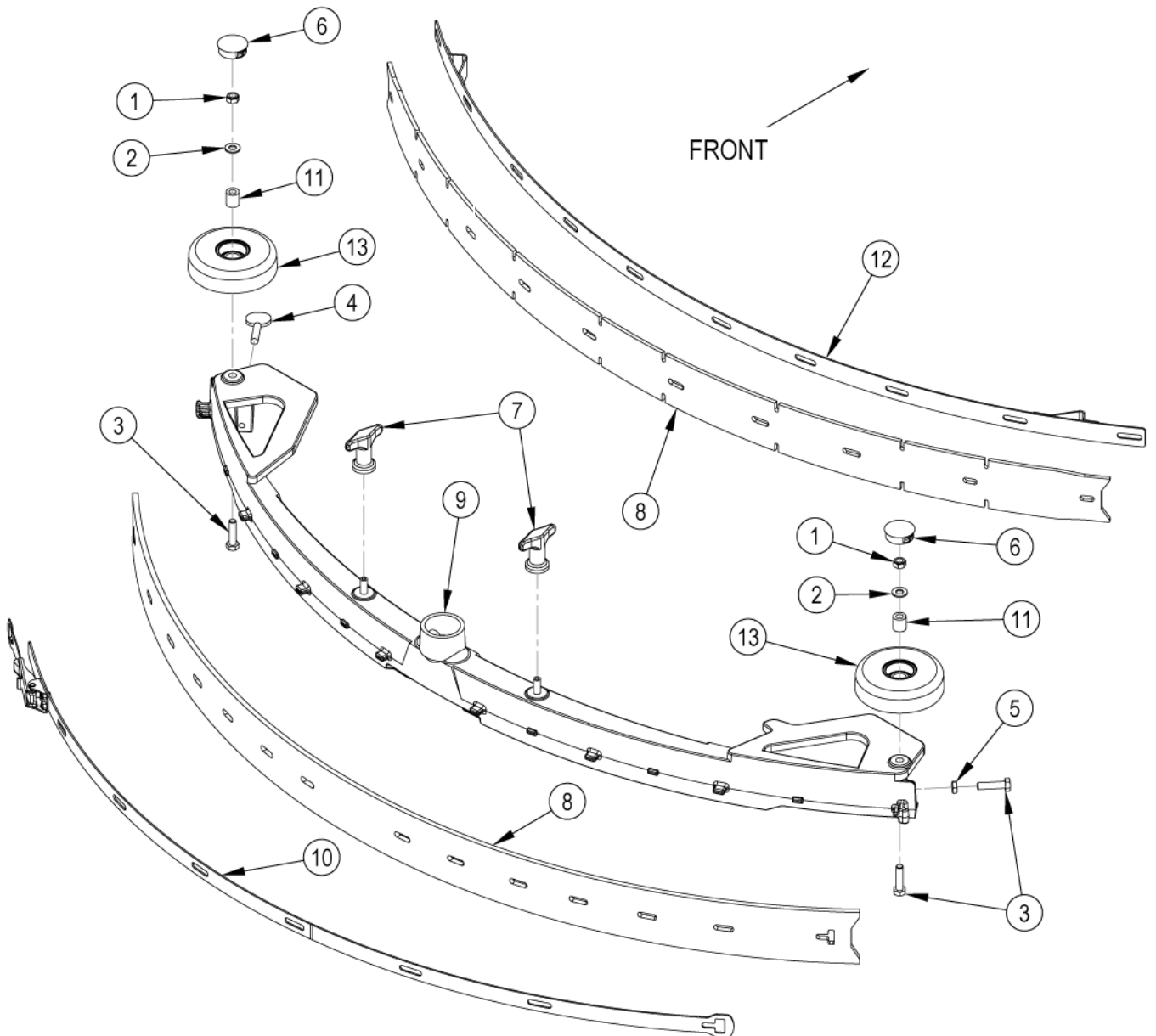
SQUEEGEE ASSY-100

SCRUBTEC R6

29-09-2014

Part List ID
SCR636

48



SQUEEGEE ASSY-100

SCRUBTEC R6

29-09-2014

Part List ID
SCR636

49

Pos	Part no.	Qty	Description	
0	56390784	1	SQUEEGEE ASSY 38 GUM	(Includes Gum Rubber Blades)
1	56002851	2	NUT HEX NYL LOC-THIN SS5/16-18	
2	56002938	2	WSH FLT SAE SS 5/16	
3	56003302	3	SCR HEX THD/HD SS 5/16-18X1.25	
4	56003792	1	SCR THUMB SS 5/16-18 X 1.25	
5	56009141	1	NUT HEX JAM SS 5/16 18	
6	56111444	2	BUTTON PLUG-1.25	
7	56370711	2	NUT THUMB	
8	56382741	1	BLADE KIT-SQUEEGEE-GUM 38	NOTE 1
9		1	NOTE COMMENT	Squeegee-Casting 38 In NOTE 2
10	56382699	1	CLAMP-BAND 38 IN ASSY	
11	56601499	2	BUSHING NYLON	
12	56390824	1	WELDMENT FRONT STRAP	
13	56601450	2	WHEEL 4.00 OD	
OP	56382742	1	BLADE KIT-SQUEEGEE-RED GUM 38	NOTE 1
OP	56382743	1	BLADE KIT-SQUEEGEE-PU 38	NOTE 1

NOTE 1: All squeegee blade kits include both front and rear squeegee blades.

NOTE 2: The squeegee casting is not available for sale separately. If you need to replace your squeegee

LADDER DIAGRAM-1

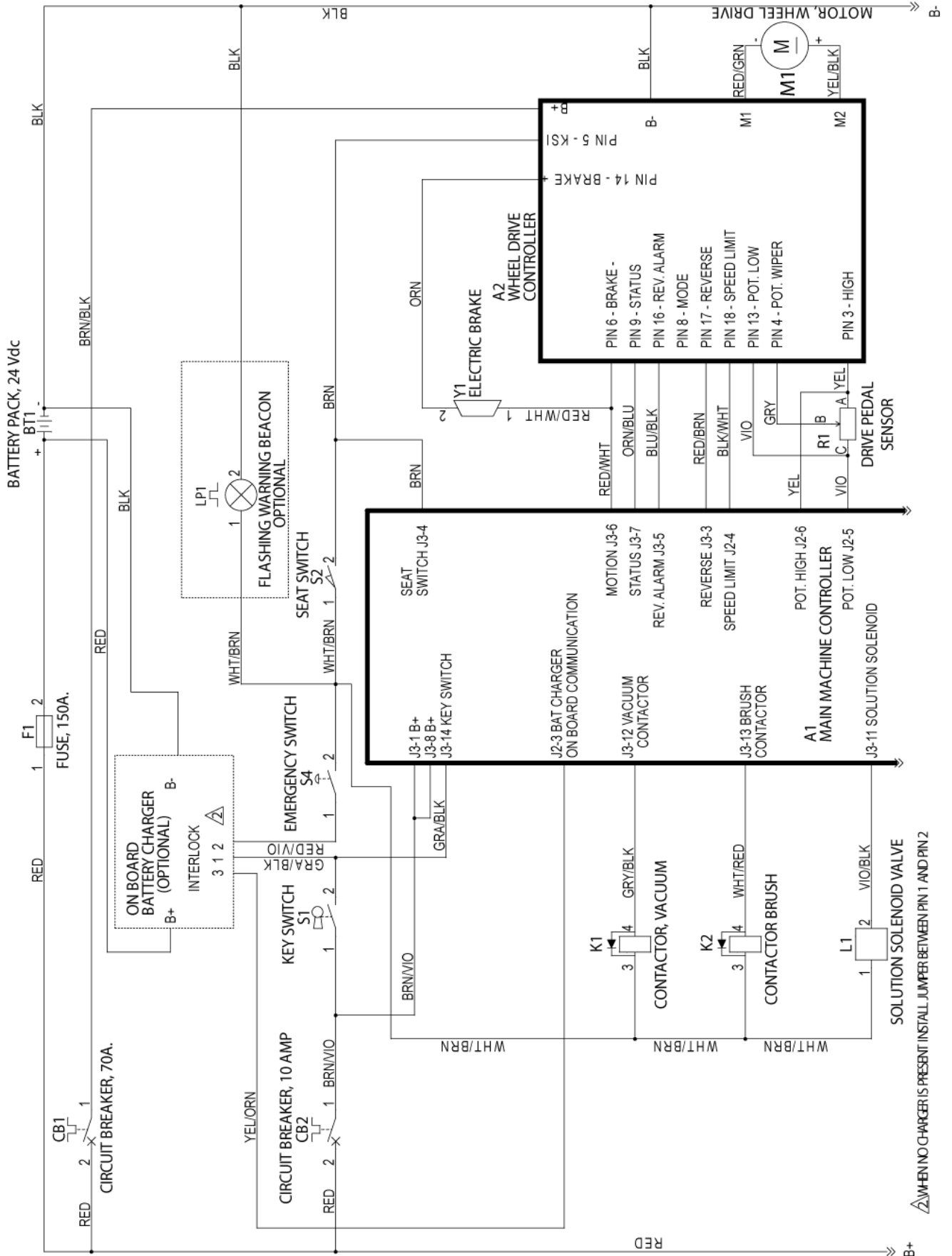
SCRUBTEC R6

29-09-2014

Part List ID
SCR638

50

LADDER DIAGRAM-1



△ WHEN NO CHARGER IS PRESENT INSTALL JUMPER BETWEEN PIN 1 AND PIN 2

LADDER DIAGRAM-1

SCRUBTEC R6

29-09-2014

Part List ID
SCR638

51

Pos	Part no.	Qty	Description	
0	56114378	1	BATTERY CHARGER 24V 25A	
A1	56114299	1	USER INTERFACE PANEL KIT	
A2	56114234	1	SPEED CONTROLLER	
F1	56114294	1	STANDOFF AND BREAKER KIT	
K1	56601183	1	CONTACTOR 24V 100 AMP	
K2	56412179	1	CONTACTOR 24 VDC	
L1	56601064	1	SOLENOID VALVE ASSEMBLY	
M1	56601050	1	MOTOR DRIVE WHEEL	
R1		1	NOTE COMMENT	Part of Foot Pedal 56114155
S1	56303526	1	KEY REPLACEMENT SET OF 2	Optional
S1	56303553	1	KEY SWITCH ASSEMBLY	
S2	7-82-00050	1	SWITCH SEAT	
S4	56114293	1	ESTOP KIT	E-stop kit
Y1	56601507	1	PARKING BRAKE	
BT1		1	NOTE COMMENT	Battery
CB1	56454429	1	CIRCUIT BREAKER 70A	Traverse
CB2	56507644	1	CIRCUIT BREAKER 10 AMP	Key Switch
LP1	56114262	1	BEACON-WARNING	Optional

LADDER DIAGRAM-2

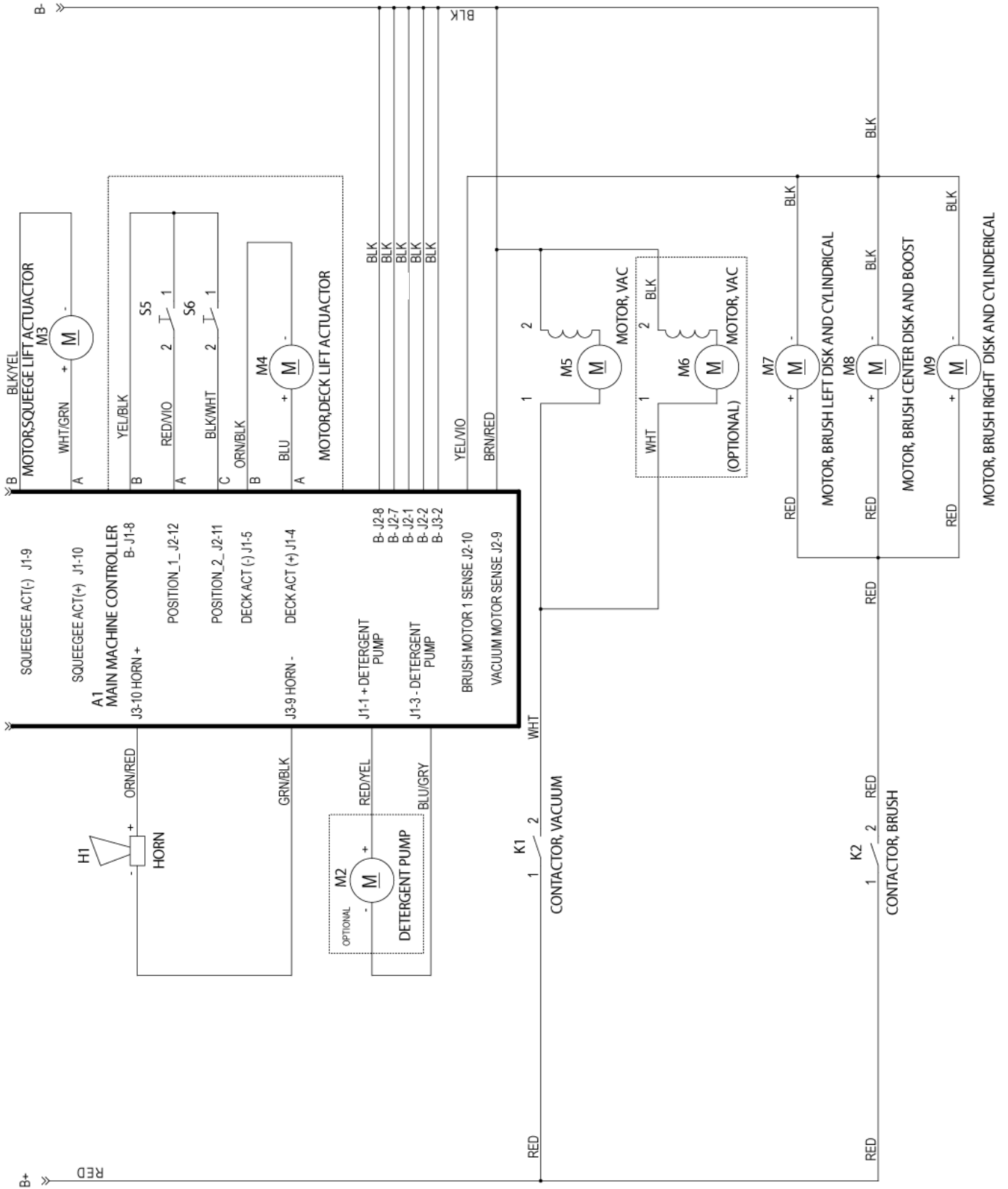
SCRUBTEC R6

29-09-2014

Part List ID
SCR640

52

LADDER DIAGRAM-2



LADDER DIAGRAM-2

SCRUBTEC R6

29-09-2014

Part List ID
SCR640

53

Pos	Part no.	Qty	Description
A1	56114299	1	USER INTERFACE PANEL KIT
H1	56412177	1	HORN BACKUP ALARM
K1	56601183	1	CONTACTOR 24V 100 AMP (Vac)
K2	56412179	1	CONTACTOR 24 VDC (Brush)
M2	56315241	1	PUMP CHEMICAL (optional)
M3	56601147	1	ACTUATOR MOTOR 24V (Squeegee Lift)
M4	56114362	1	ACTUATOR (Deck Lift)
M5	56114278	1	VAC MOTOR KIT (Vac Motor Kit)
M5	56380529	1	CARBON-BRUSH/SET OF 2 (for Vac Motor)
M6	56114278	1	VAC MOTOR KIT (optional) (Vac Motor Kit)
M6	56380529	1	CARBON-BRUSH/SET OF 2 (for Vac Motor)
M7	56114324	1	MOTOR KIT-BRUSH EU (disk) (left) (Motor Kit)
M7	56315061	1	MOTOR 24VDC .5HP 1800RPM (cylindrical)
M7	56412287	1	MOTOR BRUSH/SPRING KIT for 56315061)
M7	56601534	1	CARBON BRUSH (for Disk Motor)
M8	56114324	1	MOTOR KIT-BRUSH EU disk) (center) (Motor Kit)
M8	56601534	1	CARBON BRUSH (for Disk Motor)
M9	56114324	1	MOTOR KIT-BRUSH EU (disk) (right) (Motor Kit)
M9	56315061	1	MOTOR 24VDC .5HP 1800RPM (cylindrical)
M9	56412287	1	MOTOR BRUSH/SPRING KIT for 56315061)
M9	56601534	1	CARBON BRUSH (for Disk Motor)
S5		1	NOTE COMMENT Part of A1
S6		1	NOTE COMMENT Part of A1

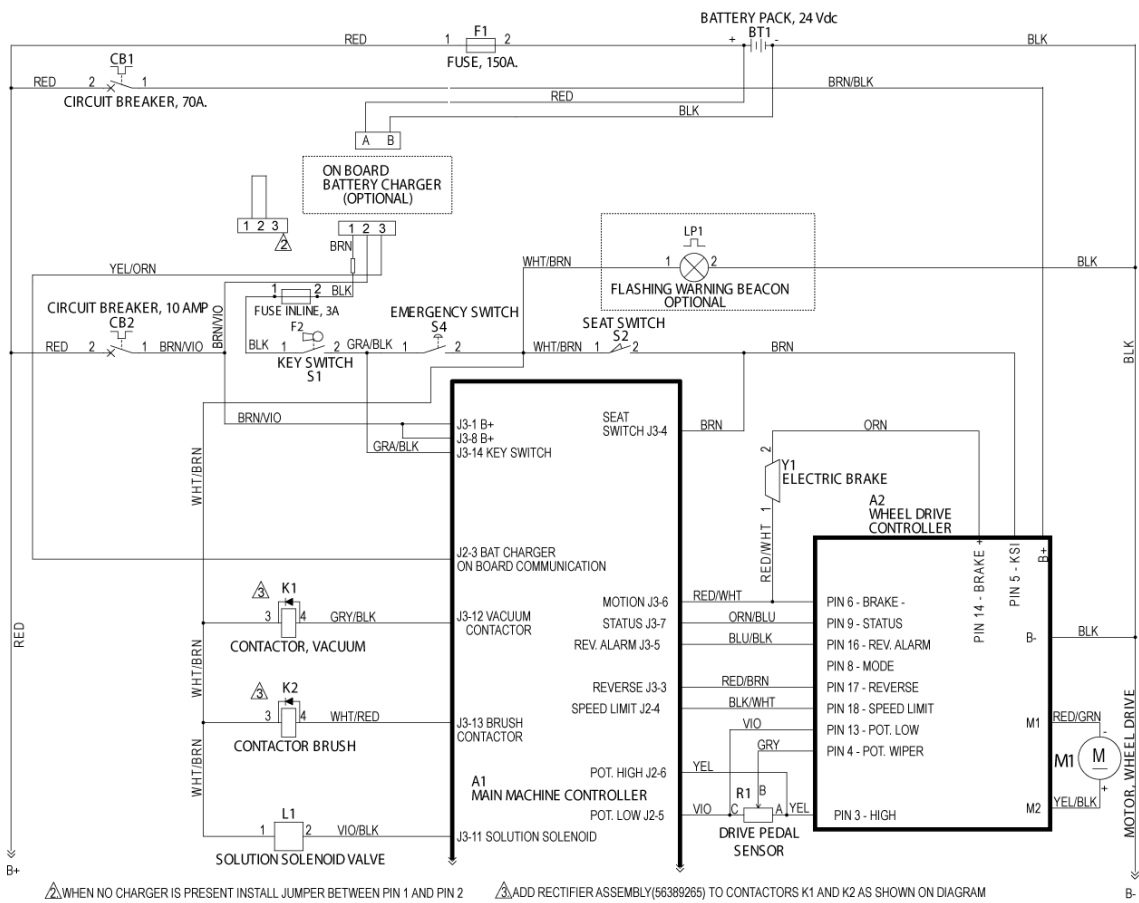
Ladder Diagram-1 After June 2014

SCRUBTEC R6

29-09-2014

Part List ID
SCR638A

54



Ladder Diagram-1 After June 2014

SCRUBTEC R6

29-09-2014

Part List ID
SCR638A

55

Pos	Part no.	Qty	Description
A1	56114299	1	USER INTERFACE PANEL KIT
A2	56114234	1	SPEED CONTROLLER
F1	56114294	1	STANDOFF AND BREAKER KIT
K1	56601183	1	CONTACTOR 24V 100 AMP
K2	56412179	1	CONTACTOR 24 VDC
L1	56601064	1	SOLENOID VALVE ASSEMBLY
M1	56601050	1	MOTOR DRIVE WHEEL
R1		1	NOTE COMMENT Part of Foot Pedal 56114155
S1	56303526	1	KEY REPLACEMENT SET OF 2
S1	56303553	1	KEY SWITCH ASSEMBLY
S2	7-82-00050	1	SWITCH SEAT
S4	56114293	1	ESTOP KIT
Y1	56114378	1	BATTERY CHARGER 24V 25A
Y1	56601507	1	PARKING BRAKE
BT1		1	NOTE COMMENT Battery
CB1	56454429	1	CIRCUIT BREAKER 70A
CB2	56507644	1	CIRCUIT BREAKER 10 AMP
LP1	56114262	1	BEACON-WARNING

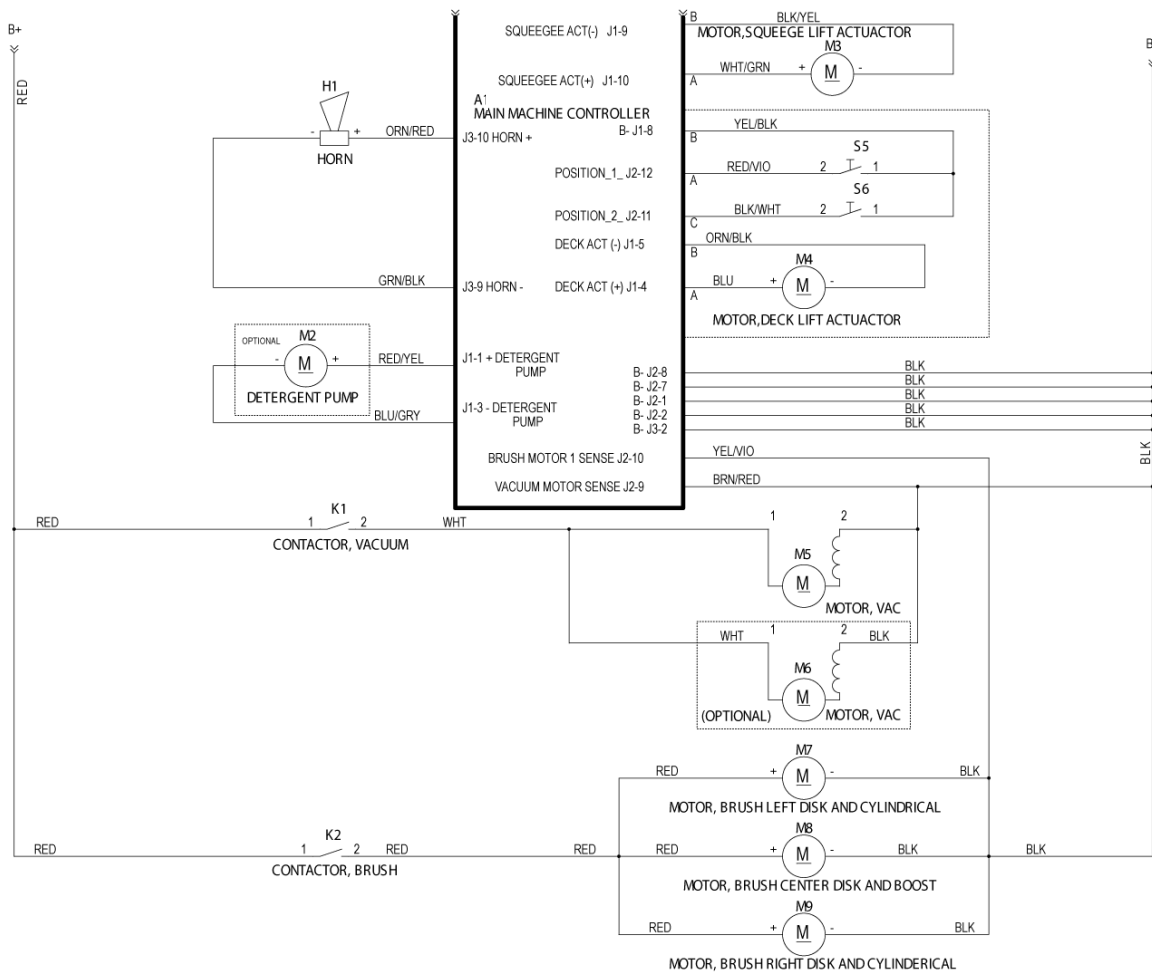
Ladder Diagram-2 After June 2014

SCRUBTEC R6

29-09-2014

Part List ID
SCR640A

56



Ladder Diagram-2 After June 2014

SCRUBTEC R6

29-09-2014

Part List ID
SCR640A

57

Pos	Part no.	Qty	Description	
A1	56114299	1	USER INTERFACE PANEL KIT	
H1	56412177	1	HORN BACKUP ALARM	
K1	56601183	1	CONTACTOR 24V 100 AMP	
K2	56412179	1	CONTACTOR 24 VDC	
M2	56315241	1	PUMP CHEMICAL	
M3	56601147	1	ACTUATOR MOTOR 24V	
M4	56114362	1	ACTUATOR	
M5	56114278	1	VAC MOTOR KIT	
M5	56380529	1	CARBON-BRUSH/SET OF 2	
M6	56114278	1	VAC MOTOR KIT	
M6	56380529	1	CARBON-BRUSH/SET OF 2	
M7	56114324	1	MOTOR KIT-BRUSH EU	
M7	56315061	1	MOTOR 24VDC .5HP 1800RPM	
M7	56412287	1	MOTOR BRUSH/SPRING KIT	
M7	56601534	1	CARBON BRUSH	
M8	56114324	1	MOTOR KIT-BRUSH EU	
M8	56601534	1	CARBON BRUSH	
M9	56114324	1	MOTOR KIT-BRUSH EU	
M9	56315061	1	MOTOR 24VDC .5HP 1800RPM	
M9	56412287	1	MOTOR BRUSH/SPRING KIT	
M9	56601534	1	CARBON BRUSH	
S1		1	NOTE COMMENT	Part of A1
S2		1	NOTE COMMENT	Part of A1

OPTIONAL KITS AND ACCESSORIES

SCRUBTEC R6

29-09-2014

Part List ID

SCR642

58

No Drawing For Part List

OPTIONAL KITS AND ACCESSORIES

SCRUBTEC R6

29-09-2014

Part List ID
SCR642

59

Pos	Part no.	Qty	Description	
1	7-03-04249	1	ARM REST LH RH	NOTE 4
2	56383188	1	ARM REST KIT R/H + L/H	NOTE 5
3	56114253	1	KIT-WARNING BEACON	
4	56601087	1	KIT VACUUM WAND WITH CADDY	
5	56422162	1	KIT SEAT BELT	
6	56114245	1	KIT-DUAL VAC MOTOR	
8	56114088	1	CHEMICAL INJECTION KIT	
9	56114246	1	KIT-VACUUM SOUND REDUCTION	
10	56114260	1	KIT-EU ONBOARD CHARGER	
11	56382734	1	BLADE KIT-SQUEEGEE-GUM 28	NOTE 1
12	56382737	1	BLADE KIT-SQUEEGEE-PU 28	NOTE 1
13	56382735	1	BLADE KIT-SQUEEGEE-RED GUM 28	NOTE 1
14	56382738	1	BLADE KIT-SQUEEGEE-GUM 34	NOTE 1
15	56382740	1	BLADE KIT-SQUEEGEE-PU 34	NOTE 1
16	56382739	1	BLADE KIT-SQUEEGEE-RED GUM 34	NOTE 1
17	56382741	1	BLADE KIT-SQUEEGEE-GUM 38	NOTE 1
18	56382743	1	BLADE KIT-SQUEEGEE-PU 38	NOTE 1
19	56382742	1	BLADE KIT-SQUEEGEE-RED GUM 38	NOTE 1
20	56114364	1	SIDE SKIRT KIT GUM 24/610	NOTE 2
21	56114366	1	SIDE SKIRT KIT PU 24/610	NOTE 2
22	56114368	1	SIDE SKIRT KIT RED 24/610	NOTE 2
23	56601248	1	BLADE FRONT 28	(Gum)
24	56601521	1	BLADE FRONT 28	(PU)
25	56114364	1	SIDE SKIRT KIT GUM 24/610	NOTE 2
26	56114366	1	SIDE SKIRT KIT PU 24/610	NOTE 2
27	56114368	1	SIDE SKIRT KIT RED 24/610	NOTE 2
28	56601275	1	BLADE FRONT 34	(Gum)
29	56601750	1	BLADE KIT-FRONT 34 IN W/FAST	(includes mounting rivets)
30	56601522	1	BLADE FRONT 34	(PU)
31	56114355	1	SIDE SKIRT KIT GUM 27.5/700	NOTE 2
32	56114356	1	SIDE SKIRT KIT PU 27.5/700	NOTE 2
33	56114358	1	SIDE SKIRT KIT RED 27.5/700	NOTE 2
34	56390795	1	BLADE FRONT GUM	(Gum)
35	56114341	1	BLADE-FRONT-38-PU	(PU)
36	56114287	1	BLADE KIT-FRONT 40	(Gum) (includes mounting rivets)
37	56114370	1	SIDE SKIRT KIT GUM 21/530	NOTE 3
38	56114372	1	SIDE SKIRT KIT PU 21/530	NOTE 3
39	56114374	1	SIDE SKIRT KIT RED 21/530	NOTE 3
40	56383571	1	PROGRAMMER-USER	Accessories
41	56383572	1	PROGRAMMER CABLE-MOLEX	Accessories
43	56114242	2	PAD DRIVER ASM 13.75	

NOTE 1: All squeegee blade kits include both front and rear squeegee blades.

NOTE 2: All disk deck blade kits include all side skirt blades, does not include the front deck blade.

NOTE 3: All cylindrical deck blade kits include both left and right side blades.

NOTE 4: Only for 8-69-00022 (seat with steel seat pan).

OPTIONAL KITS AND ACCESSORIES

SCRUBTEC R6

29-09-2014

Part List ID
SCR642

60

Pos	Part no.	Qty	Description
44	56114224	2	BRUSH ASM-SOFT NYLON 13.5
45	56114223	2	BRUSH ASM-POLY 13.5
46	56114225	2	BRUSH ASM-LITE GRIT 13.5
47	56114226	2	BRUSH ASM-MEDIUM GRIT 13.5
48	56114227	2	BRUSH ASM-HEAVY GRIT 13.5
49	56114243	2	PAD DRIVER ASM 16.75
50	56114229	2	BRUSH ASM-SOFT NYLON 16.5
51	56114228	2	BRUSH ASM-POLY 16.5
52	56114230	2	BRUSH ASM-LITE GRIT 16.5
53	56114231	2	BRUSH ASM-MEDIUM GRIT 16.5
54	56114232	2	BRUSH ASM-HEAVY GRIT 16.5
56	56412192	2	BRUSH HARD NYLON 28 NATURAL
57	56412046	2	BRUSH POLYPROPYLENE 28 RED
58	56412193	2	BRUSH 180 GRIT 28-BLUE/GREY
60	56412195	2	BRUSH 46 GRIT 28 ORANG/BROWN

NOTE 1: All squeegee blade kits include both front and rear squeegee blades.

NOTE 2: All disk deck blade kits include all side skirt blades, does not include the front deck blade.

NOTE 3: All cylindrical deck blade kits include both left and right side blades.

NOTE 4: Only for 8-69-00022 (seat with steel seat pan).

BRUSH SELECTOR GUIDE-DISK

SCRUBTEC R6

29-09-2014

Part List ID
SCR644

61

We provide brushes and pad holders that will give you the best possible performance between machine and floor. Following are descriptions of the materials and their applications.

- Soft Nylon:** Bristles are made from light-duty polypropylene for general scrubbing when you do not want to scratch or remove finish from the floor. Recommended for use in place of red pads.
- Poly:** Polypropylene material for medium-duty scrubbing on concrete, terrazzo and vinyl floor tile. Recommended for use in place of green or blue pads.
- Lite Grit:** For light scrubbing when used wet; buffing or polishing when used dry on urethane coated, sealed concrete or other resilient hard surface floors. Recommended for use in place of red or white pads.
- Medium Grit:** For general purpose scrubbing of sealed or unsealed concrete, stone, terrazzo, quarry tile and other resilient hard floor surfaces. Recommended for use in place of green or blue pads.
- Heavy Grit:** For aggressive, heavy-duty scrubbing or stripping of floors. Recommended for use in place of brown pads.

R 6 71 DECK BRUSHES (QTY 2 EACH)

56114242 - Pad Driver
56114224 - Soft Nylon
56114223 - Poly
56114225 - Lite Grit
56114226 - Medium Grit
56114227 - Heavy Grit

R 6 86 DECK BRUSHES (QTY 2 EACH)

56114243 - Pad Driver
56114229 - Soft Nylon
56114228 - Poly
56114230 - Lite Grit
56114231 - Medium Grit
56114232 - Heavy Grit

R 6 100 DECK BRUSHES (QTY 3 EACH)

56114241 - Pad Driver
56114219 - Soft Nylon
56114218 - Poly
56114220 - Lite Grit
56114221 - Medium Grit
56114222 - Heavy Grit

DISC BRUSH APPLICATION GUIDE (SUGGESTION ONLY)

Application	Heavy Grit	Medium Grit	Lite Grit	Poly	Soft Nylon
Stripping:					
Concrete	X				
Terrazzo	X				
Ceramic/Quarry tile	X				
Vinyl tile	X				
General Scrubbing:					
Concrete	X	X	X	X	
Terrazzo		X	X	X	
Ceramic/Quarry tile		X	X	X	
Marble			X	X	X
Vinyl tile		X	X	X	
Raised-rubber tile			X	X	X

BRUSH SELECTOR GUIDE-DISK

SCRUBTEC R6

29-09-2014

Part List ID
SCR644

62

Pos	Part no.	Qty	Description	
1	56114242	1	PAD DRIVER ASM 13.75	R 6 71 DECK BRUSHES (QTY 2 EACH)
2	56114224	1	BRUSH ASM-SOFT NYLON 13.5	R 6 71 DECK BRUSHES (QTY 2 EACH)
3	56114223	1	BRUSH ASM-POLY 13.5	R 6 71 DECK BRUSHES (QTY 2 EACH)
4	56114225	1	BRUSH ASM-LITE GRIT 13.5	R 6 71 DECK BRUSHES (QTY 2 EACH)
5	56114226	1	BRUSH ASM-MEDIUM GRIT 13.5	R 6 71 DECK BRUSHES (QTY 2 EACH)
6	56114227	1	BRUSH ASM-HEAVY GRIT 13.5	R 6 71 DECK BRUSHES (QTY 2 EACH)
7	56114243	1	PAD DRIVER ASM 16.75	R 6 86 DECK BRUSHES (QTY 2 EACH)
8	56114229	1	BRUSH ASM-SOFT NYLON 16.5	R 6 86 DECK BRUSHES (QTY 2 EACH)
9	56114228	1	BRUSH ASM-POLY 16.5	R 6 86 DECK BRUSHES (QTY 2 EACH)
10	56114230	1	BRUSH ASM-LITE GRIT 16.5	R 6 86 DECK BRUSHES (QTY 2 EACH)
11	56114231	1	BRUSH ASM-MEDIUM GRIT 16.5	R 6 86 DECK BRUSHES (QTY 2 EACH)
12	56114232	1	BRUSH ASM-HEAVY GRIT 16.5	R 6 86 DECK BRUSHES (QTY 2 EACH)
13	56114241	1	PAD DRIVER ASM 12.75	R 6 100 DECK BRUSHES (QTY 3 EACH)
14	56114219	1	BRUSH ASM-SOFT NYLON 12.5	R 6 100 DECK BRUSHES (QTY 3 EACH)
15	56114218	1	BRUSH ASM-POLY 12.5	R 6 100 DECK BRUSHES (QTY 3 EACH)
16	56114220	1	BRUSH ASM-LITE GRIT 12.5	R 6 100 DECK BRUSHES (QTY 3 EACH)
17	56114221	1	BRUSH ASM-MEDIUM GRIT 12.5	R 6 100 DECK BRUSHES (QTY 3 EACH)
18	56114222	1	BRUSH ASM-HEAVY GRIT 12.5	R 6 100 DECK BRUSHES (QTY 3 EACH)

BRUSH SELECTOR GUIDE-CYLINDRICAL

We provide brushes and pad holders that will give you the best possible performance between machine and floor. Following are descriptions of the materials and their applications.

- Soft Nylon:** Least aggressive brush available. Used on soft-finish floors where a more aggressive brush would leave scratch marks, or in applications requiring very light cleaning.
- Stiff Nylon:** Cleaning action similar to polypropylene. More durable and wear-resistant than polypropylene.
- Prolene:** Low cost, yet effective in cleaning many common floor surfaces.
- MidLite Grit 180:** Least aggressive grit brush. Used for daily cleaning of hard-finished floors.
- Dyna Grit 80:** Medium aggressive grit brush. Good all-around brush for medium to heavy buildup removal. Can also be used for general stripping operations.
- Magna Grit 46:** Most aggressive grit brush. Used primarily to clean heavy buildup on concrete floors in factories, or for heavy stripping of finish.

CYLINDRICAL BRUSHES

- 56412191 - Soft Nylon
- 56412192 - Hard Nylon
- 56412046 - Prolene
- 56412193 - MidLite Grit 180
- 56412194 - Dyna Grit 80
- 56412195 - Magna Grit 46

CYLINDRICAL BRUSH APPLICATION GUIDE (SUGGESTION ONLY)

Application	46 Grit	80 Grit	180 Grit	Polypro- pylene	Stiff Nylon	Soft Nylon
Stripping:						
Concrete	X	X				
Terrazzo	X	X				
Ceramic/Quarry tile		X				
Vinyl tile		X				
General Scrubbing:						
Concrete	X	X	X	X	X	
Terrazzo			X	X	X	X
Ceramic/Quarry tile			X	X	X	X
Marble			X		X	X
Vinyl tile			X	X	X	X
Raised-rubber tile			X			X

CYLINDRICAL BRUSH GUIDE-CYLINDRICAL

SCRUBTEC R6

29-09-2014

Part List ID
SCR646

64

Pos	Part no.	Qty	Description
1	56412191	1	BRUSH SOFT NYLON 28 YELLOW
2	56412192	1	BRUSH HARD NYLON 28 NATURAL
3	56412046	1	BRUSH POLYPROPYLENE 28 RED
4	56412193	1	BRUSH 180 GRIT 28-BLUE/GREY
5	56412194	1	BRUSH 80 GRIT 28 BLACK
6	56412195	1	BRUSH 46 GRIT 28 ORANG/BROWN

SQUEEGEE BLADE SELECTOR GUIDE

SCRUBTEC R6

29-09-2014

Part List ID

SCR648

65

SQUEEGEE BLADE SELECTOR GUIDE

Gum Rubber: Provides superior wiping action on tile, terrazzo, and polished floors.

Red Gum Rubber: Provides longest life on burnished or unburnished concrete floors.

Polyurethane: Oil resistance provides superior life in applications with oily floors.

SQUEEGEE BLADE APPLICATION GUIDE(SUGGESTION ONLY)

	Gum Rubber (Natural Rubber)	Red Gum Rubber (Natural Rubber)	Polyurethane/ Pentathane
Performance Traits			
Tear Strength		X	X
Abrasion Resistance		X	X
Applications			
Oil Resistant Applications			X
Appearance	Tan	Red	Translucent

SQUEEGEE BLADE SELECTOR GUIDE

SCRUBTEC R6

29-09-2014

Part List ID
SCR648

66

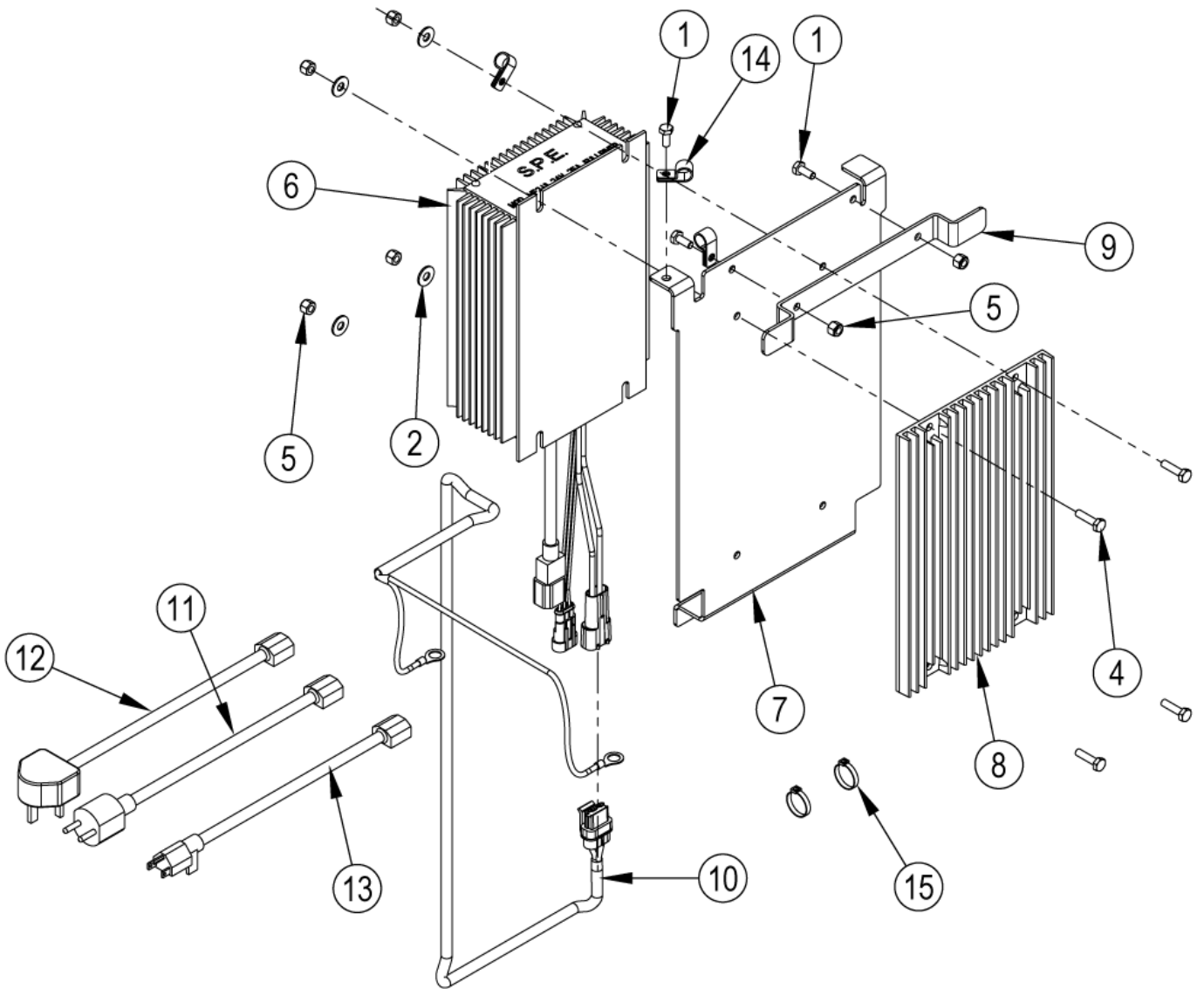
KIT-EU ON BOARD CHARGER - 56114260

SCRUBTEC R6

29-09-2014

Part List ID
IS56090108

67



KIT-EU ON BOARD CHARGER - 56114260

SCRUBTEC R6

29-09-2014

Part List ID
1S56090108

68

Pos	Part no.	Qty	Description
0	56114260	1	KIT-EU ONBOARD CHARGER
1	56001836	3	SCR HEX 1/4 20 X .62
2	56001906	4	WSH FLT STD 1/4
4	56002093	4	SCR HEX 1/4-20 X 1.00
5	56002708	6	NUT HEX NYL LOC 1/4-20
6	56112544	1	BATTERY CHARGER 24V 25A (Kit 56114182)
6	56114378	1	BATTERY CHARGER 24V 25A (Kit 56114260)
7	56383896	1	BRACKET-OBC MOUNT
8	56114183	1	HEAT SINK
9	61598A	1	BRACKET CORD WRAP
10	56114244	1	HARNESS-CHARGER
11	56383388	1	CORD-CHARGER EUROPE (Kit 56114260)
12	56383389	1	CORD-CHARGER UK (Kit 56114260)
13	56315270	1	CHARGER CORD (Kit 56114182)
14	56486112	3	CLAMP P
NS	2-00-04345	2	TY-RAP THOMAS+BETTS-TY-28M

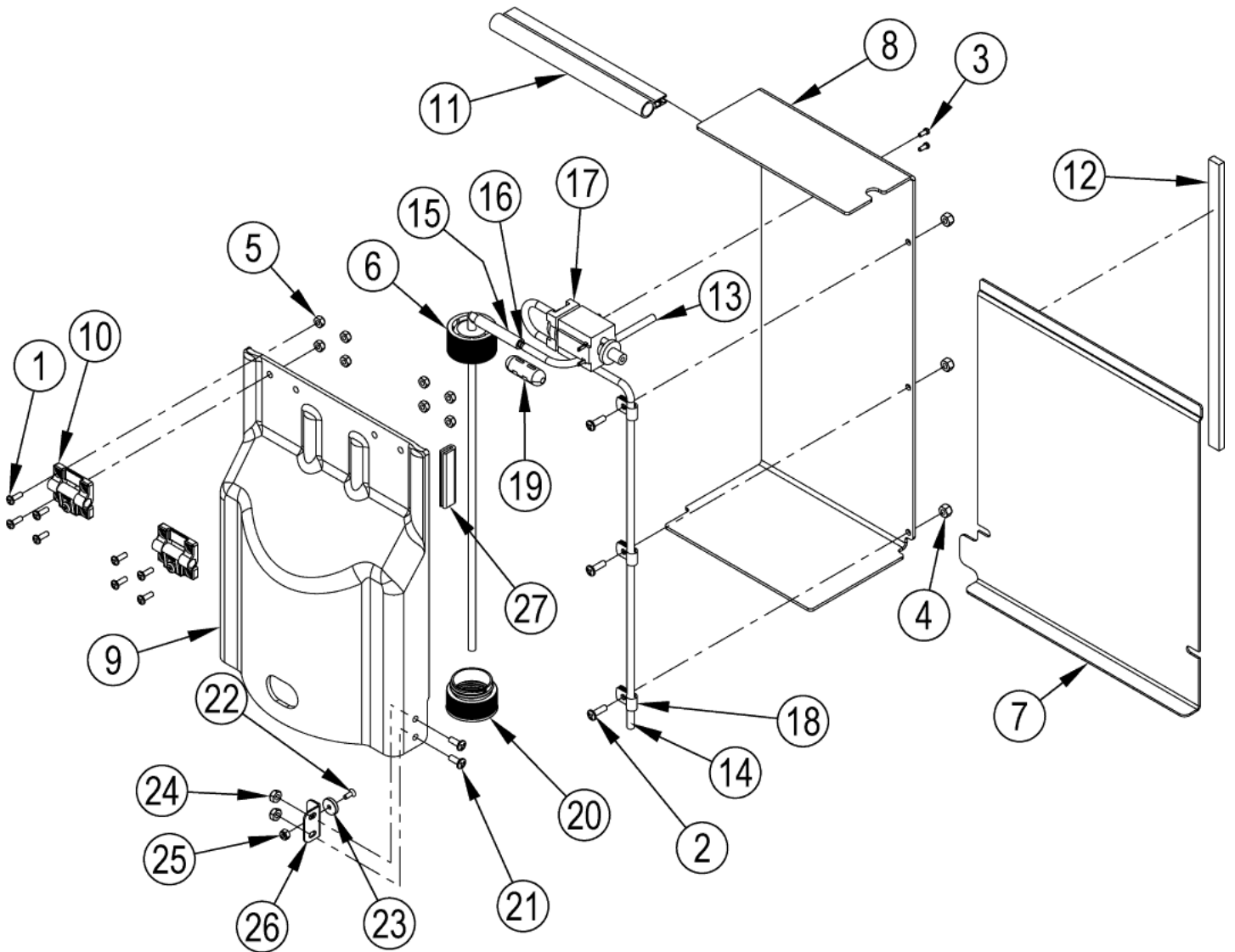
DETERGENT INJECTION KIT - 56114088

SCRUBTEC R6

29-09-2014

Part List ID
IS56090110

69



DETERGENT INJECTION KIT - 56114088

SCRUBTEC R6

29-09-2014

Part List ID
IS56090110

70

Pos	Part no.	Qty	Description
0	56114088	1	CHEMICAL INJECTION KIT
1	56002003	8	SCR PAN PHIL 8 32 X .50
2	56002124	3	SCREW10-24 X .62 PNH PH
3	56002539	2	SCR PAN PHIL TD FORM 6-32 X.31
4	56002768	3	NUT HEX NYL LOC 10-24
5	56002865	8	NUT HEX NYL LOC-THIN 8-32
6	54778A	1	ADAPTER CAP 38MM
7	56114166	1	COVER-ELECTRICAL
8	56114179	1	PLATE-BOTTLE MOUNT
9	56114187	1	CHEMICAL BOTTLE COVER
10	56114190	2	FRICTION HINGE
11	56114247	1	GASKET
12	56114252	1	GASKET-.25 X .50 X 11
13	56306169	1	HOSE CHEM RESISTANT 17.00
14	56314863	1	HOSE CHEM RESISTANT
15	56314976	1	HOSE CHEM RESISTANT
16	56314982	1	REDUCER BARB
17	56315241	1	PUMP CHEMICAL
18	56481890	3	CLAMP CABLE .250 E00129
19	56601514	1	FERRITE BEAD
20	9097023000	1	ADAPTER CHEMICAL TANK
21	56001993	2	SCREW 10-24 X 0.5 ZINC PL
22	56003870	1	SCR FLT PHIL SS 6 32 X .38
23	56344099	1	MAGNET SCREW MOUNT
24	56002832	2	NUT HEX NYL LOC-THIN 10-24
25	56002830	1	NUT HEX NYL LOC 6-32
26	56114325	1	BRACKET-MAGNET
27	56412122	1	TRIM EDGE

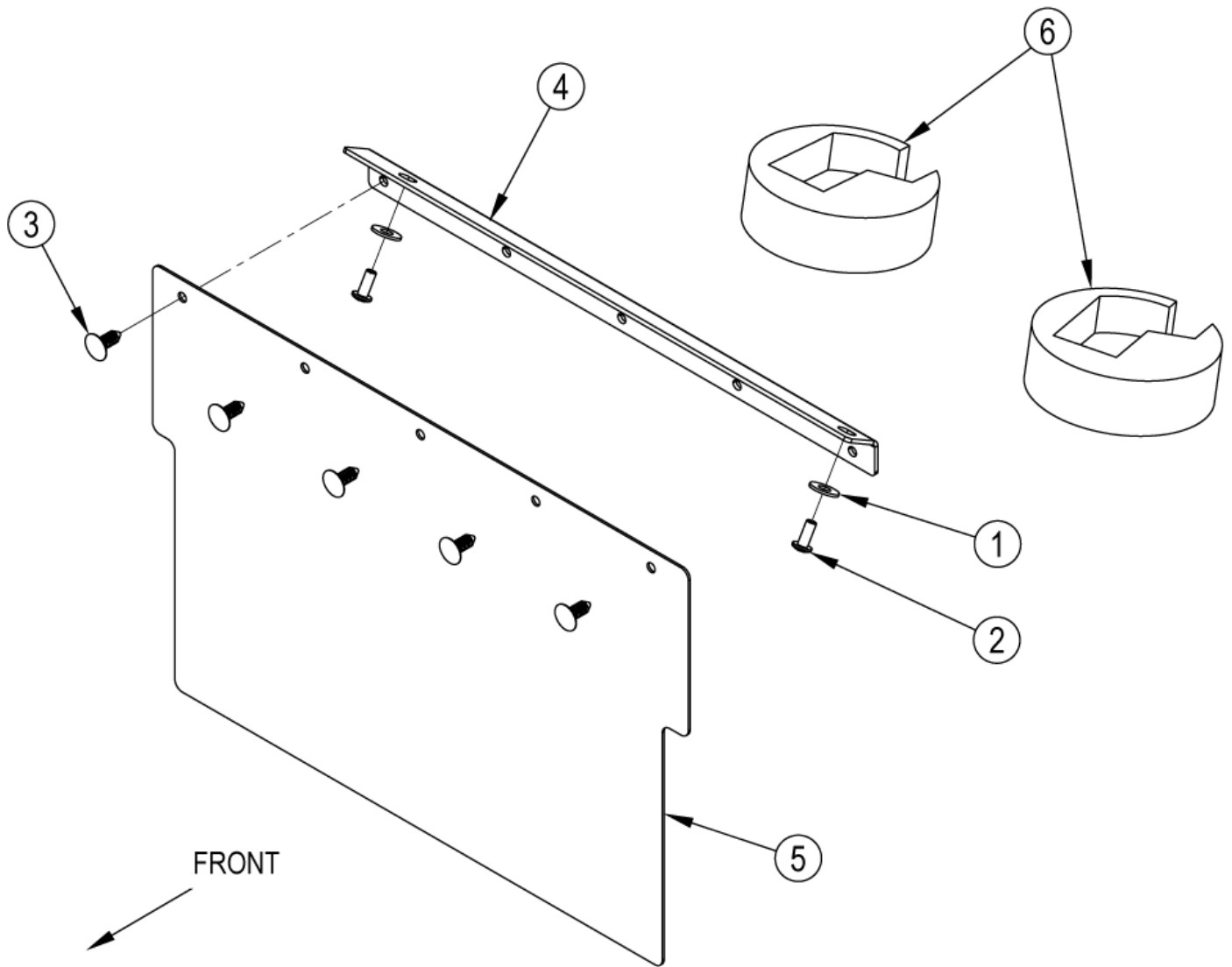
VACUUM SOUND REDUCTION KIT - 5611424

SCRUBTEC R6

29-09-2014

Part List ID
IS56090113

71



VACUUM SOUND REDUCTION KIT - 56114246

SCRUBTEC R6

29-09-2014

Part List ID
IS56090113

72

Pos	Part no.	Qty	Description
0	56114246	1	KIT-VACUUM SOUND REDUCTION
1	56001906	2	WSH FLT STD 1/4
2	56002066	2	SCR PAN PHIL 1/4-20 X .62
3	56003263	5	RIVET NYLON TREE PUSH IN.25
4	56114257	1	STRAP
5	56114258	1	CURTAIN
6	56315840	2	DUCT VAC INLET

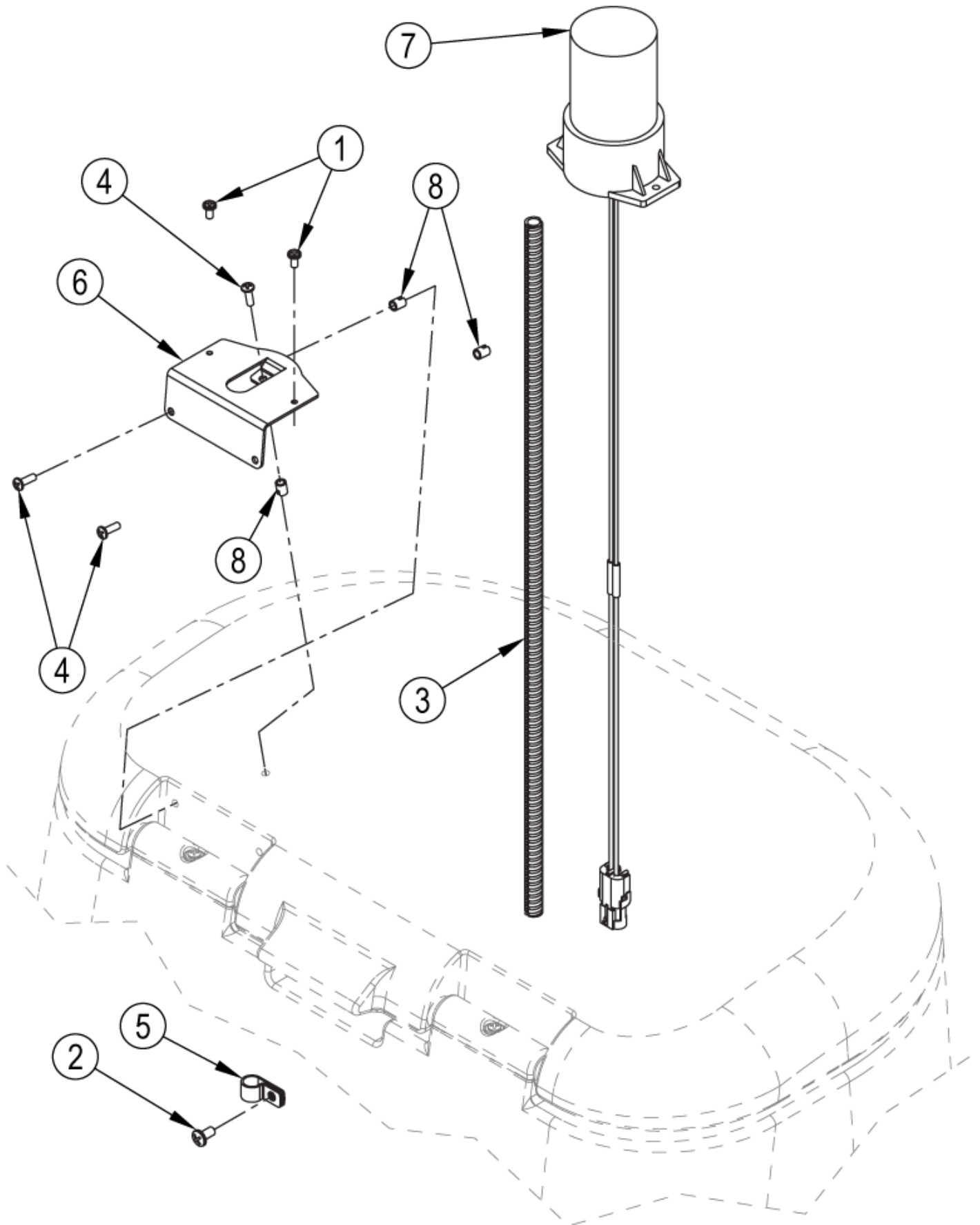
WARNING BEACON KIT - 56114253

SCRUBTEC R6

29-09-2014

Part List ID
IS56090114

73



WARNING BEACON KIT - 56114253

SCRUBTEC R6

29-09-2014

Part List ID
IS56090114

74

Pos	Part no.	Qty	Description
0	56114253	1	KIT-WARNING BEACON
1	56009030	2	SCR PAN PHIL THD FOM 10-24X.38
2	56002145	1	SCR PAN PHIL 1/4-20 X .50
3	56114270	1	CONDUIT-26 IN
4	56002896	3	SCR PAN PHIL SS 10-24 X .62
5	56486112	1	CLAMP P
6	56114254	1	BRACKET-BEACON
7	56114262	1	BEACON-WARNING
8	56249946	3	INSERT BRASS FL150S

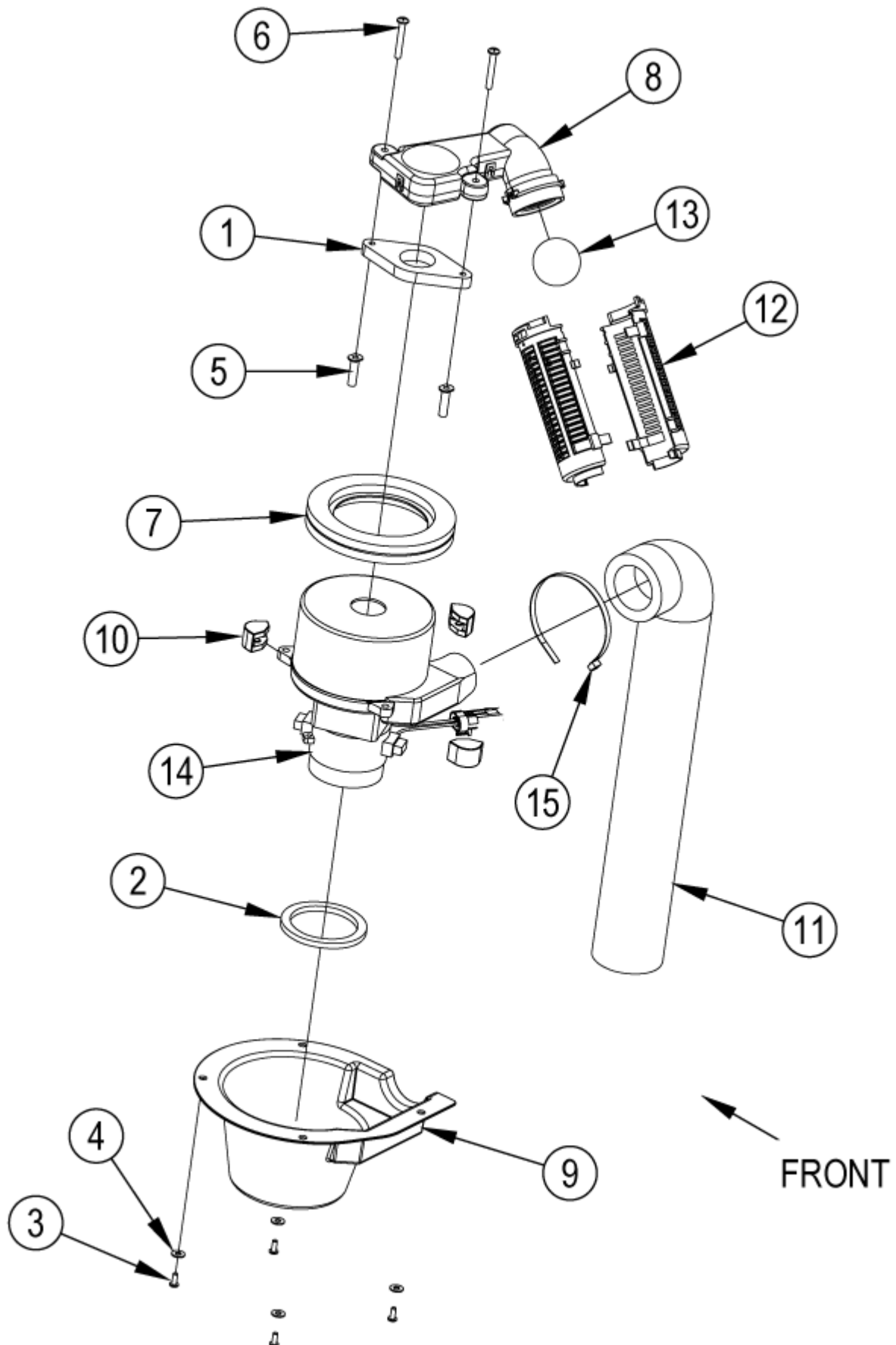
DUAL VAC MOTOR KIT - 56114245

SCRUBTEC R6

29-09-2014

Part List ID
IS56090116

75



DUAL VAC MOTOR KIT - 56114245

SCRUBTEC R6

29-09-2014

Part List ID
IS56090116

76

Pos	Part no.	Qty	Description
1	56114327	1	GASKET-AIR DUCT
2	56412154	1	GASKET VACUUM DUCT
3	56001993	4	SCREW 10-24 X 0.5 ZINC PL
4	56002053	4	WSH FLT STD 10
5	56003894	2	INSERT-JACK NUT 1/4-20 ALUM
6	56003733	2	SCR PAN PHIL SS 1/4-20 X 1.75
7	56114233	1	SEAL ASSY-VAC FAN
8	56302142	1	FLOAT DUCT
9	56315102	1	SHROUD ONE VAC MOTOR
10	56315141	3	MOUNT VIBRATION
11	56315847	1	FOAM TUBE ASSEMBLY
12	56324497	2	FLOAT CAGE
13	56391690	1	BALL FLOAT
14	56412218	1	MOTOR VAC 24VDC
15	56477613	1	CABLE TIE E00549 RE409S
16	56508740	1	INSERT TOOL

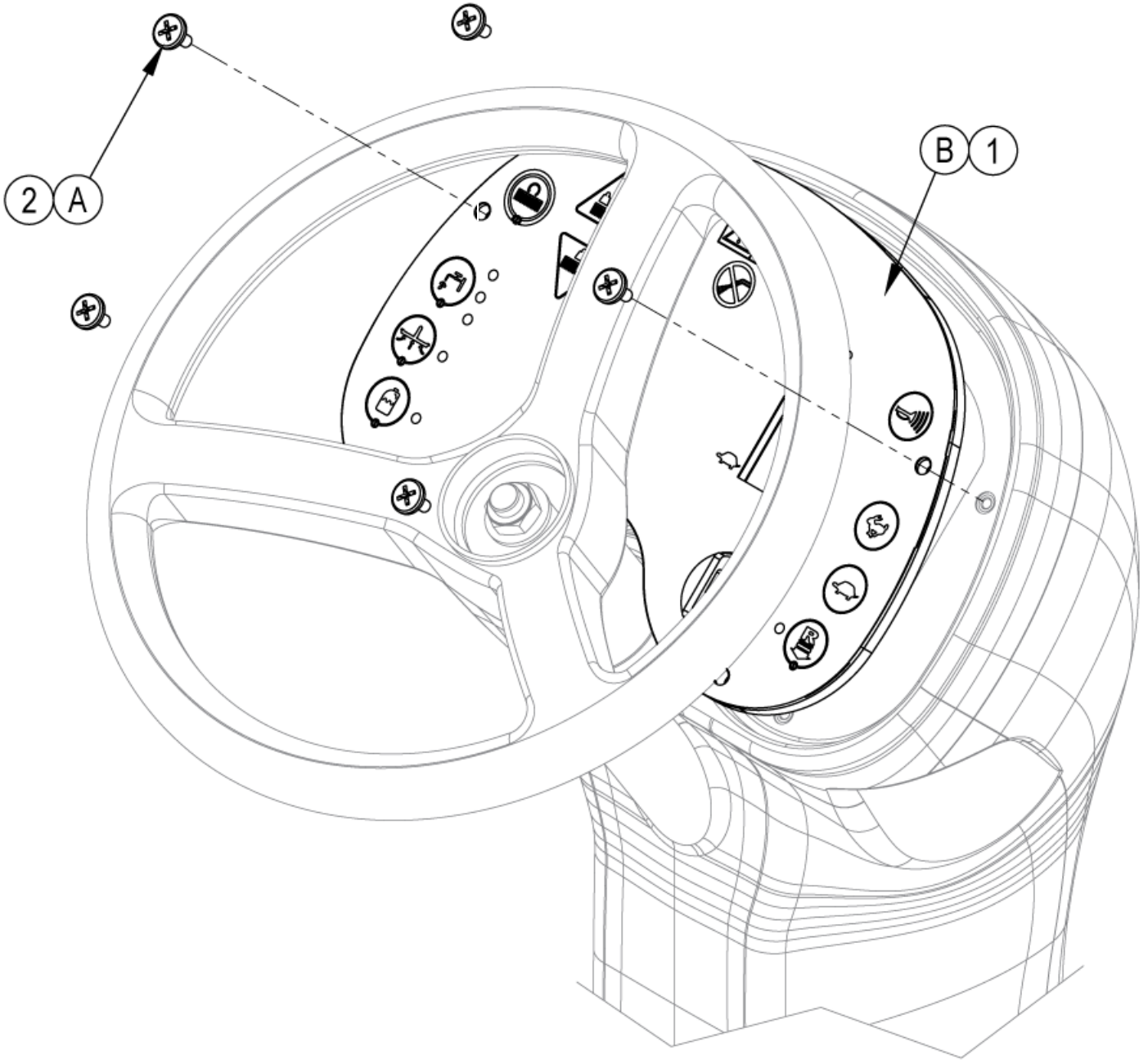
USER INTERFACE PANEL KIT - 56114299

SCRUBTEC R6

29-09-2014

Part List ID
IS56090132

77



USER INTERFACE PANEL KIT - 56114299

SCRUBTEC R6

29-09-2014

Part List ID
IS56090132

78

Pos	Part no.	Qty	Description
0	56114299	1	USER INTERFACE PANEL KIT
1		1	NOTE COMMENT User Interface Panel Assembly (not available for s
2	56009206	5	SCR TRUSS PHIL BLK 10 24X.50

RECOMMENDED SPARE PARTS

SCRUBTEC R6

29-09-2014

Part List ID

SCR699

79

No Drawing For Part List

RECOMMENDED SPARE PARTS

SCRUBTEC R6

29-09-2014

Part List ID
SCR699

80

Pos	Part no.	Qty	Description	
1	56106070	1	BEARING BALL Z22	EOM
2	56383240	1	SEAT KIT	EOM
3	56109527	1	SPINDLE	EOM
4	56112303	1	KIT-FLOAT BALL CAGE	EOM
5	56112544	1	BATTERY CHARGER 24V 25A	EOM
6	56114050	1	TANK-SOLUTION	EOM
7	56114055	1	TANK-RECOVERY	EOM
8	56114057	1	COVER-RECOVERY TANK	EOM
9	56114076	1	DECK WELDT	EOM
10	56114104	1	LEFT SKIRT ASSY-40D	EOM
11	56114105	1	RIGHT SKIRT ASSY-40D	EOM
12	56114106	1	STRAP-SKIRT	EOM
13	56114107	1	SKIRT BKT-LT-40D WELDT	EOM
14	56114108	1	SKIRT BKT-RT-40D WELDT	EOM
15	56114110	1	LEFT SKIRT ASSY-28D	EOM
16	56114111	1	RIGHT SKIRT ASSY-28-34D	EOM
17	56114112	1	STRAP	EOM
18	56114116	1	LEFT SKIRT ASSY-34D	EOM
19	56114117	1	SKIRT BKT-LT-34D WELDT	EOM
20	56114118	1	STRAP	EOM
21	56114120	1	LT SKIRT ASSY-28C	EOM
22	56114121	1	RT SKIRT ASSY-28C	EOM
23	56114123	1	RT SKIRT BKT WELDT-28C	EOM
24	56114134	1	STRAP	EOM
25	56114163	1	PANEL-ELECTRICAL	EOM
26	56114164	1	PANEL-SWITCH	EOM
27	56114168	1	DRAIN HOSE ASSY	OM
28	56114171	1	RECOVERY HOSE ASSY	OM
29	56114185	1	GASKET-RECOVERY TANK	OM
30	56114188	1	STRAP-SKIRT	EOM
31	56114191	1	STRAP-SKIRT	EOM
32	56114201	1	HARNESS-POWER	EOM
33	56114233	1	SEAL ASSY-VAC FAN	OM
34	56114234	1	SPEED CONTROLLER	EOM
35	56114252	1	GASKET-.25 X .50 X 11	OM
36	56114255	1	GASKET-.25 X .50 X 37.38	OM
37	56114256	1	GASKET-.25 X .50 X 31.50	OM
38	56114271	1	PLATE KIT-STEERING	EOM
39	56114272	1	SPINDLE KIT-MOTOR	EOM
40	56114274	1	CHAIN KIT-GROUND	EOM
41	56114275	1	HOSE KIT-DRAIN	EOM
42	56114276	1	VALVE AND FILTER KIT	OM

CLASS

W = Normal Wear

O = Ordinary Maintenance

E = Extra-Ordinary Maintenance

RECOMMENDED SPARE PARTS

SCRUBTEC R6

29-09-2014

Part List ID
SCR699

81

Pos	Part no.	Qty	Description	
43	56114277	1	SIGHT GAUGE KIT	EOM
44	56114278	1	VAC MOTOR KIT	EOM
45	56114279	1	HOSE CLAMP KIT-DRAIN	EOM
46	56114281	1	GIMBLE KIT	EOM
47	56114282	1	SHAFT KIT-HUB MOUNT	EOM
48	56114283	1	MANIFOLD KIT-SOLUTION 40	EOM
49	56114284	1	ROLLER KIT-L/R	EOM
50	56114285	1	ROLLER MOUNT KIT-RT 40	EOM
51	56114286	1	ROLLER MOUNT KIT-LT 40	EOM
52	56114287	1	BLADE KIT-FRONT 40	WEAR
53	56114288	1	LIFT KIT-DECK 40	EOM
54	56114289	1	MOTOR KIT-BRUSH	OM
55	56114290	1	HARDWARE KIT-ACTUATOR	EOM
56	56114291	1	HARDWARE KIT-MOTOR BRKT	EOM
57	56114292	1	HARDWARE KIT-SKIRT	EOM
58	56114293	1	ESTOP KIT	EOM
59	56114294	1	STANDOFF AND BREAKER KIT	EOM
60	56114295	1	PROP ROD KIT	EOM
61	56114296	1	CIRCUIT BREAKER KIT	EOM
62	56114297	1	BATTERY CABLE KIT	EOM
63	56114298	1	SHAFT KIT-UPPER STEERING	EOM
64	56114299	1	USER INTERFACE PANEL KIT	EOM
65	56114300	1	FOOT PEDAL KIT	EOM
66	56114302	1	HARDWARE KIT-STEERING COLUMN	EOM
67	56114303	1	HARWARE KIT-STEERING MOUNT	EOM
68	56114304	1	HARDWARE KIT-SEAT	EOM
69	56114306	1	MANIFOLD KIT-SOLUTION 28D	EOM
70	56114307	1	LIFT KIT-DECK	EOM
71	56114309	1	ROLLER MOUNT KIT-RT 28D	EOM
72	56114311	1	MANIFOLD KIT-SOLUTION 34	EOM
73	56114313	1	DRIVE END ASSEMBLY KIT	EOM
74	56114314	1	MOUNTING POST KIT-SIDE SKIRT	EOM
75	56114315	1	HARDWARE KIT-CYL SIDE SKIRT	OM
76	56114317	1	HOSE KIT-SOLUTION CYL	EOM
77	56114319	1	CABLE KIT-SQUEEGEE	EOM
78	56114321	1	ROLLER KIT-SQUEEGEE	EOM
79	56114324	1	MOTOR KIT-BRUSH EU	OM
80	56114327	1	GASKET-AIR DUCT	OM
81	56114337	1	SUPPORT WELDMENT	EOM
82	56114338	1	ROLLER MOUNT KIT-RT 34D	EOM
83	56114348	1	HARDWARE KIT-CHASSIS SYSTEM	EOM
84	56114349	1	HARDWARE KIT-ELEC COVER	EOM

CLASS

W = Normal Wear

O = Ordinary Maintenance

E = Extra-Ordinary Maintenance

RECOMMENDED SPARE PARTS

SCRUBTEC R6

29-09-2014

Part List ID
SCR699

82

Pos	Part no.	Qty	Description	
85	56114350	1	HARDWARE KIT-RECOVERY SYSTEM	EOM
86	56114351	1	HARDWARE KIT-ELEC SYSTEM	EOM
87	56114352	1	HARDWARE KIT-28D SCRUB SYSTEM	EOM
88	56114353	1	HARDWARE KIT-34D SCRUB SYSTEM	EOM
89	56114354	1	HARDWARE KIT-SQUEEGEE BRACKET	EOM
90	56114355	1	SIDE SKIRT KIT GUM 27.5/700	WEAR
91	56114356	1	SIDE SKIRT KIT PU 27.5/700	WEAR
92	56114358	1	SIDE SKIRT KIT RED 27.5/700	WEAR
93	56114364	1	SIDE SKIRT KIT GUM 24/610	WEAR
94	56114366	1	SIDE SKIRT KIT PU 24/610	WEAR
95	56114368	1	SIDE SKIRT KIT RED 24/610	WEAR
96	56114370	1	SIDE SKIRT KIT GUM 21/530	WEAR
97	56114372	1	SIDE SKIRT KIT PU 21/530	WEAR
98	56114374	1	SIDE SKIRT KIT RED 21/530	WEAR
99	56249682	1	TUBE E00603	EOM
100	56261265	1	TUBE E00521	EOM
101	56302142	1	FLOAT DUCT	EOM
102	56303553	1	KEY SWITCH ASSEMBLY	EOM
103	56314261	1	SKIRT BRACKET FORWARD	EOM
104	56314580	1	BALL BEARING OUTPUT SIDE	EOM
105	56316684	1	BRACKET-MOTOR GUARD	EOM
106	56315061	1	MOTOR 24VDC .5HP 1800RPM	EOM
107	56315102	1	SHROUD ONE VAC MOTOR	EOM
108	56315296	1	SOLUTION FILTER	OM
109	56315321	1	BELT AUTO TENSION	EOM
110	56315447	1	IDLER BEARING PLATE	EOM
111	56315625	1	BARB COUPLER 3/4 X 1/2	EOM
112	56344180	1	HARDWARE KIT-DECK LINKAGE	EOM
113	56344181	1	BEARING KIT-SPINDLE	EOM
114	56344183	1	BUMPER WHEEL KIT	EOM
115	56344188	1	BEARING BLOCK ASSEMBLY	EOM
116	56380149	1	KNOB - M12-1.75 THRU	EOM
117	56380529	1	CARBON-BRUSH/SET OF 2	OM
118	56382693	1	WHEEL	OM
119	56390784	1	SQUEEGEE ASSY 38 GUM	EOM
120	56114369	1	LIFT ACTUATOR ASSEMBLY	EOM
121	56396268	1	SPRING HOUSING GUIDE	EOM
122	56407303	1	KNOB	EOM
123	56407391	1	BLADE DECK GUM	OM
124	56407551	1	HUB	EOM
125	56407558	1	WASHER BEARING	EOM
126	56412071	1	COMPRESSION SPRING	EOM

CLASS

W = Normal Wear

O = Ordinary Maintenance

E = Extra-Ordinary Maintenance

RECOMMENDED SPARE PARTS

SCRUBTEC R6

29-09-2014

Part List ID
SCR699

83

Pos	Part no.	Qty	Description	
127	56412154	1	GASKET VACUUM DUCT	OM
128	56412177	1	HORN BACKUP ALARM	EOM
129	56412179	1	CONTACTOR 24 VDC	EOM
130	56412198	1	CHAIN ROLLER 2 LINKS W/CHAIN	EOM
131	56412216	1	SPRING EXTENSION	EOM
132	56412262	1	HOUSING SPRING	EOM
133	56412263	1	CAP SPINDLE	EOM
134	56412287	1	MOTOR BRUSH/SPRING KIT	OM
135	56420019	1	NUT RETAINER WLMT.	EOM
136	56420020	1	NUT RETAINER WLMT.	EOM
137	56477613	1	CABLE TIE E00549 RE409S	EOM
138	56478246	1	CABLE TIE E00549 RE438BA	EOM
139	56601050	1	MOTOR DRIVE WHEEL	EOM
140	56601064	1	SOLENOID VALVE ASSEMBLY	EOM
141	56601086	1	KIT DEBRIS TRAY	EOM
142	56601113	1	SCRUB DECK DISC CAST 28-34	EOM
143	56601147	1	ACTUATOR MOTOR 24V	EOM
144	56601172	1	CONNECTOR ASM	EOM
145	56601183	1	CONTACTOR 24V 100 AMP	EOM
146	56601248	1	BLADE FRONT 28	WEAR
147	56601278	1	SKIRT BRACKET FRONT 34	EOM
148	56601449	1	SQUEEGEE ASSEMBLY	EOM
149	56601450	1	WHEEL 4.00 OD	OM
150	56601452	1	BRUSH COVER	EOM
151	56601454	1	SQUEEGEE ASSEMBLY	EOM
152	56601470	1	COMPRESSION SPRING	EOM
153	56601471	1	TIRE	OM
154	56601472	1	TIRE WITH HUB	OM
155	56601473	1	MOTOR	EOM
156	56601507	1	PARKING BRAKE	EOM
157	56601508	1	PLASTIC COVER	EOM
158	56601509	1	CARBON BRUSH KIT	OM
159	56601512	1	HOSE	EOM
160	56601533	1	MOTOVARIO GEARBOX	EOM
161	56601534	1	CARBON BRUSH	OM
162	56601535	1	KEY	EOM
163	56601536	1	MOTOR FAN	EOM
164	56601537	1	BALL BEARING OUTPUT SIDE	EOM
165	56601578	1	KNOB	EOM
166	56601599	1	CAP-RAW WITH TETHER	EOM
167	56601750	1	BLADE KIT-FRONT 34 IN W/FAST	WEAR
168	7-82-00050	1	SWITCH SEAT	EOM

CLASS

W = Normal Wear

O = Ordinary Maintenance

E = Extra-Ordinary Maintenance