

# KSE 970

---

Model:  
KSE 970



Part List US-English

06-09-2014

# Table of Contents

KSE 970

<b>Motor. Electric parts</b>	<b>3</b>
<b>Wheels. Belt drive =&gt;31.12.2001</b>	<b>6</b>
<b>Cabinet top</b>	<b>8</b>
<b>Handle =&gt;30.11.2001</b>	<b>10</b>
<b>Roller brush</b>	<b>12</b>
<b>Dust drawer</b>	<b>14</b>
<b>Side brush</b>	<b>16</b>
<b>Wheels. Belt drive 01.01.2002=&gt;</b>	<b>18</b>
<b>Handle 01.12.2001=&gt;</b>	<b>20</b>

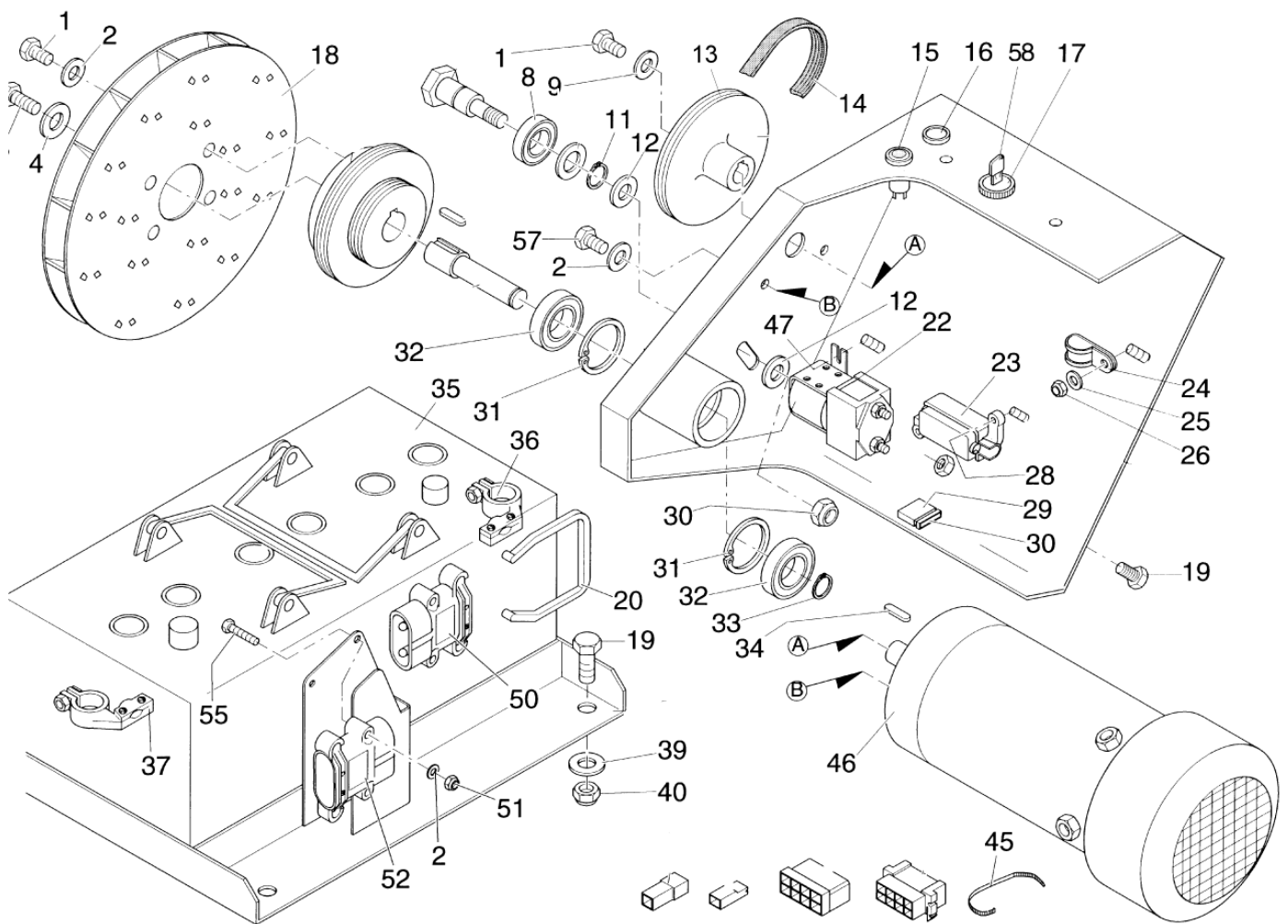
# Motor. Electric parts

KSE 970

06-09-2014

Part List ID  
KSE97001

3



# Motor. Electric parts

KSE 970

06-09-2014

Part List ID  
KSE97001

4

Pos	Part no.	Qty	Description	
1	8917	1	SCREW M6X12	
2	2764	1	WASHER 6.4X1.6	
3	2753	1	HEX. SCREW M8X20 ISO 4017 ZN	
4	2793	1	WASHER 8.4X2	
8	61486	1	GROOVE BALL BEARING 6203	
9	2766	1	WASHER 6.4X1.6	
11	7114184	1	OUTER SNAP RING Ø17	
12	4827	1	WASHER 10.5X2.5	
13	106522535	1	PULLEY KSP/KSE	
14	61487	1	BELT 3 X 572	3J X 572
14	61571	1	DRIVE BELT DIN 7867	3J X 610
15	61488	1	WARNING LAMP GREEN 12V 2W	
16	61489	1	INDICATOR LAMP RED 12	
17	61490	1	KEY SWITCH	
18	61491	1	IMPELLER	
19	6557	1	SCREW M8X16	
20	61492	1	HANDLE	
22	61493	1	MAGNETIC SWITCH 12 V	
23	61494	1	FUSE HOLDER	
23	61495	1	FUSE	
24	11654	1	HOSE CLAMP Ø11.5	
25	5166	1	WASHER 5.3X1.6	
26	7417	1	HEXAGON THIN NUT	
28	3092	1	WASHER 4.3x0.8 ISO 7089 zn	
28	50433	1	Sechskantmutter M4 DIN 985 A2	
29	11848	1	CYLINDER SCREW M3X14 ISO 1207 ZN	
29	26612	1	HEXAGON NUT M3 ISO 7042	
29	42822	1	SCREW 3.2X0.5 A 125	
29	61496	1	HOUSING	
30	61497	1	FLAT PLUG-IN FUSE 5A	
31	44943	1	RING	
32	44940	1	BEARING	
33	27279	1	SAFETY RING	
36	34489	1	BATTERY TERMINAL PLUS RIG	
37	34490	1	BATTERY TERMINAL MINUS LE	
39	2762	1	WASHER 8.4X1.6	
40	1800515	1	Lock Nut M8 - 8 A2K DIN 985	
45	4059	1	CABLE STRAP 3.6X1.1X110	
46	61498	1	MOTOR 500W 12V	
46	61499	1	CARBON BRUSH	
47	5166	1	WASHER 5.3X1.6	
47	7417	1	HEXAGON THIN NUT	
50	61500	1	PLUG	

# Motor. Electric parts

KSE 970

06-09-2014

Part List ID  
KSE97001

5

Pos	Part no.	Qty	Description	
51	11619	1	Lock Nut M6 - 8 A2K DIN985	
52	61501	1	PLUG BOX 80 A KPL. KSE 770 OR 970	
53	28139	1	ROPE D3X530	
54	2806	1	HEX. SCREW M6X25 ISO 4017 ZN	
55	3285	1	HEX. SCREW M6X35 ISO 4017 ZN	
56	3136	1	HEXAGON NUT M6	
57	2754	1	HEX. SCREW M6X16 ISO 4017 ST 8.8/ZN	
58	62242	1	KEY	
98	61196	1	CHARGER 12V 12AMPS	WITHOUT ILLUSTRATION
99	61197	1	LOW BATTERY INDICATOR	WITHOUT ILLUSTRATION

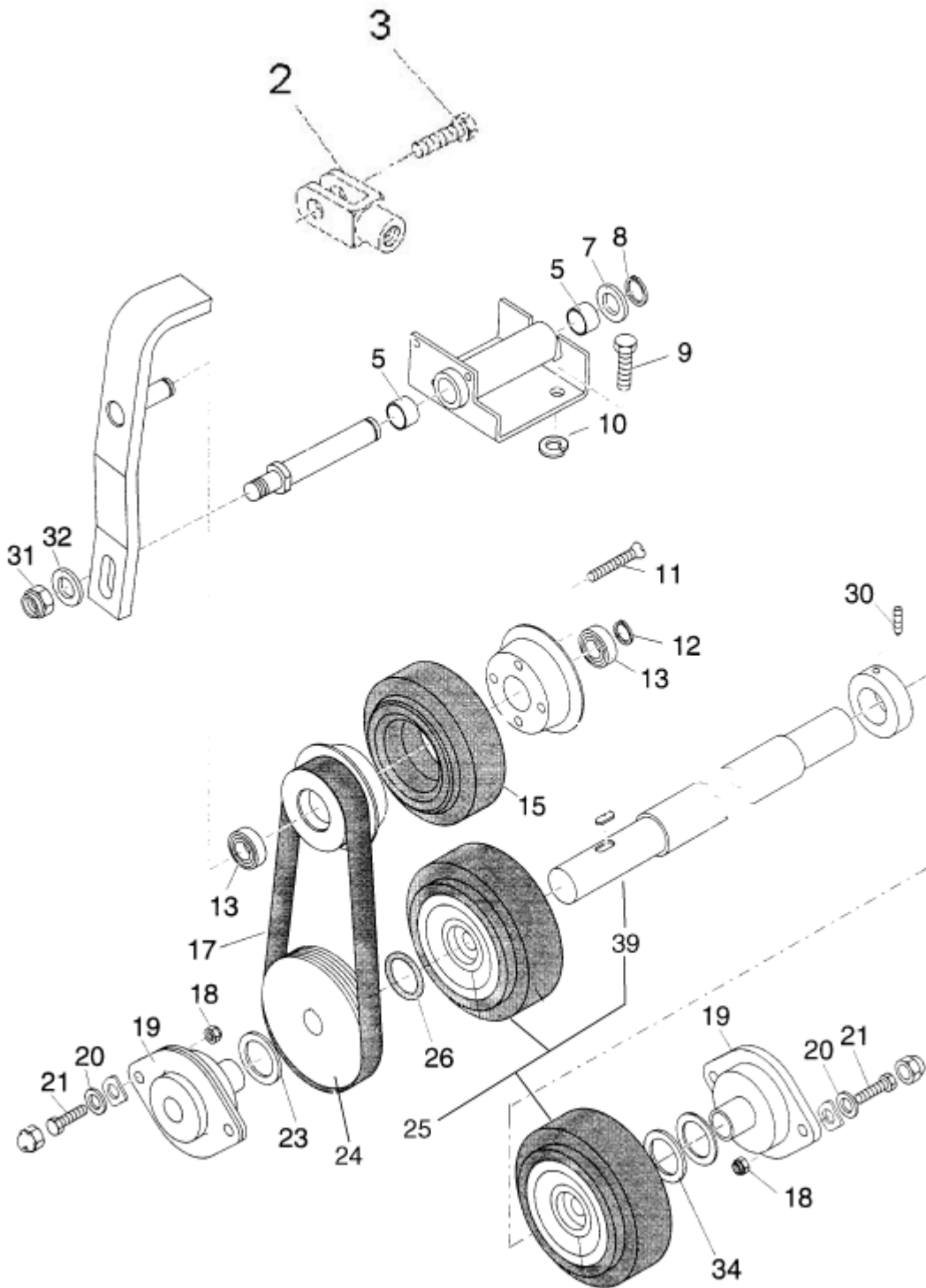
# Wheels. Belt drive =>31.12.2001

KSE 970

06-09-2014

Part List ID  
KSE97002

6



# Wheels. Belt drive =>31.12.2001

KSE 970

06-09-2014

Part List ID  
KSE97002

7

Pos	Part no.	Qty	Description
2	909100068	1	FORK HEAD
3	3285	1	HEX. SCREW M6X35 ISO 4017 ZN
8	27279	1	SAFETY RING
9	6557	1	SCREW M8X16
10	2770	1	LOCK WASHER 8
11	8947	1	COUNTERSUNK SCREW
12	23483	1	SAFETY RING D12X1 DIN 471
13	20938	1	BEARING WAS 2809
15	61510	1	TYRE Ø124X36 FOR DRIVE
17	61511	1	BELT
18	11619	1	Lock Nut M6 - 8 A2K DIN985
19	61512	1	BEARING UNIT EB Y 203 DIN
20	2764	1	WASHER 6.4X1.6
21	2754	1	HEX. SCREW M6X16 ISO 4017 ST 8.8/ZN
23	24191	1	WASHER M17X3 ISO 7090 ST/ZN
24	303000416	1	BELT PULLEY Ø91X20 KSE
25	303000255	1	CONVERSION SET WHEEL KSE/
26	56523	1	O-RING 20.0X1.5 NBR70
30	22369	1	HEXAGON SOCKET SET SCREW
31	40018	1	NUT 6KT- M12 985 ZN
32	2768	1	WASHER 13X2.5 ISO 7090 ZN
34	4109	1	WASHER M17X2.5X28 ISO 7092 ZN
39	303000197	1	WHEEL HANDLEBAR Ø20X660

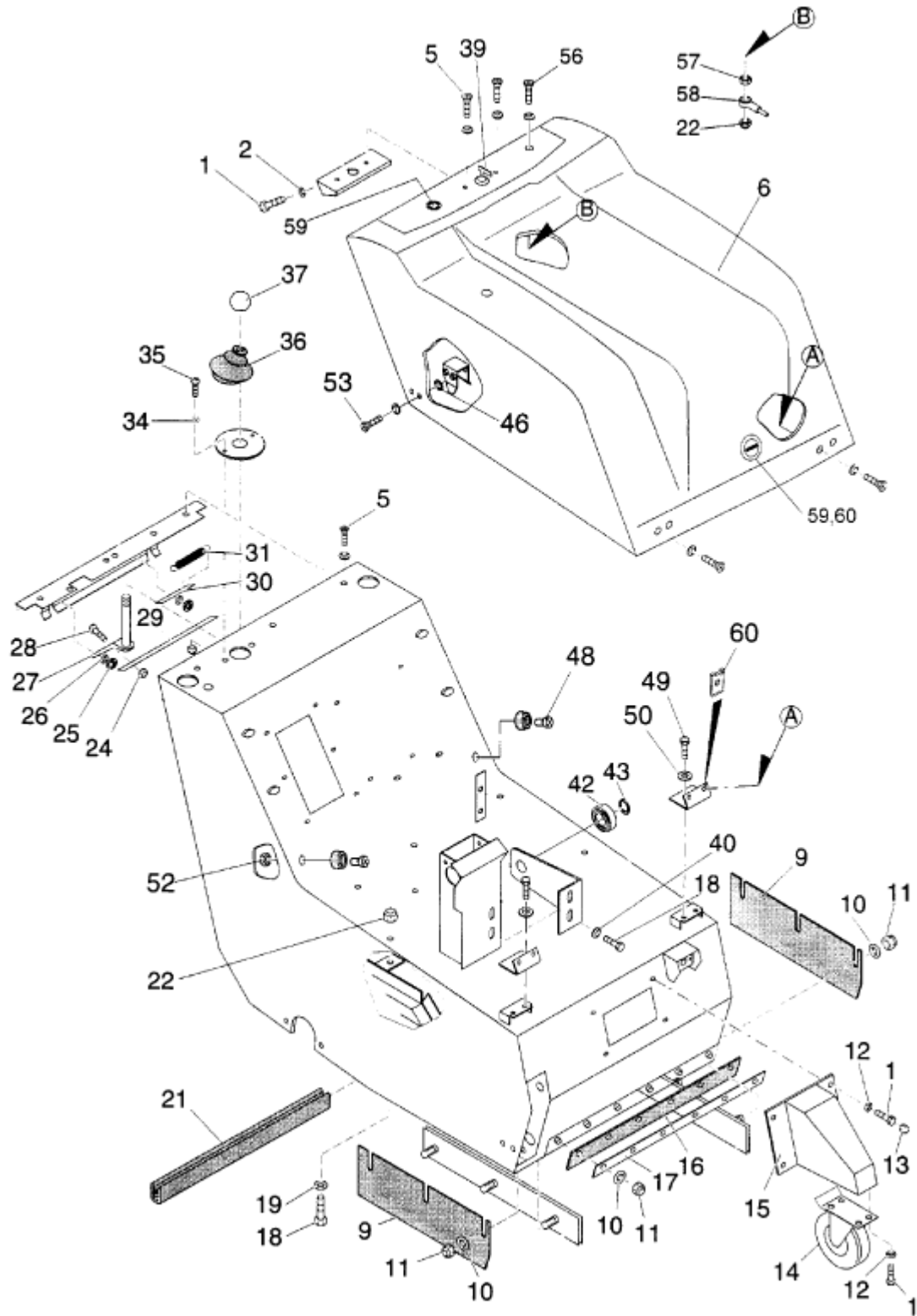
# Cabinet top

KSE 970

06-09-2014

Part List ID  
KSE97003

8





# Cabinet top

## KSE 970

06-09-2014

Part List ID  
KSE97003

9

Pos	Part no.	Qty	Description	
1	6557	1	SCREW M8X16	
2	2762	1	WASHER 8.4X1.6	
5	8946	1	COUNTERSUNK SCREW M6X16 ISO 7046 ZN	
6	67092	1	COVER KSE 970 BLUE COL.10	
9	61538	1	RUBBER LIPS	
10	2763	1	WASHER 5.3X1	
11	6629	1	CAP NUT M5 DIN 1587	
12	2770	1	LOCK WASHER 8	
13	29993	1	CAP	
14	61542	1	GUIDE ROLLER	
16	61655	1	RUBBER LIPS	
17	61653	1	CLAMP SEAL FOR SUCTION RAIL	
18	2754	1	HEX. SCREW M6X16 ISO 4017 ST 8.8/ZN	
19	2764	1	WASHER 6.4X1.6	
21	61654	1	RUBBER LIPS	
22	11619	1	Lock Nut M6 - 8 A2K DIN985	
24	2760	1	NUT M5 ISO 4032 ZN	
25	1800515	1	Lock Nut M8 - 8 A2K DIN 985	
26	2762	1	WASHER 8.4X1.6	
27	61543	1	LOCKING LEVER	
28	7473	1	HEX. SCREW M5X12 ISO 4017 VA	
31	61548	1	TENSION SPRING	
34	3092	1	WASHER 4.3x0.8 ISO 7089 zn	
35	46269	1	PAN HEAD SCREW M4X10 ISO 7045 ZN	
36	61546	1	FOLD FITTING Ø67X40 KSE/P 7	
37	61528	1	SPHERICAL HANDLE Ø32 C M	
39	61490	1	KEY SWITCH	
40	2766	1	WASHER 6.4X1.6	
42	61486	1	GROOVE BALL BEARING 6203	
43	27180	1	RETAINING RING FOR SHAFT	
46	5166	1	WASHER 5.3X1.6	
49	7473	1	HEX. SCREW M5X12 ISO 4017 VA	
50	2763	1	WASHER 5.3X1	
52	2760	1	NUT M5 ISO 4032 ZN	
53	8949	1	COUNTERSUNK SCREW M5X20 ISO 7047 ZN	
56	8947	1	COUNTERSUNK SCREW	
57	3136	1	HEXAGON NUT M6	
58	28139	1	ROPE D3X530	
59	62596	1	SHEET METAL 1.5X80X40.5X2	WITHOUT ILLUSTRATION
60	62597	1	SWIVEL LOCK	WITHOUT ILLUSTRATION

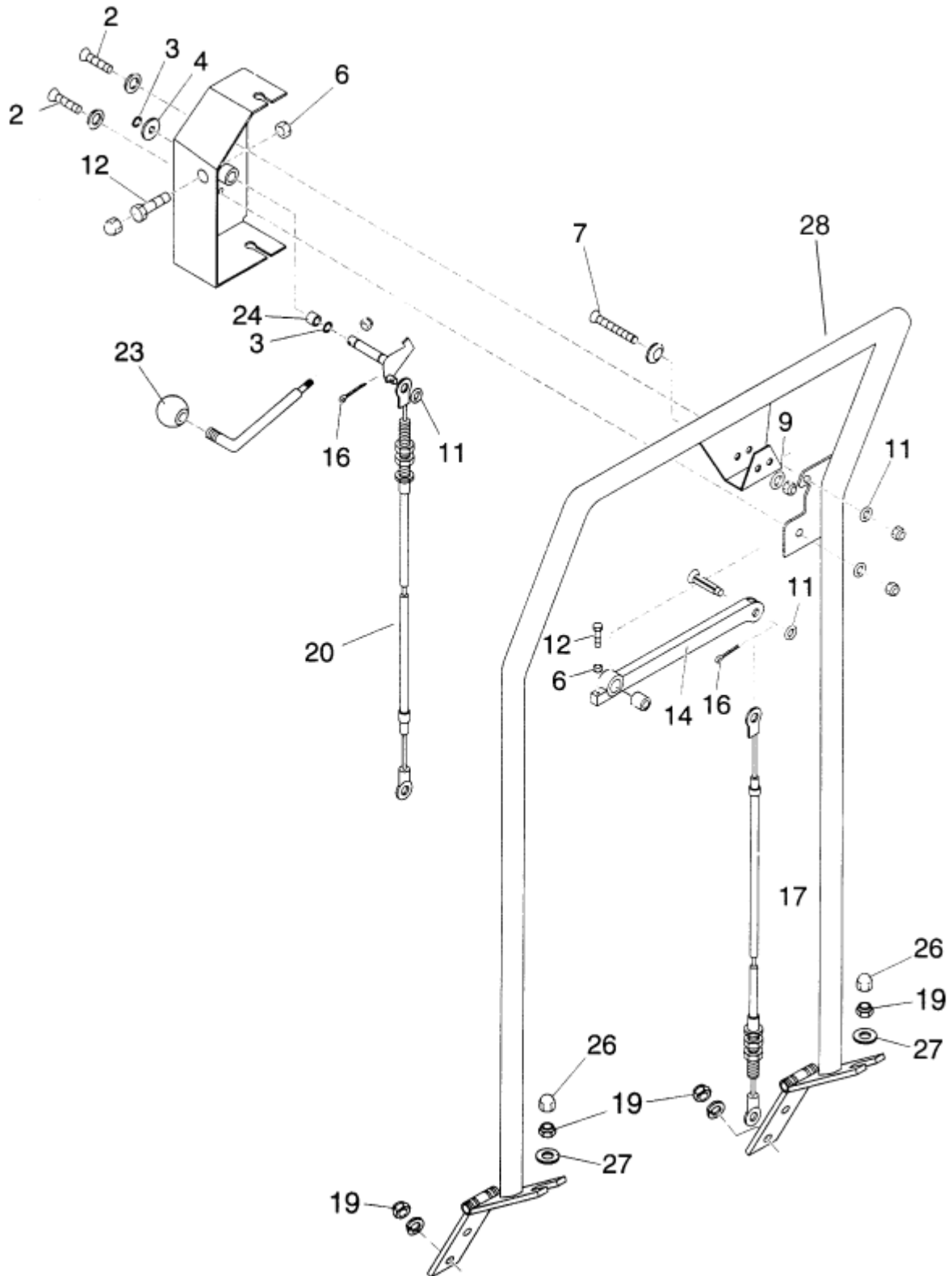
Handle =>30.11.2001

KSE 970

06-09-2014

Part List ID  
KSE97004

10



# Handle =>30.11.2001

## KSE 970

06-09-2014

Part List ID  
KSE97004

11

Pos	Part no.	Qty	Description
3	23483	1	SAFETY RING D12X1 DIN 471
4	2768	1	WASHER 13X2.5 ISO 7090 ZN
6	3136	1	HEXAGON NUT M6
7	17737	1	SCREW M6X40 ISO 7046
9	2766	1	WASHER 6.4X1.6
11	2764	1	WASHER 6.4X1.6
12	3285	1	HEX. SCREW M6X35 ISO 4017 ZN
14	61514	1	HEBEL F. FAHRANTRIEB KSE-
17	61516	1	BOWDEN CABLE
19	1800515	1	Lock Nut M8 - 8 A2K DIN 985
20	61517	1	BOWDEN CABLE
23	61528	1	SPHERICAL HANDLE Ø32 C M
26	29993	1	CAP
27	2793	1	WASHER 8.4X2
28	303000524	1	REBUILD KIT HANDLE

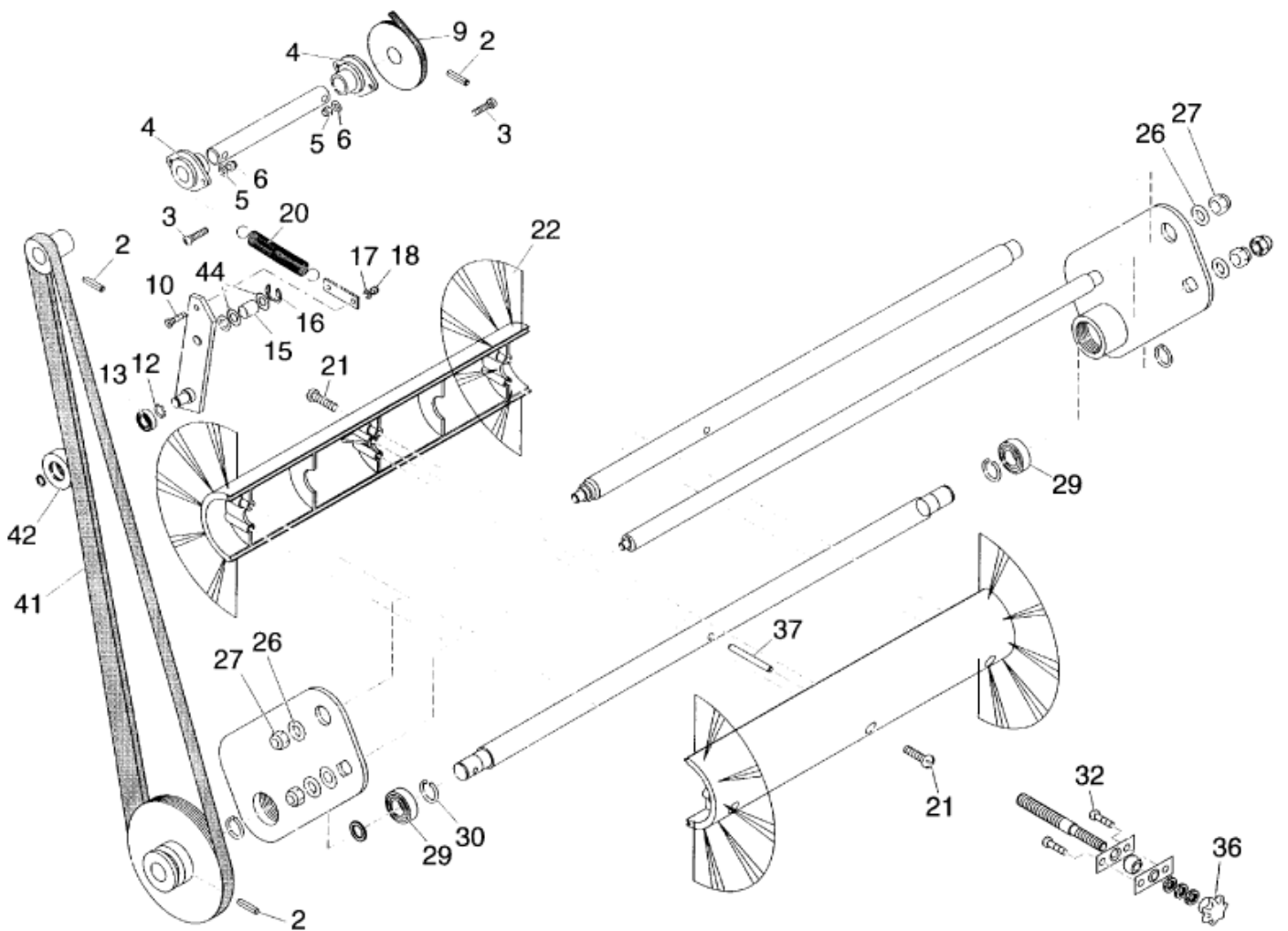
# Roller brush

KSE 970

06-09-2014

Part List ID  
KSE97005

12



# Roller brush

KSE 970

06-09-2014

Part List ID  
KSE97005

13

Pos	Part no.	Qty	Description
2	61519	1	SPRING-TYPE STRAIGHT PIN
3	8884	1	FLAT HEAD SCREW M6X16 DIN 603 ZN
4	61512	1	BEARING UNIT EB Y 203 DIN
5	2764	1	WASHER 6.4X1.6
6	11619	1	Lock Nut M6 - 8 A2K DIN985
9	61487	1	BELT 3 X 572 3J X 572
9	61571	1	DRIVE BELT DIN 7867 3J X 610
10	46349	1	COUNTERSUNK SCREW M5X16
12	44943	1	RING
13	44938	1	BEARING
15	61520	1	SLEEVE D10XD12X15
16	8782	1	LOCK WASHER Ø8 DIN 6799 ST
17	2763	1	WASHER 5.3X1
18	7417	1	HEXAGON THIN NUT
20	61548	1	TENSION SPRING
21	43341	1	SCREW 5X30
22	61480	1	ROLLER BRUSH COMPLETE, WITH POS. 21 + 37
26	2762	1	WASHER 8.4X1.6
27	1800515	1	Lock Nut M8 - 8 A2K DIN 985
29	61486	1	GROOVE BALL BEARING 6203
30	22331	1	640CLIP FOR BORES
32	7473	1	HEX SCREW M5X12 ISO 4017 VA
36	6452	1	STAR KNOB M8 DIN 6339
37	53610	1	PIN Ø 6X53
41	61521	1	BELT
41	63964	1	PULLEY. V-RIBBED BELT DIN PULLEY FOR BELT ITEM 61521
42	61522	1	TENSION ROLL
44	27145	1	SHIM RING AND SUPPORTING

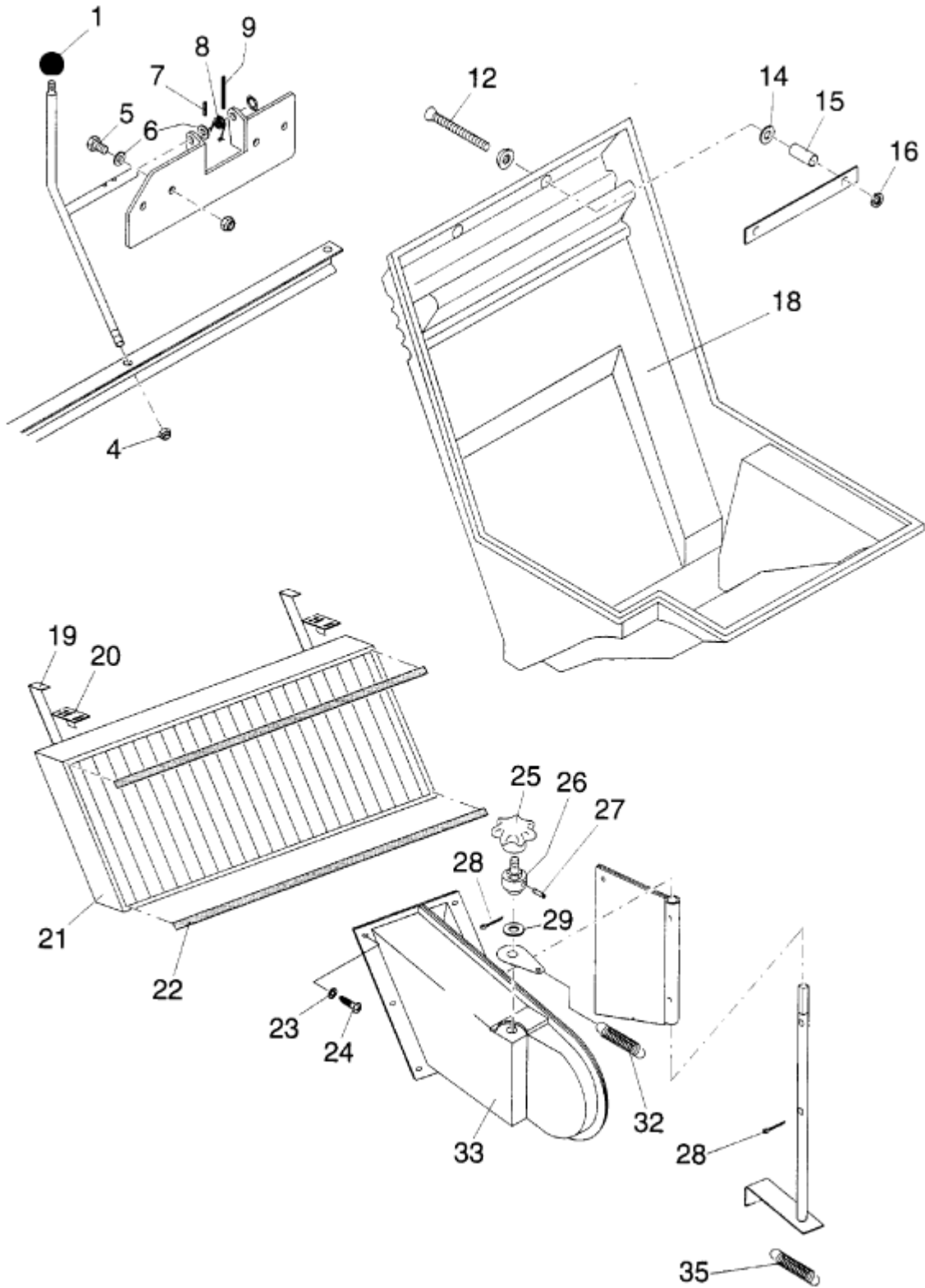
# Dust drawer

KSE 970

06-09-2014

Part List ID  
KSE97006

14



# Dust drawer

KSE 970

06-09-2014

Part List ID  
KSE97006

15

Pos	Part no.	Qty	Description
1	61528	1	SPHERICAL HANDLE Ø32 C M
4	11619	1	Lock Nut M6 - 8 A2K DIN985
5	2750	1	HEX. SCREW M8X25 ISO 4017 ZN
6	2762	1	WASHER 8.4X1.6
7	40091	1	ADAPTOR SLEEVE 4X18 DIN 1
8	61554	1	TORSION SPRING 1.5X14X30
9	61529	1	SPRING-TYPE STRAIGHT PIN
12	8948	1	COUNTERSUNK SCREW M6X45 ISO 7046 ZN
14	2766	1	WASHER 6.4X1.6
15	61530	1	DIVIDER
16	3136	1	HEXAGON NUT M6
18	67088	1	CONTAINMENT SHELL
19	61532	1	CLIP FOR FILTER KSE/KSP
20	61533	1	STRAP
21	61483	1	FILTER CASSETTE
22	6250	1	ADHESIVE TAPE
			PLEASE INDICATE LENGTHS IN METRES WHEN ORDERING
23	2764	1	WASHER 6.4X1.6
24	10028	1	SCREW KA50X14 WN1411
25	43286	1	STAR KNOB M8X55 DIN 6336 ST/ZN
26	61534	1	SQUARE HOLDER
29	2768	1	WASHER 13X2.5 ISO 7090 ZN
32	61547	1	TENSION SPRING
35	61547	1	TENSION SPRING

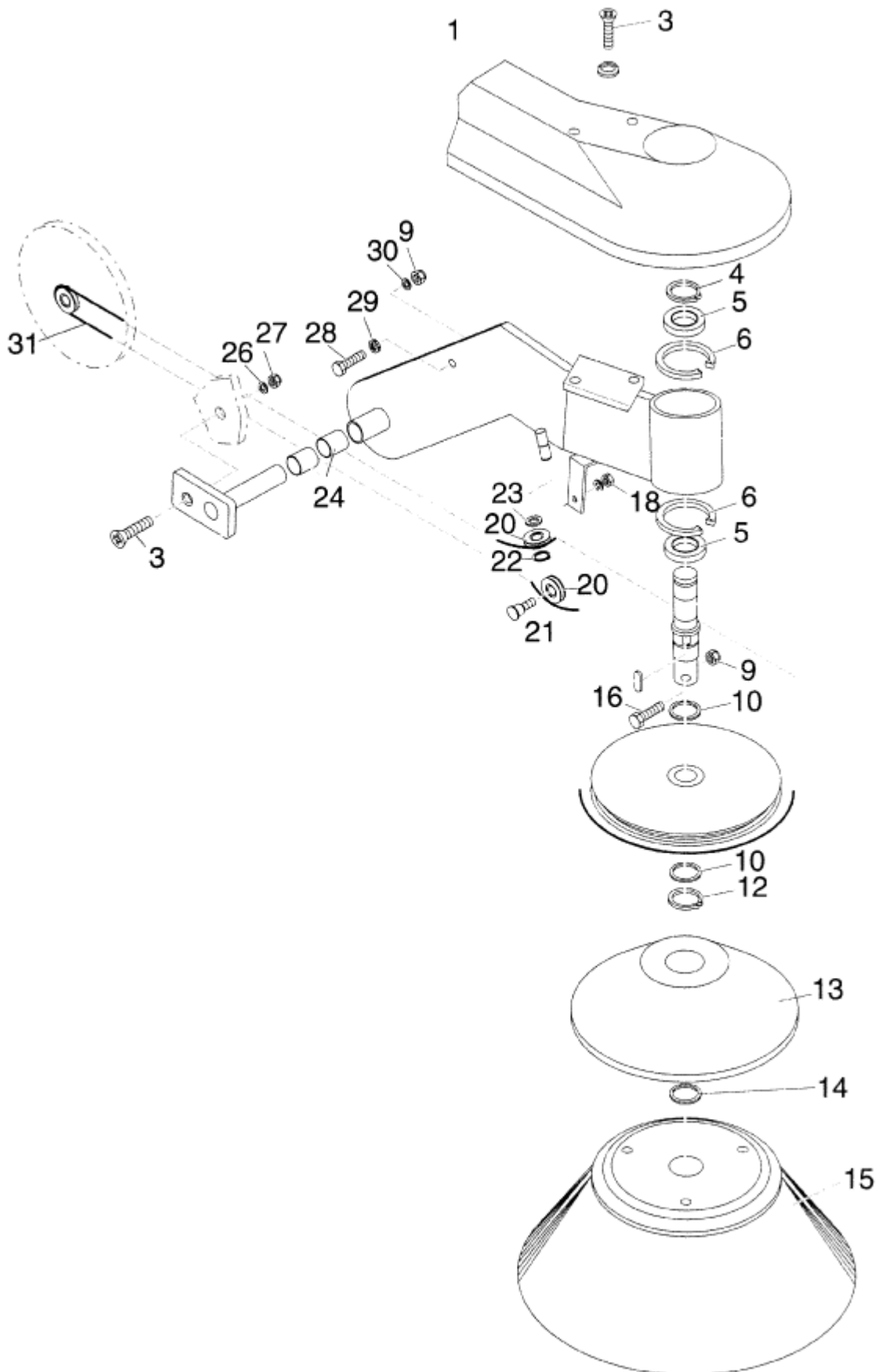
# Side brush

KSE 970

06-09-2014

Part List ID  
KSE97007

16





# Side brush

KSE 970

06-09-2014

Part List ID  
KSE97007

17

Pos	Part no.	Qty	Description
0	65737	1	BRACKET FOR KSE 970 Large bracket between pos 6 and 6
1	61523	1	COVER
3	46349	1	COUNTERSUNK SCREW M5X16
4	27279	1	SAFETY RING
5	44940	1	BEARING
6	44943	1	RING
9	11619	1	Lock Nut M6 - 8 A2K DIN985
10	60727	1	SHIM RING AND SUPPORTING
12	27180	1	RETAINING RING FOR SHAFT
13	60721	1	DEFLECTOR PLATE
14	60720	1	SHIM RING 14X20X0.5
15	303000062	1	ROPE BRAKE KSE-P 770/970
16	8918	1	HEX. SCREW M6X30 ISO 4017 ZN
18	3136	1	HEXAGON NUT M6
20	61524	1	PULLEY
21	61525	1	BEARING PIN
22	8878	1	LOCK WASHER M10X1 DIN 471 ZN
23	2767	1	WASHER 10.5 X 20 X 2
24	61520	1	SLEEVE D10XD12X15
26	2763	1	WASHER 5.3X1
27	7417	1	HEXAGON THIN NUT
28	2806	1	HEX. SCREW M6X25 ISO 4017 ZN
29	3136	1	HEXAGON NUT M6
30	2764	1	WASHER 6.4X1.6
31	61481	1	PULLEY BELT

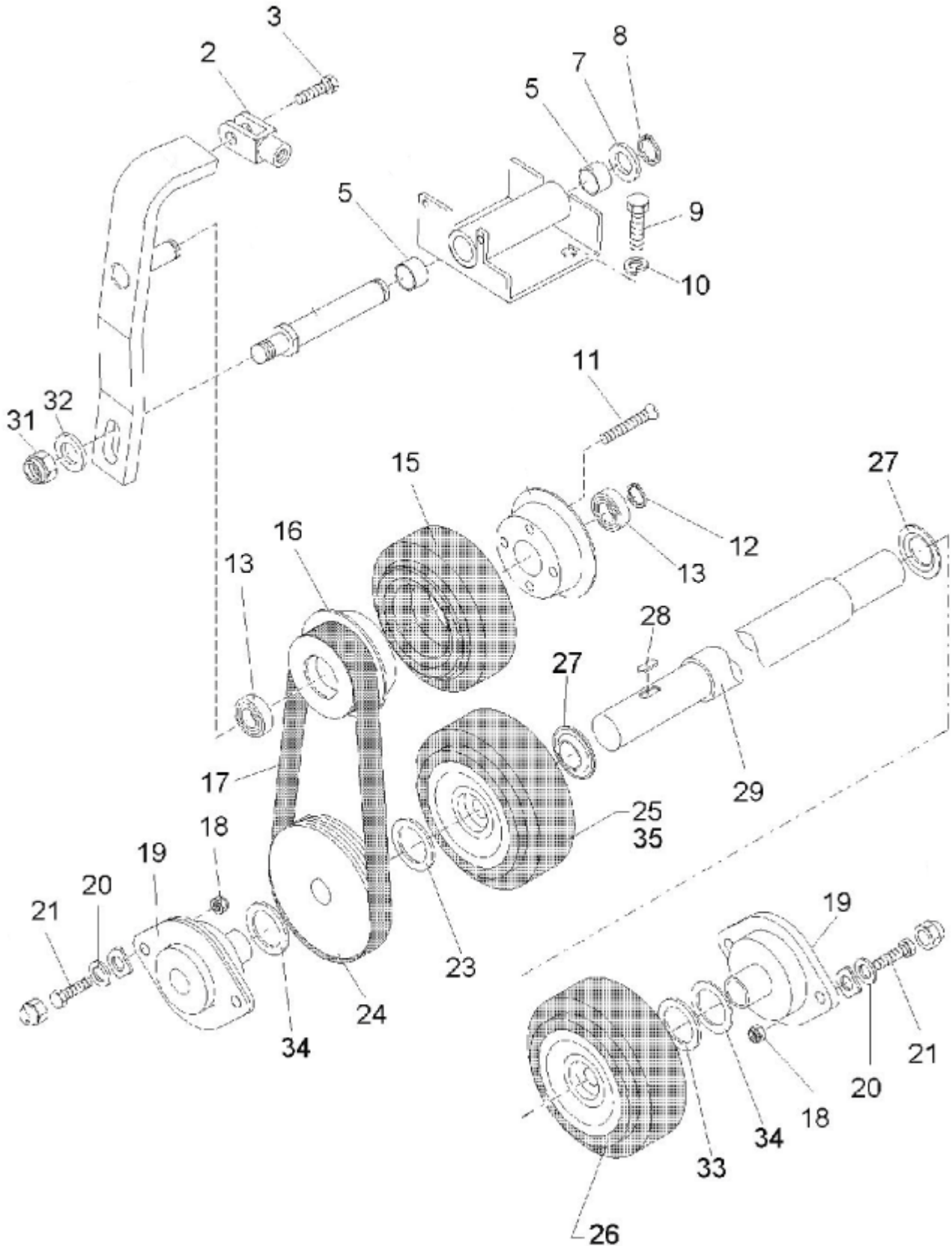
# Wheels. Belt drive 01.01.2002=>

KSE 970

06-09-2014

Part List ID  
KSE97008

18



# Wheels. Belt drive 01.01.2002=>

KSE 970

06-09-2014

Part List ID  
KSE97008

19

Pos	Part no.	Qty	Description
2	909100068	1	FORK HEAD
3	3285	1	HEX. SCREW M6X35 ISO 4017 ZN
8	27279	1	SAFETY RING
9	6557	1	SCREW M8X16
10	2770	1	LOCK WASHER 8
11	8947	1	COUNTERSUNK SCREW
12	23483	1	SAFETY RING D12X1 DIN 471
13	20938	1	BEARING WAS 2809
15	61510	1	TYRE Ø124X36 FOR DRIVE
16	106522531	1	BELT PULLEY KSP 770 970
17	61511	1	BELT
18	11619	1	Lock Nut M6 - 8 A2K DIN985
19	61512	1	BEARING UNIT EB Y 203 DIN
20	2764	1	WASHER 6.4X1.6
21	2754	1	HEX. SCREW M6X16 ISO 4017 ST 8.8/ZN
23	909100358	1	WASHER 17X24X0.5 DIN
24	303000416	1	BELT PULLEY Ø91X20 KSE
25	303000375	1	WHEEL Ø150X46 RIGHT SIDE
26	303000374	1	WHEEL Ø150X46 LEFT SIDE
27	303000378	1	WASHER 33.0X17.0X2.0 K
29	303000377	1	WHEEL AXLE Ø 20X660
31	40018	1	NUT 6KT- M12 985 ZN
32	2768	1	WASHER 13X2.5 ISO 7090 ZN
33	909100358	1	WASHER 17X24X0.5 DIN
34	24191	1	WASHER M17X3 ISO 7090 ST/ZN
35	62243	1	INNER RING IR 17X20X20

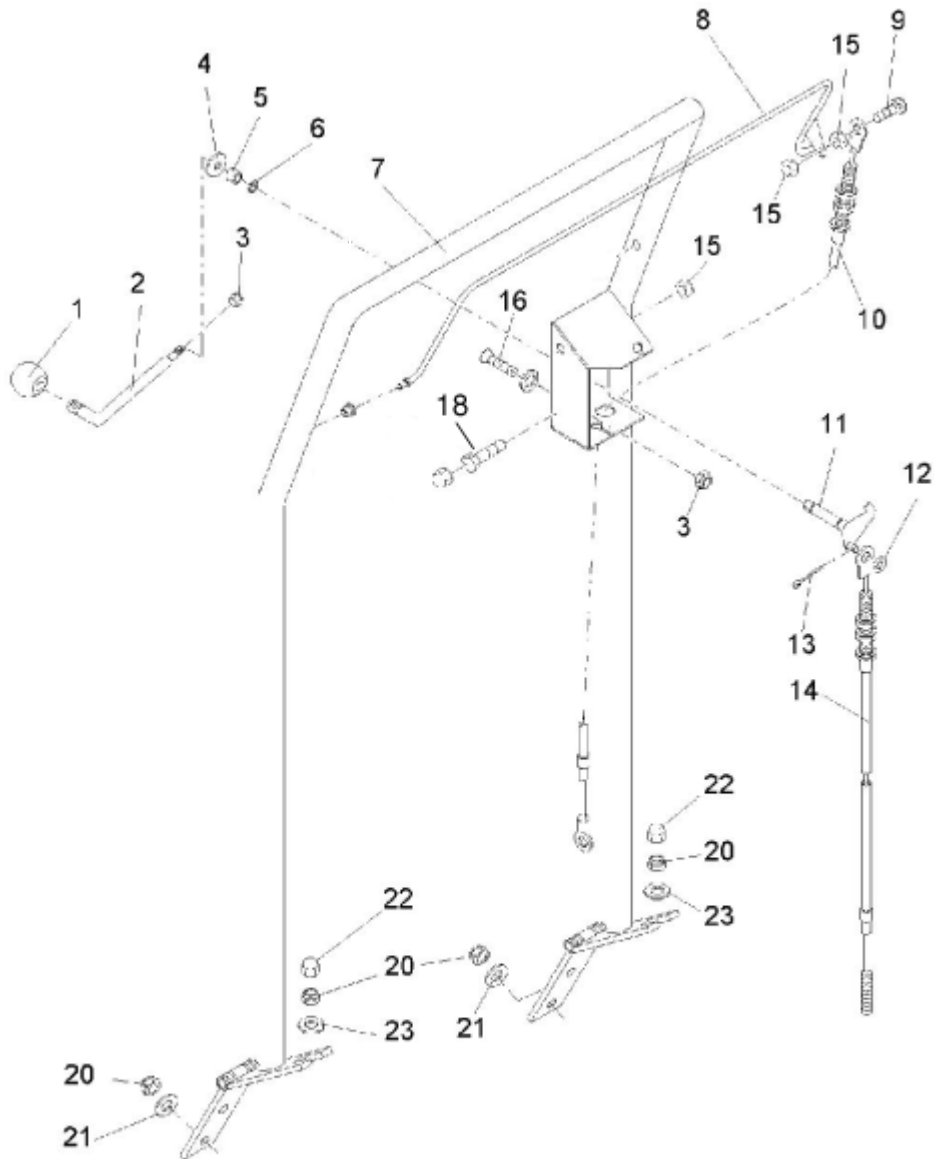
Handle 01.12.2001=>

KSE 970

06-09-2014

Part List ID  
KSE97009

20



# Handle 01.12.2001=>

## KSE 970

06-09-2014

Part List ID  
KSE97009

21

Pos	Part no.	Qty	Description
1	61528	1	SPHERICAL HANDLE Ø32 C M
2	65135	1	SHIFT LEVER
3	11619	1	Lock Nut M6 - 8 A2K DIN985
4	2768	1	WASHER 13X2.5 ISO 7090 ZN
6	23483	1	SAFETY RING D12X1 DIN 471
7	65054	1	BOW
8	65051	1	SHACKLE IF ACTUATION KSE/
9	17847	1	HEX. SCREW M6X20 ISO 4017 VA
10	303000199	1	BOWDEN CABLE Ø1.8X1510
12	2764	1	WASHER 6.4X1.6
14	61517	1	BOWDEN CABLE
15	11619	1	Lock Nut M6 - 8 A2K DIN985
16	8946	1	COUNTERSUNK SCREW M6X16 ISO 7046 ZN
18	3285	1	HEX. SCREW M6X35 ISO 4017 ZN
20	1800515	1	Lock Nut M8 - 8 A2K DIN 985
21	2762	1	WASHER 8.4X1.6
22	29993	1	CAP
23	2793	1	WASHER 8.4X2