

FLOORTEC 560P

Model:
FLOORTEC 560 P



Part List English

13-09-2014

Nilfisk
ALTO
works for you

www.nilfisk-alto.com

Table of Contents

FLOORTEC 560P

Chassis	3
Main broom	5
Side broom	7
Wheels	9
Hopper system	11
Petrol engine	13
Transmission	15
Belt tension assembly	17
Reduction motor	19
Dust control	22
Handle	24
Control panel	26
Hub assembly	28
Decals	30

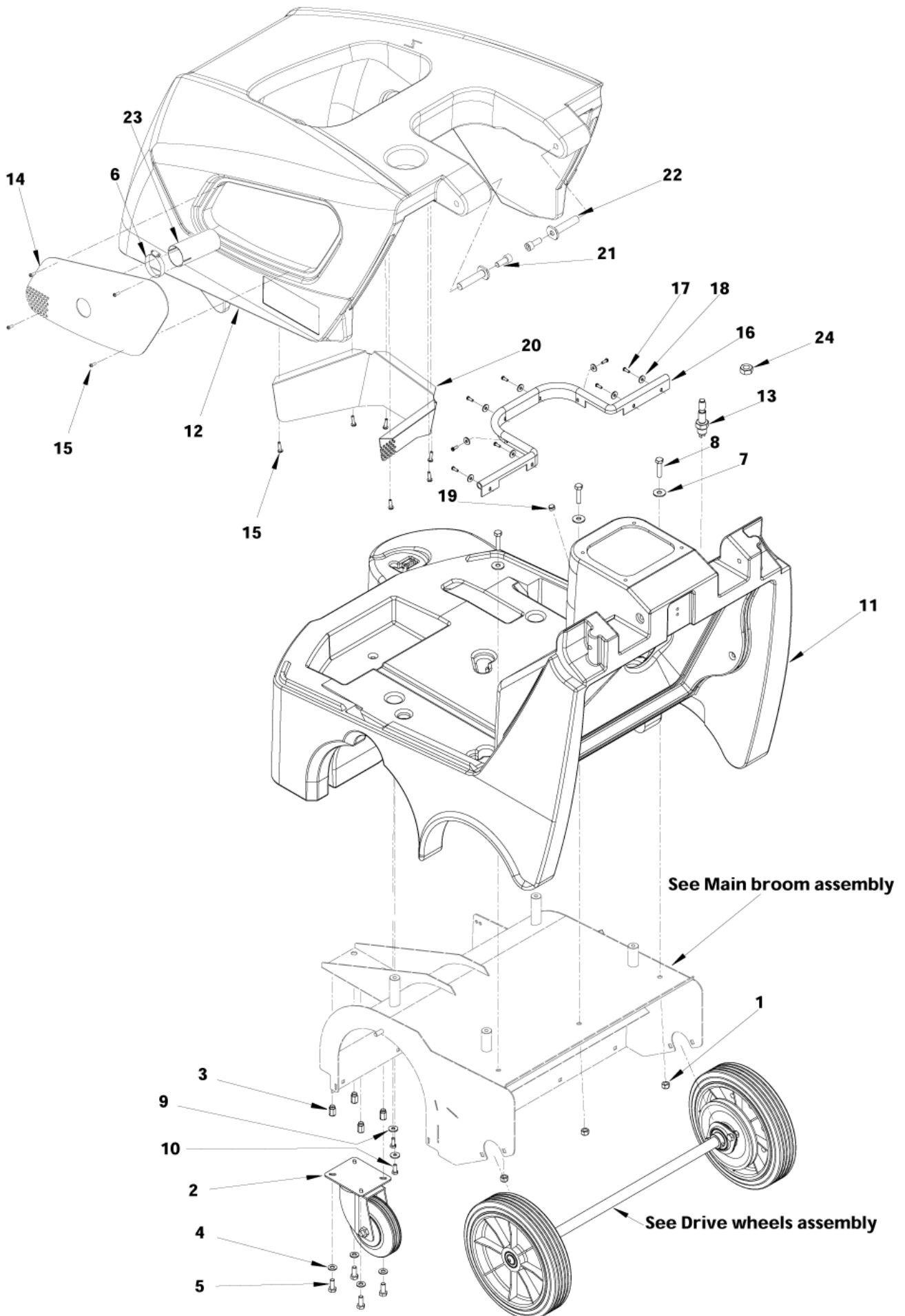
Chassis

FLOORTEC 560P

13-09-2014

Part List ID
FLOORTEC560P02

3



Chassis

FLOORTEC 560P

13-09-2014

Part List ID
FLOORTEC560P02

4

Pos	Part no.	Qty	Description
1	33005607	3	NUT SELF L. M8 UNI7474
2	145 5115 000	1	Wheel
2	146 0569 000	1	WHEEL WITH BRAKE
3	145 6133 000	4	INSERT M8
4	33005915	4	WASHER M8 UNI6592
5	33005444	4	SCREW M8X20 UNI5739 GALVANIZED
6	146 0771 000	1	Clamp
7	L08300000	3	Washer
8	33003997	3	SCREW M8X35 UNI5739
9	L08228600	2	Washer
10	33003974	2	SCREW M6X16 UNI5739
11	146 2343 000	1	CHASSIS ROTOMOLDED
12	146 2354 000	1	HOOD ROTOMOLDED.PETROL
13	146 0680 000	1	SWITCH,HOOD SAFETY
14	146 0688 000	1	GRATE OUTLET
15	L08812590	10	SCREW 4.5X19 THD FORM
16	146 0733 000	1	GASKET BONNET L.815MM
17	146 0669 000	8	SCREW 4X12
18	145 1261 000	8	plain washer 5 x 15 zn
19	145 4260 000	1	CAP D.14,7
20	146 0768 000	1	Grate
21	33004387	2	SCREW M10X25 UNI5931
22	146 0774 000	2	SPACER
23	146 0773 000	1	PIPE
24	146 0637 000	1	NUT HEX M14 UNI5589

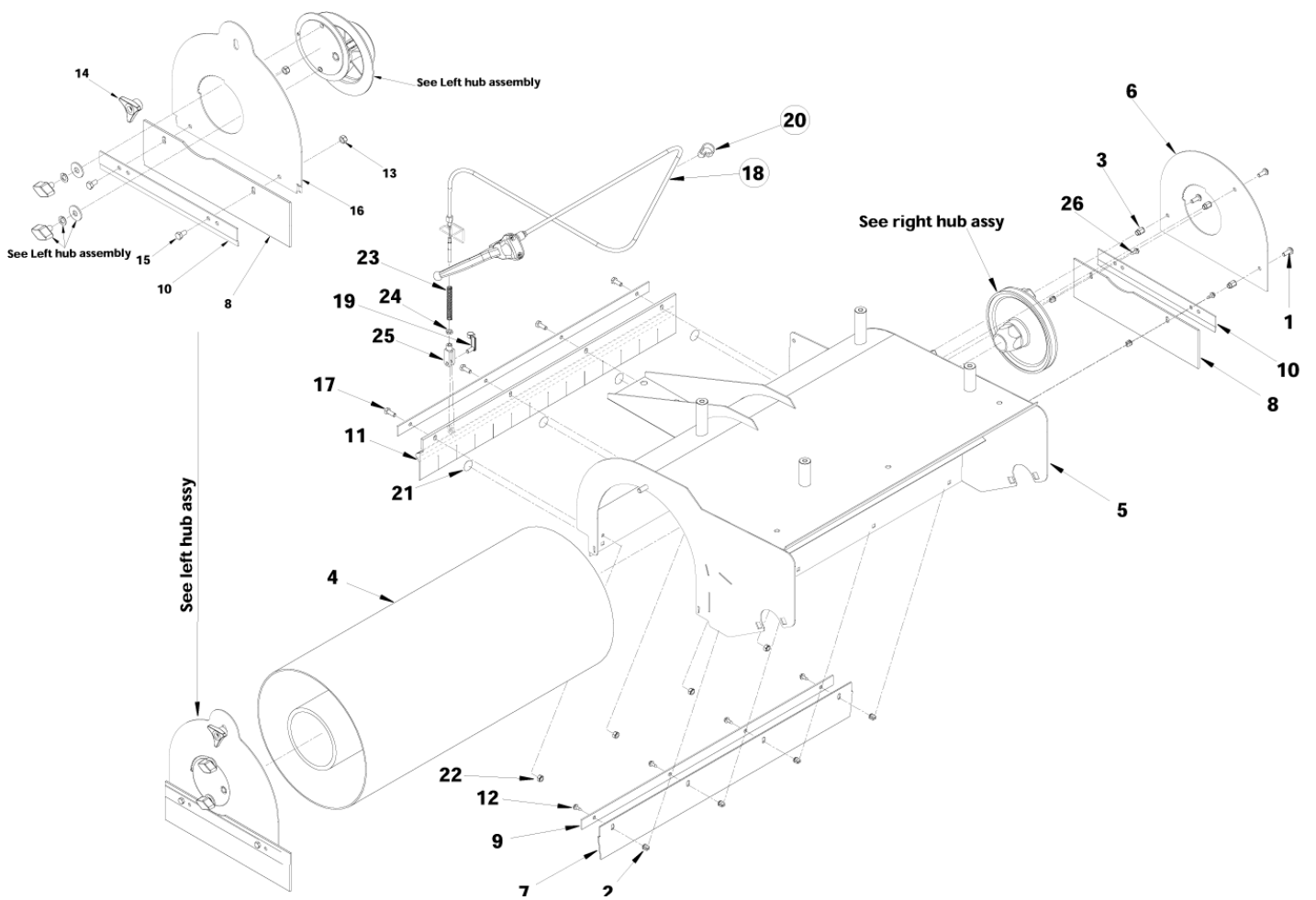
Main broom

FLOORTEC 560P

13-09-2014

Part List ID
FLOORTEC560P04

5



Main broom

FLOORTEC 560P

13-09-2014

Part List ID
FLOORTEC560P04

6

Pos	Part no.	Qty	Description	
1	L08812095	3	SCREW M6X16	
2	145 4652 000	10	main screw	
3	145 4772 000	3	INSERT M6	
4	146 0748 000	1	MAIN BROOM PPL 0,7D.265	
4	146 0749 000	1	BROOM NATURAL FIBRE 265 x 600	OPTION
4	146 0750 000	1	BROOM STEEL MIX 265	OPTION
5	146 0729 000	1	SUPPORT.MAIN BROOM	
6	146 2329 000	1	HATCH RT CLOSING MAIN BROOM SPACE BLACK	
7	146 0738 000	1	SKIRT REAR	
7	146 0743 000	1	SKIRT REAR NON MARKING	
8	146 0555 000	2	SKIRT SIDE RIGHT/LEFT STANDARD SBR BLACK RUBBER	
8	146 0587 000	2	SKIRT SIDE NON MARKING	
9	146 2344 000	2	PLATE.FRONT SKIRT	
10	146 2331 000	2	PLATE SIDE SKIRT	
11	146 0756 000	1	SKIRT FRONT	
12	145 5867 000	5	SCREW	
13	L08603682	2	Hex nut self locking SS M	
14	145 5035 000	1	KNOB	
15	33003972	2	SCREW M6X12 UNI5739	
16	146 2326 000	1	HATCH LEFT MAIN BROOM	
17	33003974	4	SCREW M6X16 UNI5739	
18	146 2310 000	1	CABLE	
19	145 9410 000	1	Circlip M 6	
20	146 0763 000	2	FIXING CABLE	
21	146 0772 000	4	DECAL ROUND	
22	33005604	4	NUT SELF L. M6 UNI7474	
23	145 1935 000	1	SPRING	
24	33005531	1	NUT HEX M6 UNI5589	
25	145 9409 000	1	Fork M 6	
26	146 2085 000	1	SCREW 3.9X13	

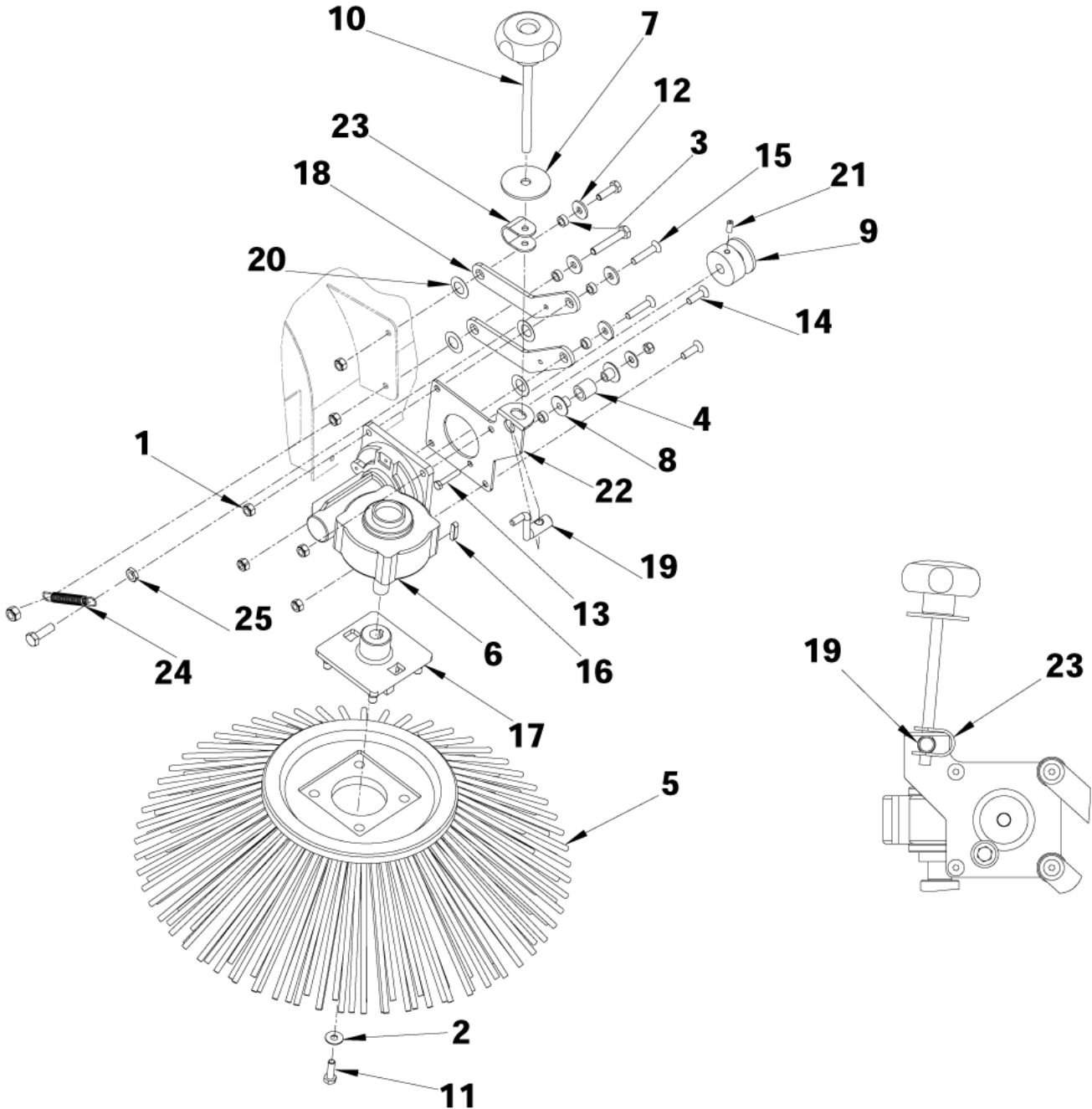
Side broom

FLOORTEC 560P

13-09-2014

Part List ID
FLOORTEC560P06

7



Side broom

FLOORTEC 560P

13-09-2014

Part List ID
FLOORTEC560P06

8

Pos	Part no.	Qty	Description	
1	33005604	9	NUT SELF L. M6 UNI7474	
2	146 0250 000	1	WASHER 6.4X16.31X1 UNI739	
3	145 1252 000	4	spacer d.6,5xd.10x4,5	
4	145 1751 000	1	Spacer d10,5xd. 15 x 15	
5	145 1899 000	1	SIDE BRUSH 180X420 PPL	OPTIONAL
5	145 4959 000	1	SIDE BRUSH STEEL MIX	
5	145 4976 000	1	SIDE BRUSH NATURAL FIBRE	OPTIONAL
5	146 0678 000	1	BRUSH SIDE 180X347 NYLON	OPTIONAL
6	145 2324 000	1	Right gear	
7	146 1488 000	1	WASHER	
8	145 4744 000	2	spacer d.6,3*d.20*10	
9	145 5470 000	1	gear control pulley	
10	145 8455 000	1	Knob M 8x112	
11	33003975	3	SCREW M6X20 UNI5739	
12	L08228600	4	Washer	
13	33003978	2	SCREW M6X35 UNI5739	
14	33004578	2	SCREW M6X20 UNI5933	
15	33004580	2	SCREW M6X30 UNI5933	
16	145 9774 000	1	Key 5x 5x20 (min 10 box)	
17	146 0402 000	1	BRUSH HOLDING FLANGE	
18	146 0558 000	2	Arm side broom	
19	146 0560 000	1	Hook side broom	
20	146 0617 000	4	BELLEVILLE WASHER	
21	146 0622 000	1	SCREW GRUB M5X12 UNI5929	
22	146 0703 000	1	PLATE	
23	146 0712 000	1	Clamp	
24	145 0274 000	1	Belt stretcher lever	
25	33005531	1	NUT HEX M6 UNI5589	

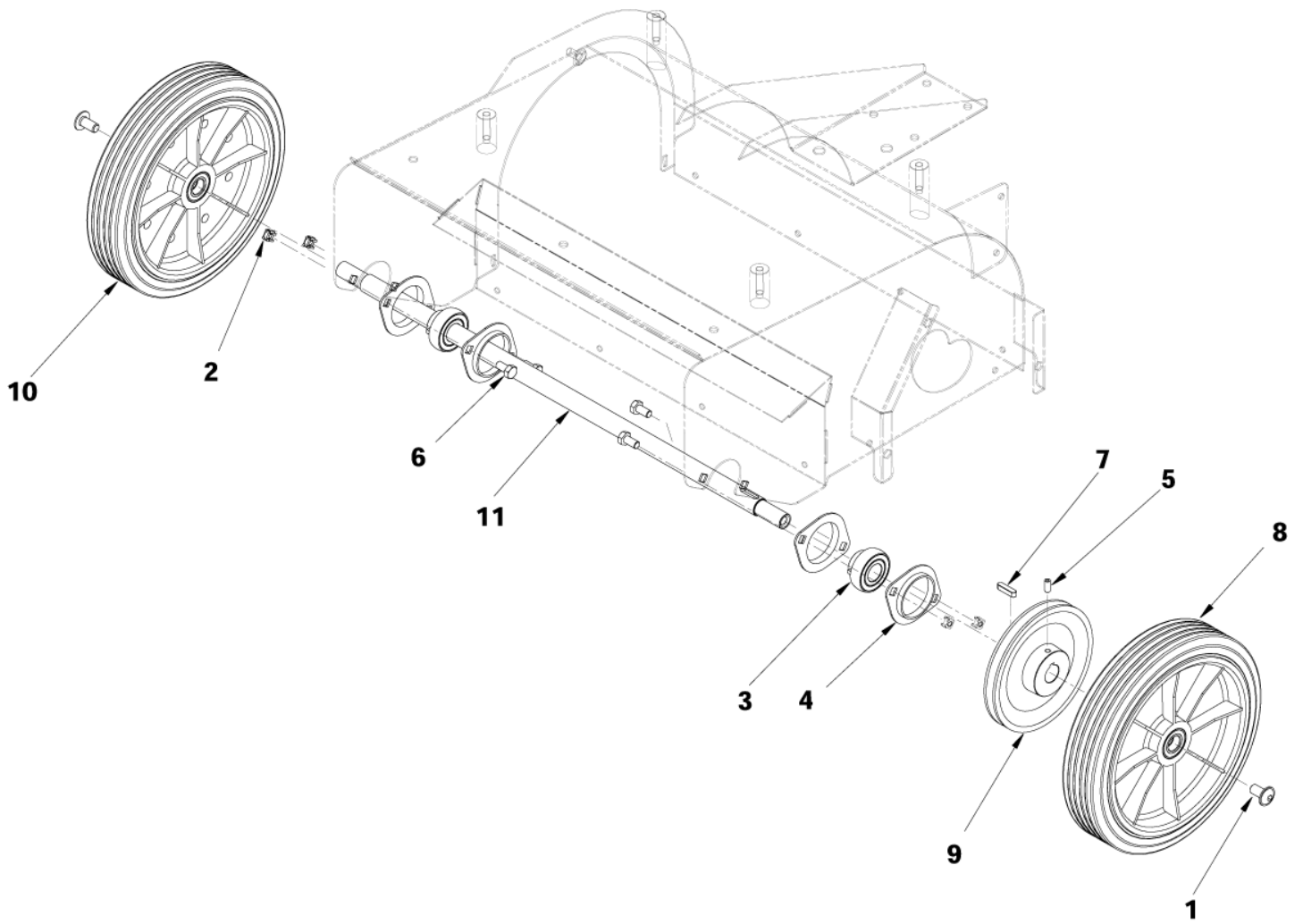
Wheels

FLOORTEC 560P

13-09-2014

Part List ID
FLOORTEC560P08

9



Wheels

FLOORTEC 560P

13-09-2014

Part List ID
FLOORTEC560P08

10

Pos	Part no.	Qty	Description
1	146 0582 000	2	Screw M 10x 20
2	145 1224 000	2	NUT M 8 WURTH038181
3	145 1123 000	2	Ball bearing YAT204
4	145 8543 000	2	Support PFT 47
5	146 0640 000	1	SCREW GRUB M6X14 UNI5929
6	33003993	4	SCREW TE 8X16
7	145 9899 000	1	KEY 6X6X25
8	146 0513 000	1	Right wheel complete
9	146 0517 000	1	PULLEY D.140
10	146 0518 000	1	Left wheel complete
11	146 0732 000	1	SHAFT

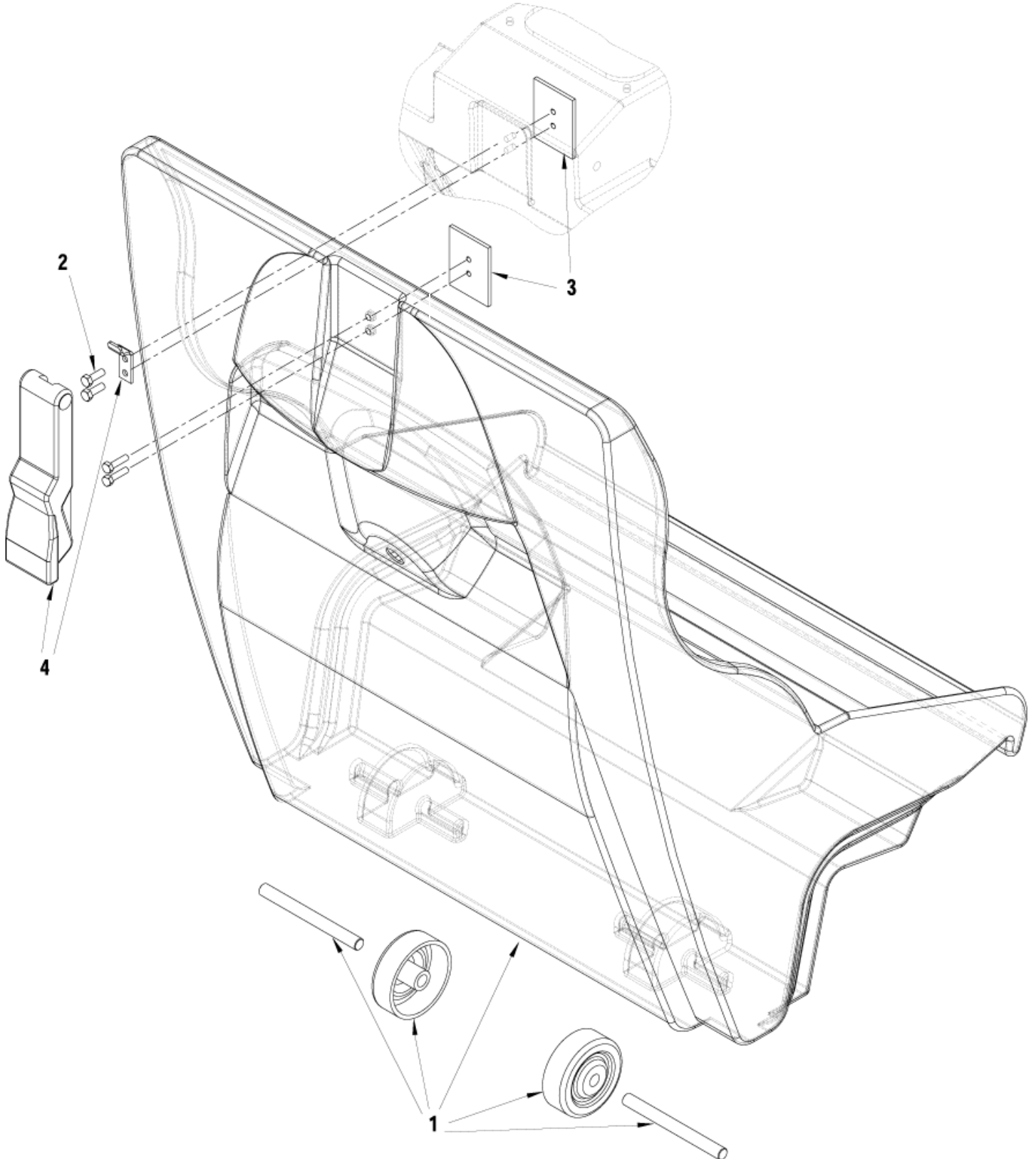
Hopper system

FLOORTEC 560P

13-09-2014

Part List ID
FLOORTEC560P10

11



Hopper system

FLOORTEC 560P

13-09-2014

Part List ID
FLOORTEC560P10

12

Pos	Part no.	Qty	Description
1	146 2345 000	1	CONTAINER DIRT ROTOMOLDED
2	33003963	4	SCREW M5X20 UNI5739
3	146 0562 000	2	PLATE
4	146 0520 000	1	Hook Rubber

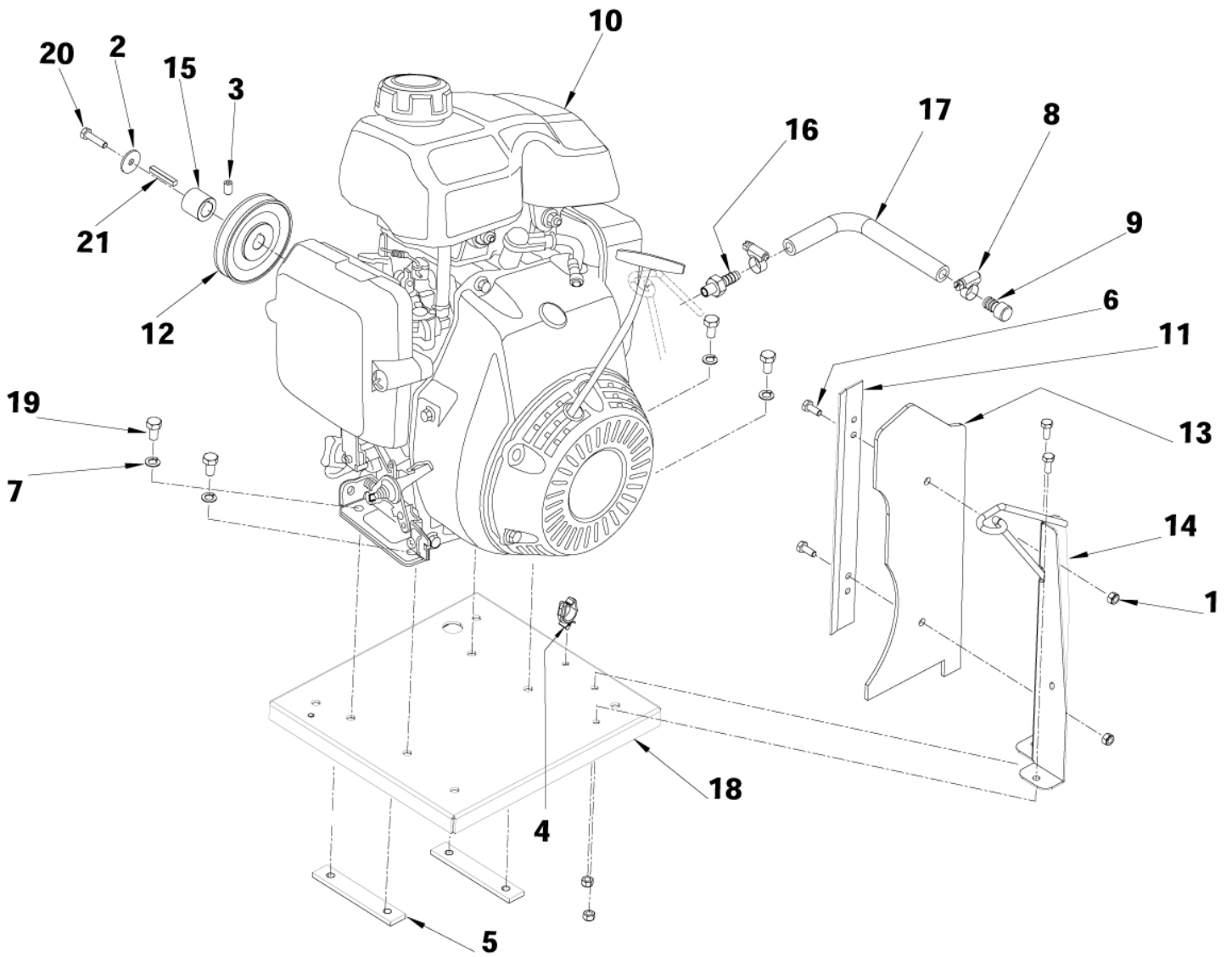
Petrol engine

FLOORTEC 560P

13-09-2014

Part List ID
FLOORTEC560P12

13



Petrol engine

FLOORTEC 560P

13-09-2014

Part List ID
FLOORTEC560P12

14

Pos	Part no.	Qty	Description
0	146 0822 000	1	PLUG,SPARK
0	146 0823 000	1	FILTER,AIR
0	146 0824 000	1	PRE-FILTER AIR
1	33005604	4	NUT SELF L. M6 UNI7474
2	145 0493 000	1	Plane washer 6x24 INOX
3	145 1228 000	1	dowel M 6x10
4	146 0987 000	1	TIE CABLE ARROWHEAD
5	145 1293 000	2	Plate
6	33003974	4	SCREW M6X16 UNI5739
7	33005842	4	WASHER M8 UNI1751B
8	145 8582 000	2	Clamp 8/ 9-16
9	145 9220 000	1	Cap d.10-17
10	146 0831 000	1	ENGINE PETROL KIT
11	146 2331 000	1	PLATE SIDE SKIRT
12	146 0828 000	1	PULLEY D.85
13	146 0684 000	1	PANEL RUBBER
14	146 0685 000	1	SUPPORT
15	146 0829 000	1	SPACER
16	146 0691 000	1	HOLDER RUBBER M10x1.25
17	146 0692 000	1	HOSE OIL DRAIN L.250MM PKD
18	146 2138 000	1	PLATE.ENGINE SUPPORT
19	146 0700 000	4	SCREW M8X14 UNI5739
20	33003975	1	SCREW M6X20 UNI5739
21	146 0830 000	1	KEY 5X5X36 UNI6604A

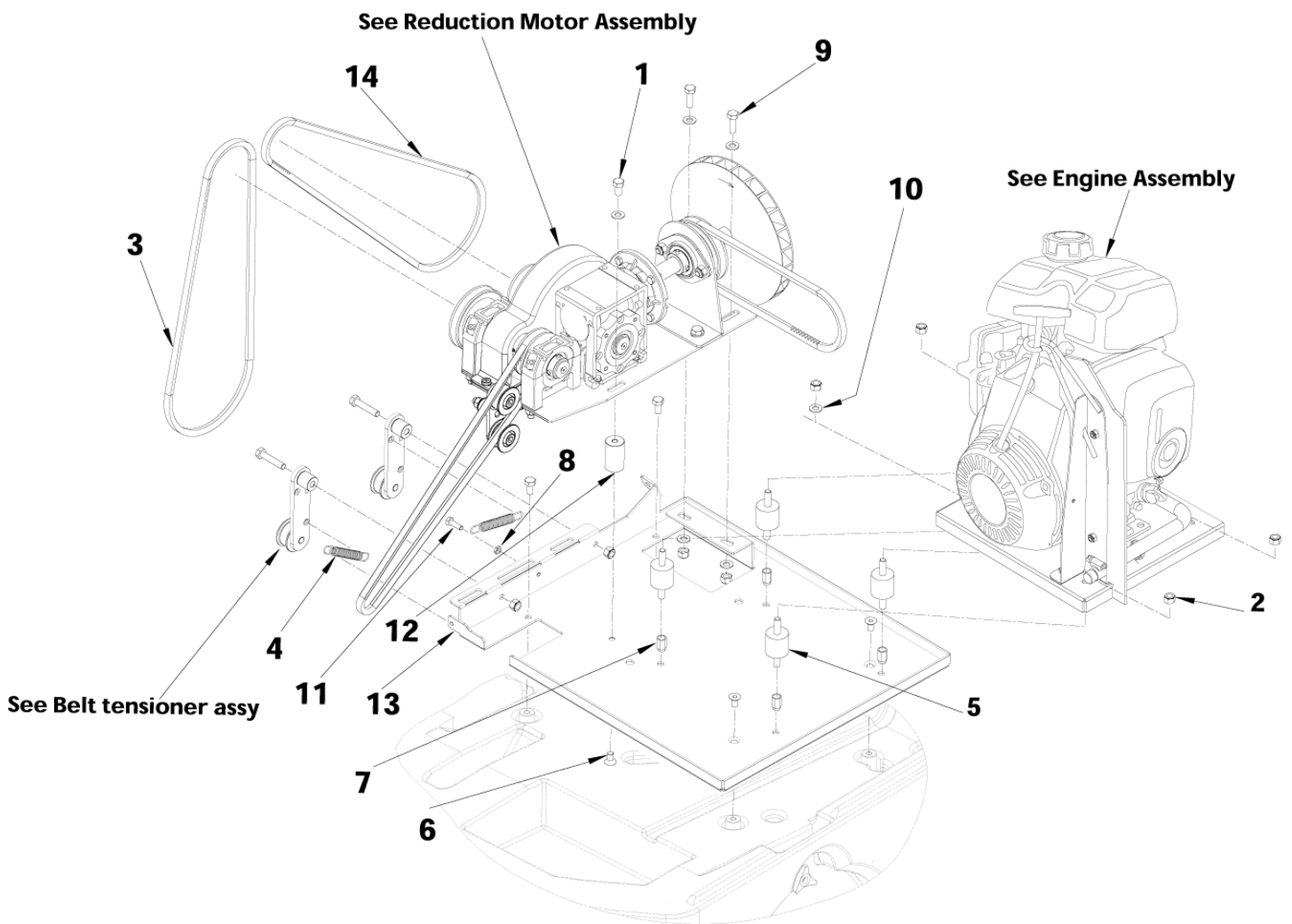
Transmission

FLOORTEC 560P

13-09-2014

Part List ID
FLOORTEC560P14

15



Transmission

FLOORTEC 560P

13-09-2014

Part List ID
FLOORTEC560P14

16

Pos	Part no.	Qty	Description
1	L08274300	3	Screw hex
2	33005607	6	NUT SELF L. M8 UNI7474
3	146 0150 00	1	Belt
4	145 0274 000	2	Belt stretcher lever
5	146 1318 000	4	VIBRATION-DAMPING M8 45SH
6	145 4487 000	3	SCREW M8X15 UNI5933
7	145 6133 000	4	INSERT M8
8	33005531	1	NUT HEX M6 UNI5589
9	33005445	2	SCREW M8X25 UNI5739 GALVANISED
10	33005915	6	WASHER M8 UNI6592
11	33003975	1	SCREW M6X20 UNI5739
12	146 0515 000	1	SPACER
13	146 0536 000	1	PLATE
14	146 0767 000	1	Belt

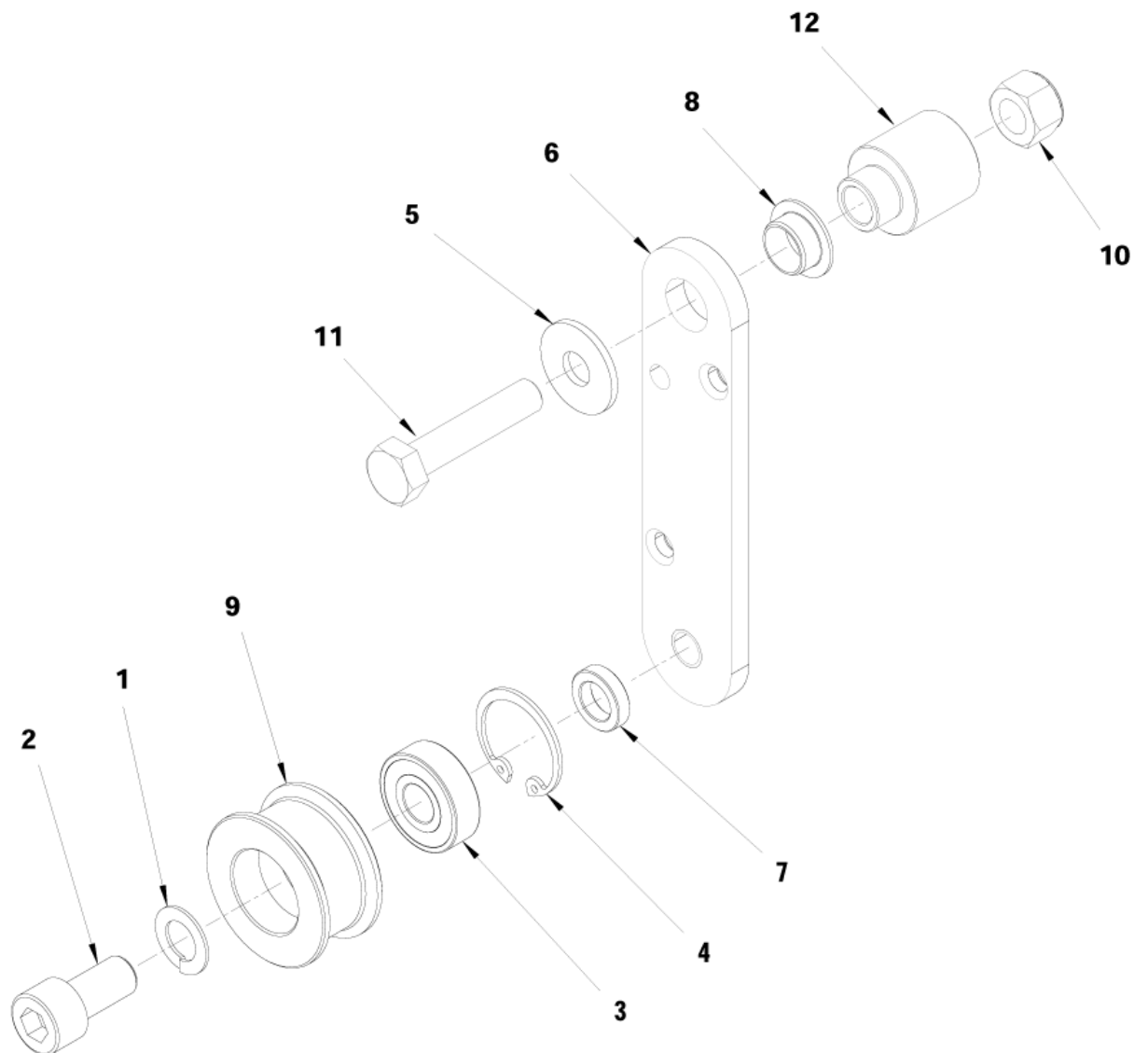
Belt tension assembly

FLOORTEC 560P

13-09-2014

Part List ID
FLOORTEC560P16

17



Belt tension assembly

FLOORTEC 560P

13-09-2014

Part List ID
FLOORTEC560P16

18

Pos	Part no.	Qty	Description
1	33005843	1	WASHER M10 UNI1751B
2	145 5742 000	1	SCREW
3	145 9186 000	1	Ball bearing 6000 2RS
4	33006156	1	RING D 26 UNI7437
5	L08300000	1	Washer
6	146 0547 000	1	ARM BELT TENSIONER
7	146 0548 000	1	SPACER 10.1X16X4
8	146 0549 000	1	BEARING,PLASTIC W/ FLANGE
9	146 0583 000	1	ROLLER BELT TENSIONER
10	33005607	1	NUT SELF L. M8 UNI7474
11	33003998	1	SCREW M8X40 UNI5739
12	146 0550 000	1	BUSHING

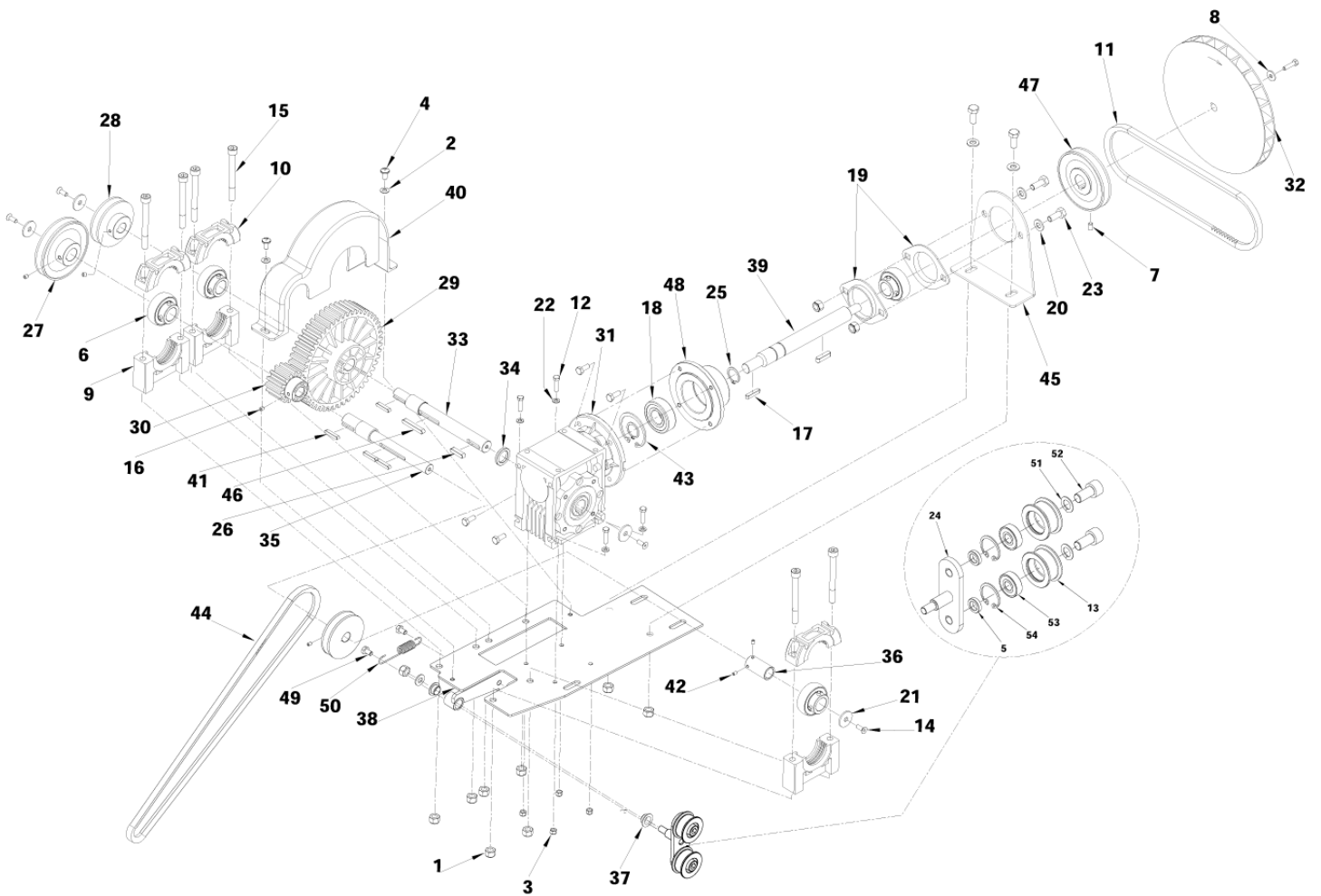
Reduction motor

FLOORTEC 560P

13-09-2014

Part List ID
FLOORTEC560P18

19



Reduction motor

FLOORTEC 560P

13-09-2014

Part List ID
FLOORTEC560P18

20

Pos	Part no.	Qty	Description
1	33005607	11	NUT SELF L. M8 UNI7474
2	33005915	2	WASHER M8 UNI6592
3	33005603	4	NUT SELF L. M5 UNI7474
4	L08603706	2	SCREW CYL HD M6X12
5	146 0548 000	2	SPACER 10.1X16X4
6	145 1123 000	4	Ball bearing YAT204
7	145 1228 000	2	dowel M 6x10
8	145 1261 000	1	plain washer 5 x 15 zn
9	145 1976 000	3	Support
10	145 1977 000	3	Support
11	145 3853 000	1	BELT SPZX 710
12	33003963	5	SCREW M5X20 UNI5739
13	146 0583 000	2	ROLLER BELT TENSIONER
14	33004562	4	SCREW M5X14 UNI5933
15	145 5741 000	6	SCREW
16	145 5913 000	3	DOWEL 5X6
17	145 8024 000	4	Key 5x 5x25 (min 10 box)
18	L08183900	1	Ball bearing
19	145 8543 000	1	Support PFT 47
20	33005915	5	WASHER M8 UNI6592
21	145 9129 000	4	Washer 6x24 (min 10 box)
22	33005912	4	WASHER 5M UNI6592
23	33005444	4	SCREW M8X20 UNI5739 GALVANIZED
24	146 1137 000	1	ARM BELT TENSIONER
25	33006059	2	RING
26	145 9899 000	2	KEY 6X 6X25
27	146 0514 000	1	PULLEY D.85
28	146 0516 000	2	PULLEY D.65
29	146 0523 000	1	GEAR
30	146 0524 000	1	GEAR
31	1463248000	1	REDUCTION GEAR COMPLETE 15 1
32	146 0537 000	1	Fan
33	146 0540 000	1	SHAFT TRANSMISSION
34	146 0541 000	1	BUSHING
35	146 0542 000	1	SHAFT MAIN BROOM
36	146 0546 000	1	SPACER
37	146 0549 000	2	BEARING,PLASTIC W/ FLANGE
38	146 0563 000	1	PLATE
39	146 1176 000	1	SHAFT REDUCTIONGEAR FAN
40	146 0605 000	1	COVER
41	146 0619 000	1	KEY 3/16X3/16X1
42	146 0621 000	2	SCREW GRUB M4X 6 UNI5929
43	33006176	1	SEEGER J47

Reduction motor

FLOORTEC 560P

13-09-2014

Part List ID
FLOORTEC560P18

21

Pos	Part no.	Qty	Description
44	146 0701 000	1	BELT
45	146 0711 000	1	SUPPORT
46	146 0769 000	1	Pin 6x6x40
47	146 0780 000	1	PULLEY
48	146 1175 000	1	FLANGE
49	146 1453 000	2	SCREW M6X10 UNI5739
50	145 0262 000	1	Spring
51	33005843	2	WASHER M10 UNI1751B
52	145 5742 000	2	SCREW
53	145 9186 000	2	Ball bearing 6000 2RS
54	33006156	2	RING D 26 UNI7437

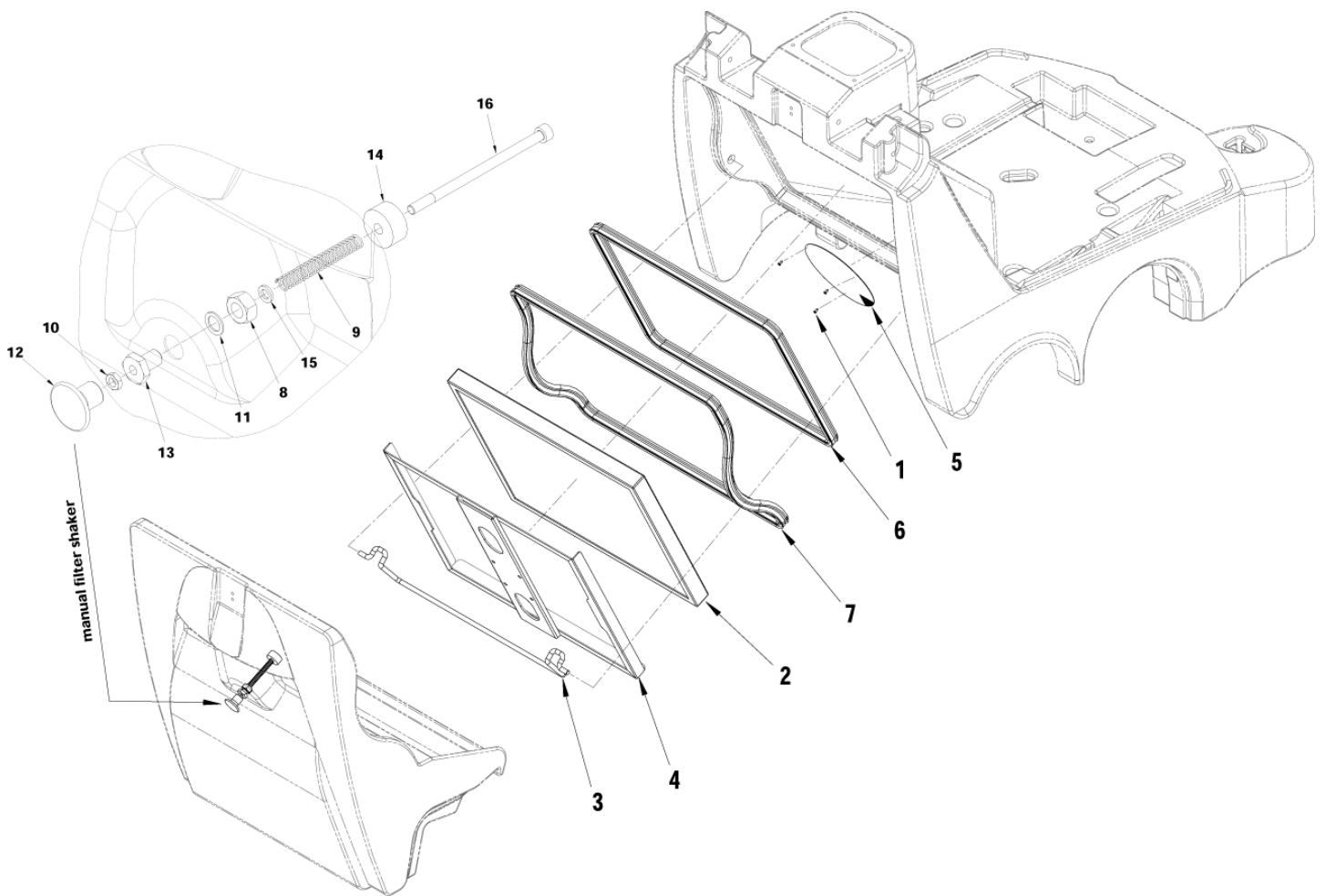
Dust control

FLOORTEC 560P

13-09-2014

Part List ID
FLOORTEC560P20

22



Dust control

FLOORTEC 560P

13-09-2014

Part List ID
FLOORTEC560P20

23

Pos	Part no.	Qty	Description
0	146 0782 000	1	PRE-FILTER
1	146 0669 000	3	SCREW 4X12
2	145 4746 000	1	POLYESTER FILTER BIA C APPROVED
2	145 4806 000	1	PAPER FILTER
2	146 0368 000	1	POLYESTER FILTER ANTISTATIC
3	146 0573 000	1	HOOK FILTER
4	146 0574 000	1	Frame filter
5	146 0607 000	1	PROTECTION FAN
6	146 0629 000	1	GASKET
7	146 0741 000	1	GASKET
8	33005505	1	NUT HEX M10 UNI5588
9	145 1935 000	1	SPRING
10	33005531	1	NUT HEX M6 UNI5589
11	33005869	1	WASHER M10 UNI8842A
12	145 4802 000	1	KNOB M6
13	145 4928 000	1	BUSHING FILTER SHAKER
14	145 5020 000	1	MASS FILTER SHAKER
15	33005913	1	WASHER M6 UNI6592
16	146 0636 000	1	SCREW M6X110 UNI5931

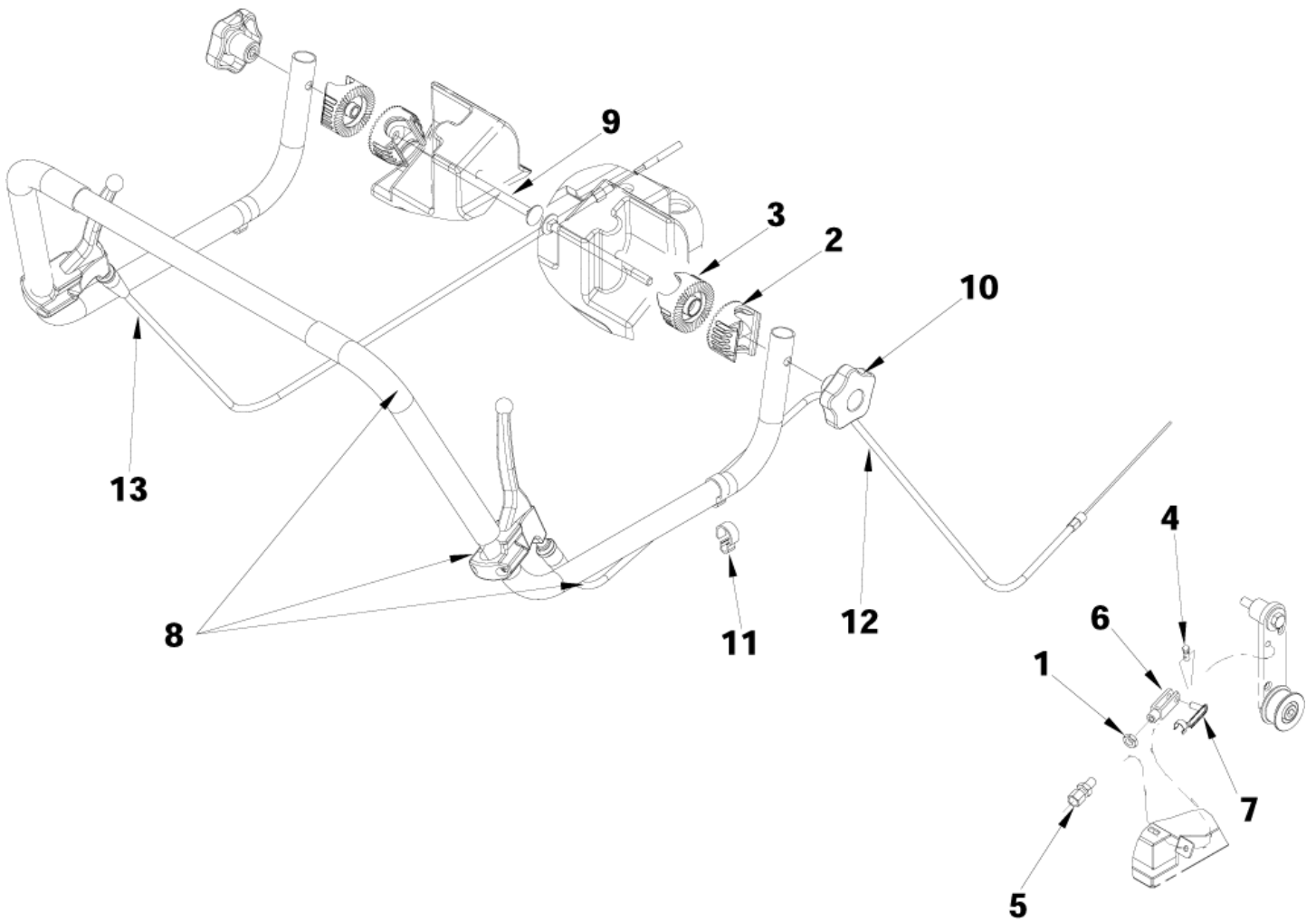
Handle

FLOORTEC 560P

13-09-2014

Part List ID
FLOORTEC560P22

24



Handle

FLOORTEC 560P

13-09-2014

Part List ID
FLOORTEC560PZ2

25

Pos	Part no.	Qty	Description
1	33005533	1	NUT HEX M8 UNI5589
2	56264118	2	RATCHET, HANDLE ADJ.
3	56264123	2	Ratchet Handle Adj
4	145 8110 000	1	Clamp d.6
5	145 9283 000	1	Screw M8x35
6	145 9409 000	1	Fork M 6
7	145 9410 000	1	Circlip M 6
8	146 2342 000	1	HANDLE COMPLETE
9	146 0778 000	2	SCREW M8X130 UNI5731
10	146 1852 000	2	KNOB M8
11	146 0763 000	2	FIXING CABLE
12	146 2309 000	1	CABLE,FLAP RAISING DEVICE
13	146 2310 000	1	CABLE

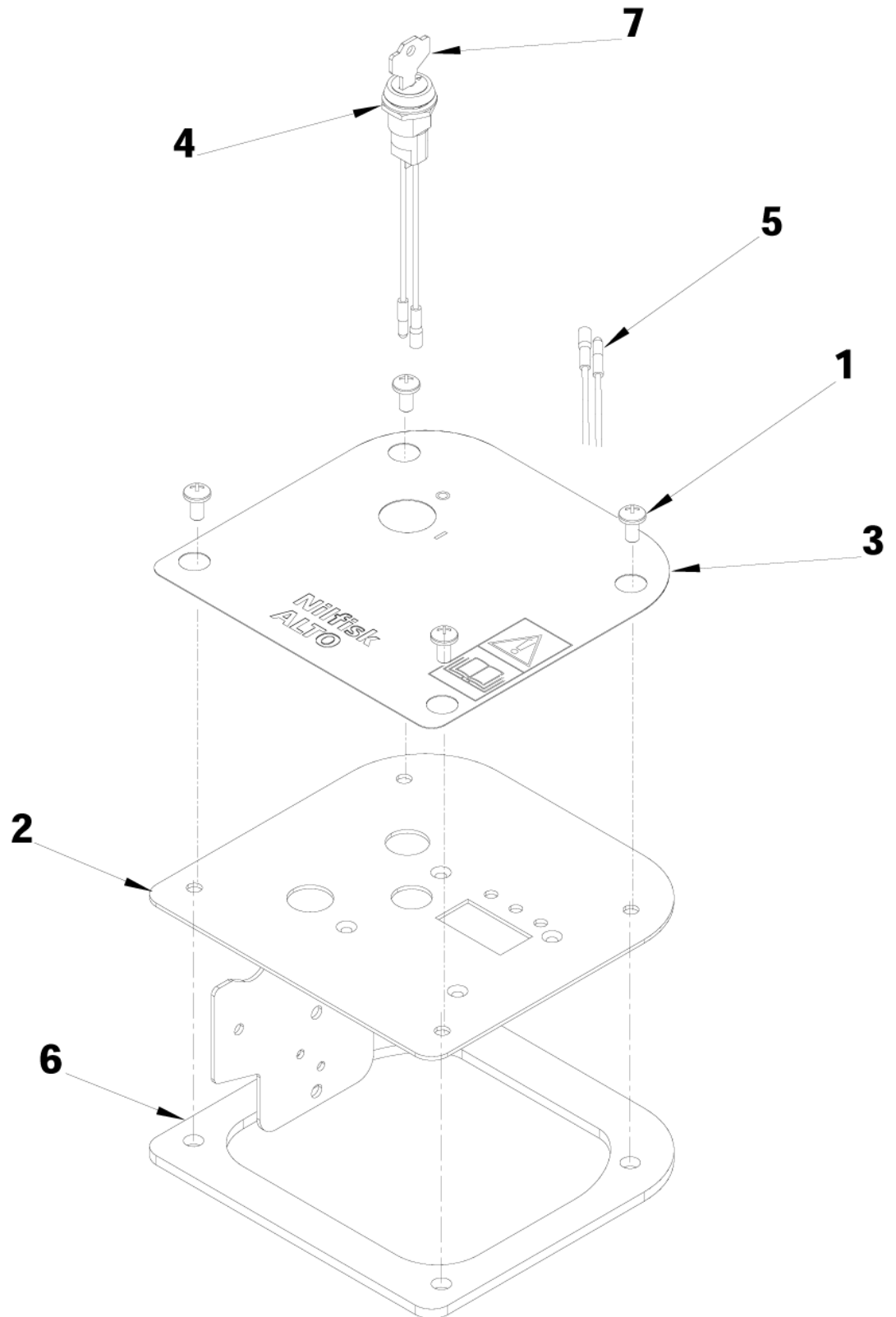
Control panel

FLOORTEC 560P

13-09-2014

Part List ID
FLOORTEC560P24

26



Control panel

FLOORTEC 560P

13-09-2014

Part List ID
FLOORTEC560P24

27

Pos	Part no.	Qty	Description
1	L08603706	4	SCREW CYL HD M6X12
2	146 0576 000	1	PANEL CONTROL
3	146 2333 000	1	DECAL CONTROL PANEL
4	146 0762 000	1	SWITCH KEY
5	146 0706 000	1	HARNESS MACHINE SW700S P
6	146 0697 000	1	GASKET
7	146 2302 000	1	PARTS LIST FLOORTEC 580P

Hub assembly

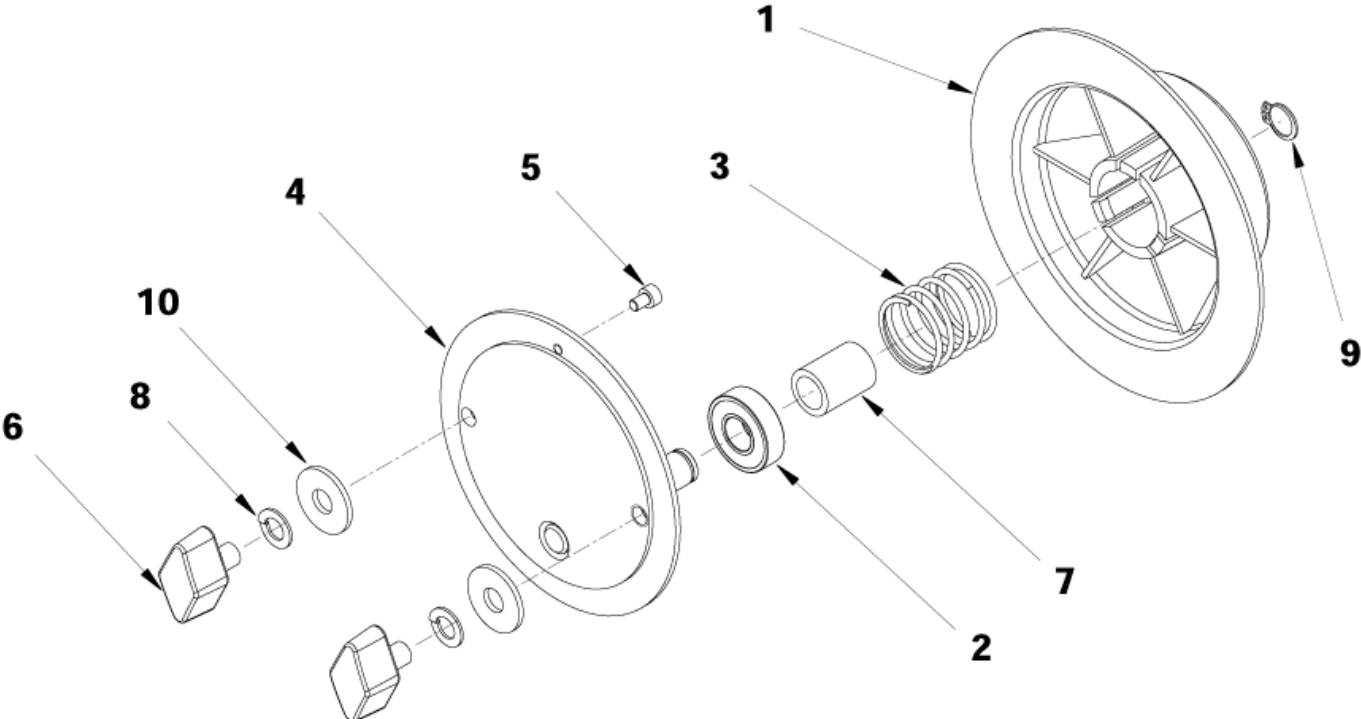
FLOORTEC 560P

13-09-2014

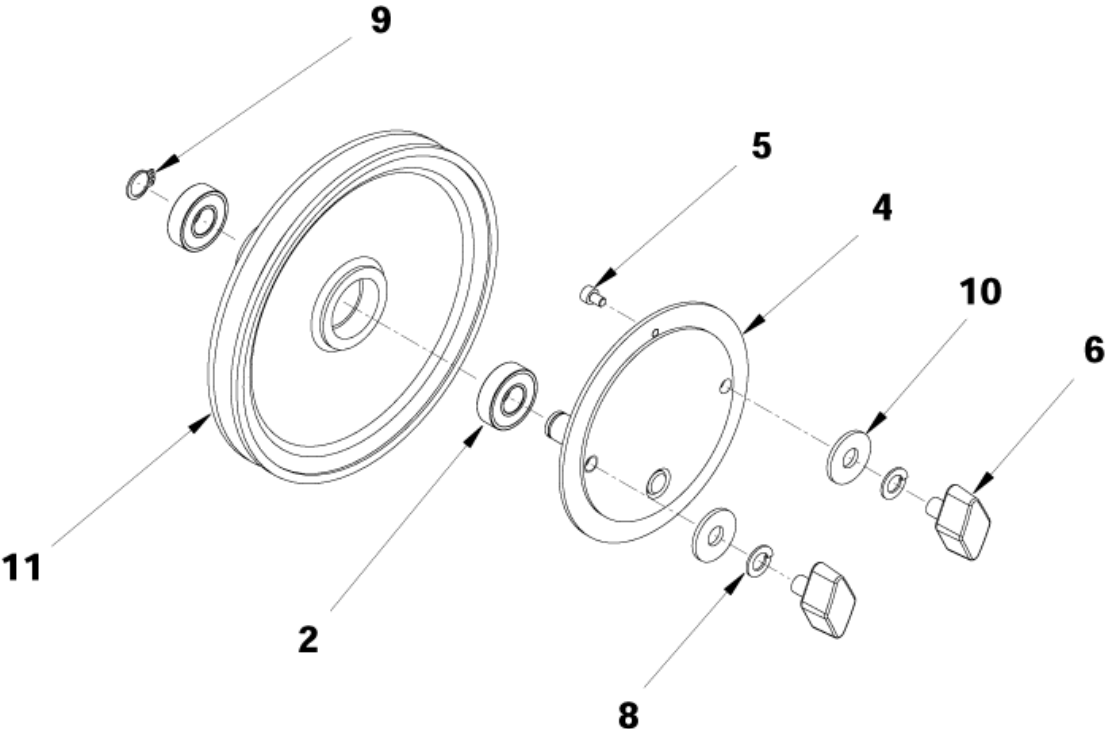
Part List ID
FLOORTEC560P26

28

Left hub assembly



Right hub assembly



Hub assembly

FLOORTEC 560P

13-09-2014

Part List ID
FLOORTEC560P26

29

Pos	Part no.	Qty	Description
1	145 0269 000	1	Hub
2	145 0270 000	3	Ball bearing 6001 2RS
3	145 0271 000	1	Spring
4	145 0272 000	2	Pin
5	33004305	2	SCREW M4x6 UNI5931
6	145 1211 000	4	knob M 8x 12
7	145 2663 000	1	Spacer d.12xd.17x22,5
8	33005842	4	WASHER M8 UNI1751B
9	33006051	2	RING D 12 UNI7435
10	L08300000	4	Washer
11	145 2617 000	1	Pulley 850 S

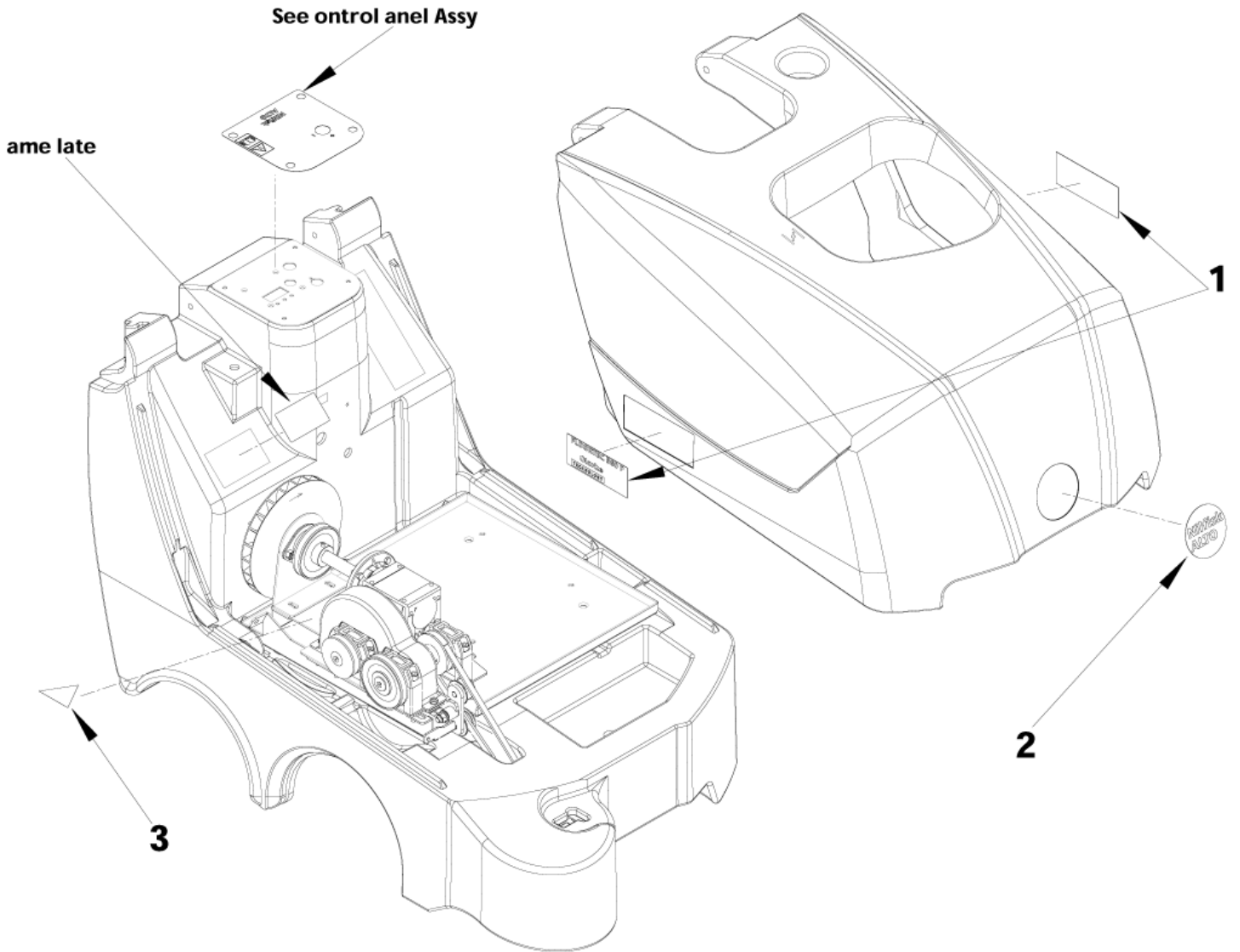
Decals

FLOORTEC 560P

13-09-2014

Part List ID
FLOORTEC560P28

30



Decals

FLOORTEC 560P

13-09-2014

Part List ID
FLOORTEC560P28

31

Pos	Part no.	Qty	Description
1	1463824000	2	DECAL FLOORTEC 560 P
2	1463818000	1	DECAL NILFISK-ALTO ROUND
3	145 1431 000	1	DECAL DANGER MOVING PARTS