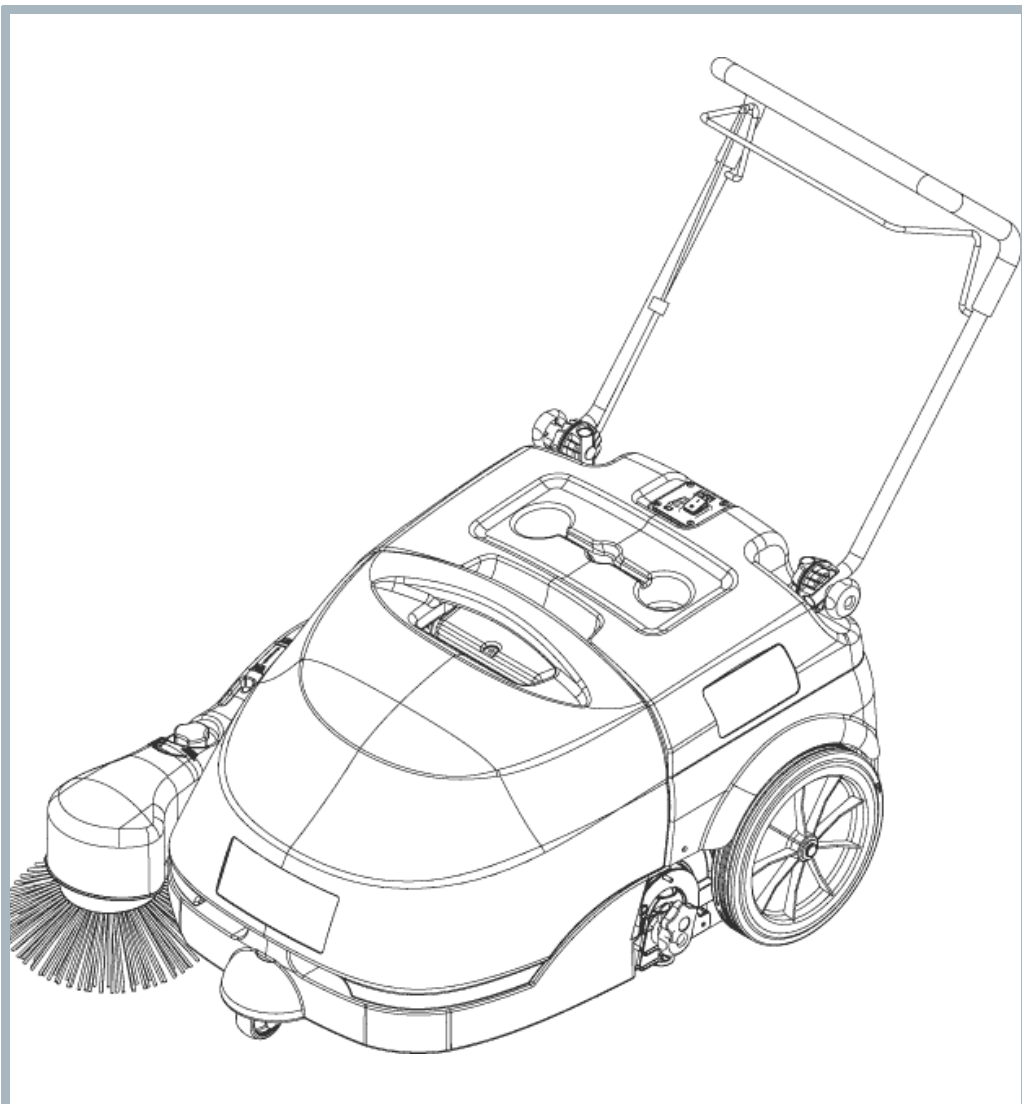


# FLOORTEC 350

---

Model:  
FLOORTEC 350  
FLOORTEC 350 B ALTO



Stykliste Dansk

26-09-2014

# Indholdsfortegnelse

FLOORTEC 350

<b>Oversigtsbillede</b>	<b>3</b>
<b>Chassissystem</b>	<b>5</b>
<b>SIDEKOSTSAMLING</b>	<b>7</b>
<b>Skidkassesystem</b>	<b>9</b>
<b>Transmission</b>	<b>11</b>
<b>Right and left hatch assemblies</b>	<b>13</b>
<b>Belt tensioner assemblies</b>	<b>15</b>
<b>Støvkontrolsystem</b>	<b>17</b>
<b>Vacuum system and filter assembly</b>	<b>19</b>
<b>Control panel system</b>	<b>21</b>
<b>LEDNINGSDIAGRAM</b>	<b>23</b>
<b>Recommended spare parts and accessories</b>	<b>25</b>

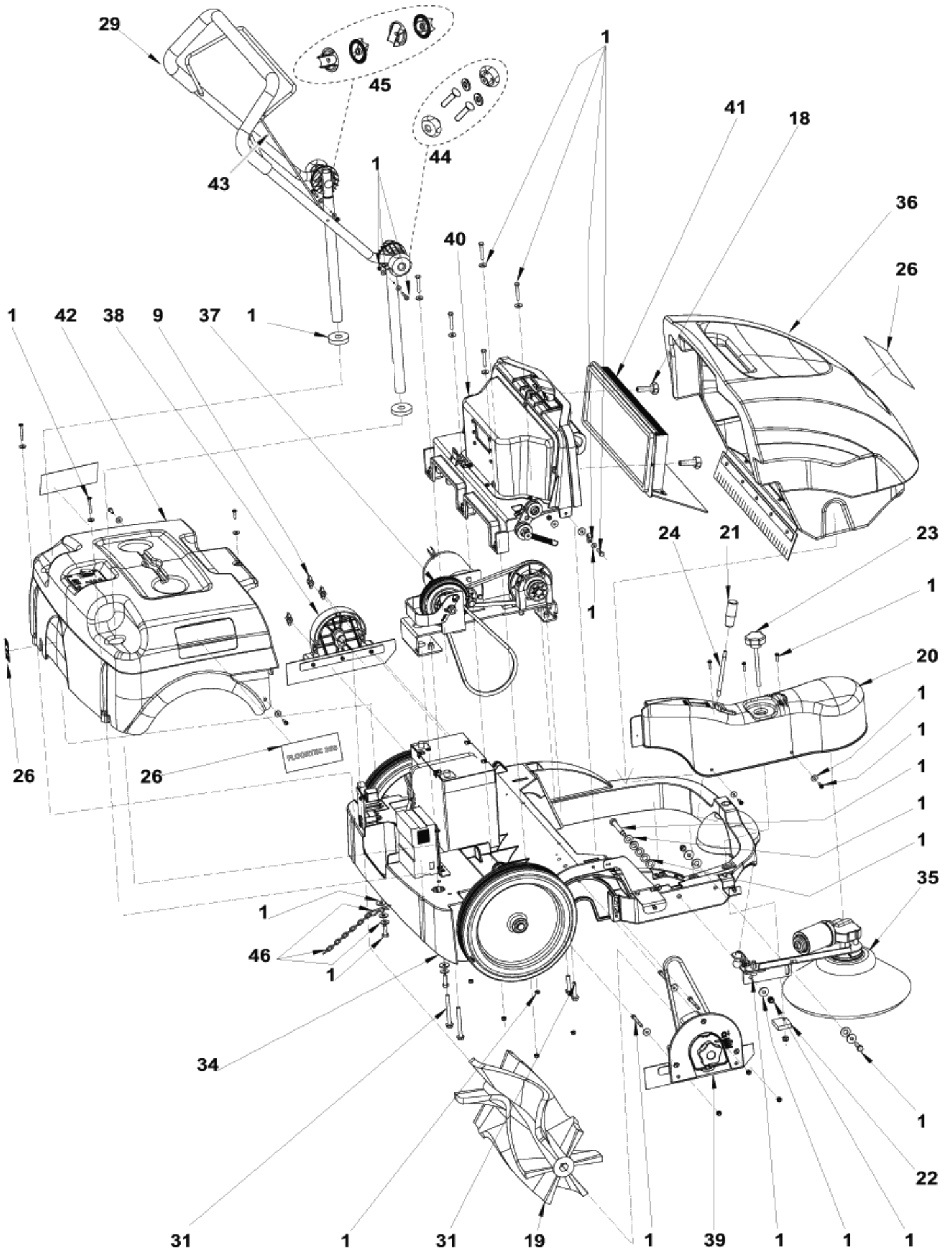
# Översigtsbillede

FLOORTEC 350

26-09-2014

StyMiste ID  
FLOORTEC35002

3



# Oversigtsbillede

## FLOORTEC 350

26-09-2014

StyMiste ID  
FLOOR I EC35002

4

Pos	Vare nr.	Ant	Beskrivelse	
0	1463171000	1	Tæppe kit	ACCESSORY
1	1463858000	1	GENERAL HARDWARE KIT	
9	145 0461 000	3	Vinge Møtrik M6	
18	146 2991 000	2	Fingermøtrik, M6	
19	146 3015 000	1	Fejev alse poly propy len	ACCESSORY
19	146 3016 000	1	Fejev alse til tæpper/naturfiber	ACCESSORY
19	1463174000	1	Fejev alse standard	
20	146 3034 000	1	CRANKCASE.SIDE BROOM	
21	146 3037 000	1	HANDLE LEVER	
22	146 3038 000	1	ADJUSTER BLOCK F. BROOM	
23	146 3039 000	1	KNOB M8X110	
24	146 3040 000	1	LEVER SIDE BROOM	
26	1463935000	1	DECALS FLOORTEC 350 ALTO KIT	ALTO Brand
26	1463937000	1	Decals Kit FLOORTEC 350	Nilfisk-ALTO Brand
29	146 3067 000	1	HANDLE BAR WITH LEVER	
31	1463868000	1	HARDWARE TRANSMISSION SYST KIT	
34		1	USE LINK	CHASSIS SYSTEM
35		1	USE LINK	SIDE BROOM ASSEMBLY
36		1	USE LINK	HOPPER SYSTEM
37		1	USE LINK	TRANSMISSION SYSTEM
38		1	USE LINK	LEFT HATCH ASSEMBLY
39		1	USE LINK	RIGHT HATCH ASSEMBLY
40		1	USE LINK	DUST CONTROL SYSTEM
41		1	USE LINK	FILTER ASSEMBLY
42		1	USE LINK	CONTROL PANEL ASSEMBLY
43	146 3119 000	1	Kabel	
44	1463859000	1	Monterings sæt-Sæt	
45	909 5099 000	1	Justerings skrue Kit	
46	1463260000	1	CHAIN KIT	ACCESSORY

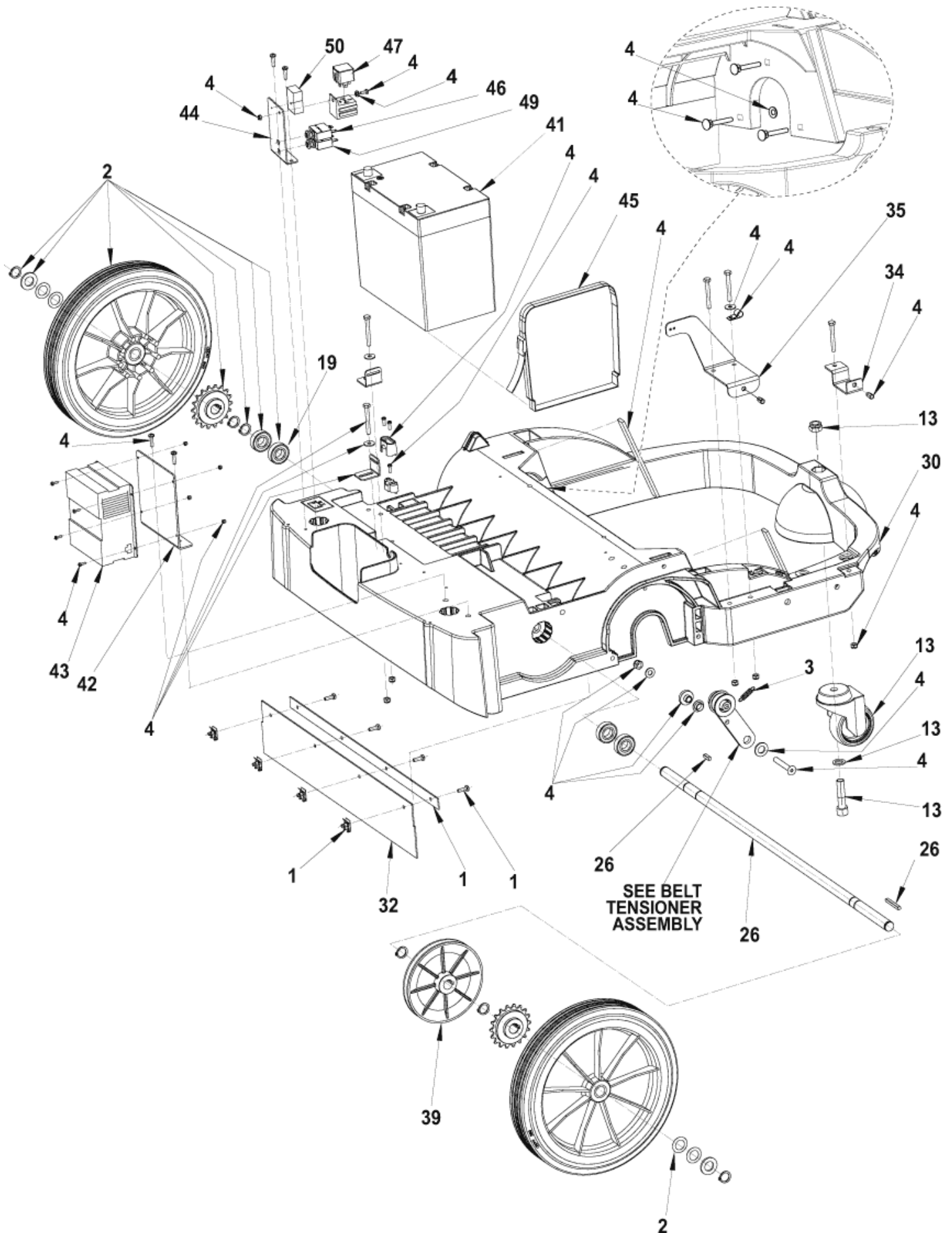
# Chassisystem

FLOORTEC 350

26-09-2014

StyMiste ID  
FLOORTEC35004

5



# Chassissystem

## FLOORTEC 350

26-09-2014

StyMiste ID  
FLOOR I EC35004

6

Pos	Vare nr.	Ant	Beskrivelse
0	145 9788 000	1	Sikring
0	146 3052 000	1	HARNESS MACHINE
0	1463167000	1	Sværtøfrít skørt, kit (side, bag, for) ACCESSORY
0	1463201000	1	BATTERY CLAMPS POS.-NEG.KIT
0	1463255000	1	Sideskørt-sæt STARTING FROM SERIAL NO.072014268
0	909 5633 000	1	Ladeledning Ba410
0	909 5676 000	1	CABLE EXTENSION UK PLUG L.1000
0	9096914000	1	Cable Extension Us Plug
1	146 3124 000	1	Gummi Skørt & Plade Kit
2	1463976000	2	WHEEL BLUE KIT
3	145 8925 000	1	SPRING
4	1463861000	1	HARDWARE CHASSIS SYSTEM KIT
13	1463862000	1	Wheel Castor Kit
19	145 8415 000	4	Lager
26	1463863000	1	SHAFT WHEELS KIT
30	146 2978 000	1	Chassis
32	1463166000	1	Sideskørt kit, standard
34	146 2983 000	1	BRACKET CARTER FIXING
35	146 2984 000	1	BRACKET CARTER FIXING
39	146 2998 000	1	Pulley D.140
41	1464483000	1	Batteri 12V 49A AGM monoblok ACCESSORY - TSB IT 2010-058
41	1464853000	1	Batteri 12V 87A AGM monoblok ACCESSORY - TSB IT 2010-058
42	146 3050 000	1	BRACKET BAT.CHARGER FIX
43	146 3051 000	1	Lader 12V 6A 100-240V 50-60H
44	146 3053 000	1	SUPPORT ELECTRONIC COMP.
45	146 3054 000	1	Bælte til fastgørelse af batteri
46	146 3090 000	1	CIRCUIT BREAKER 5A
47	146 3113 000	1	Relæ, 12V 70 A Tyco
49	909 5706 000	1	Sikring 30A
50	909 6341 000	1	HOLDER FUSE

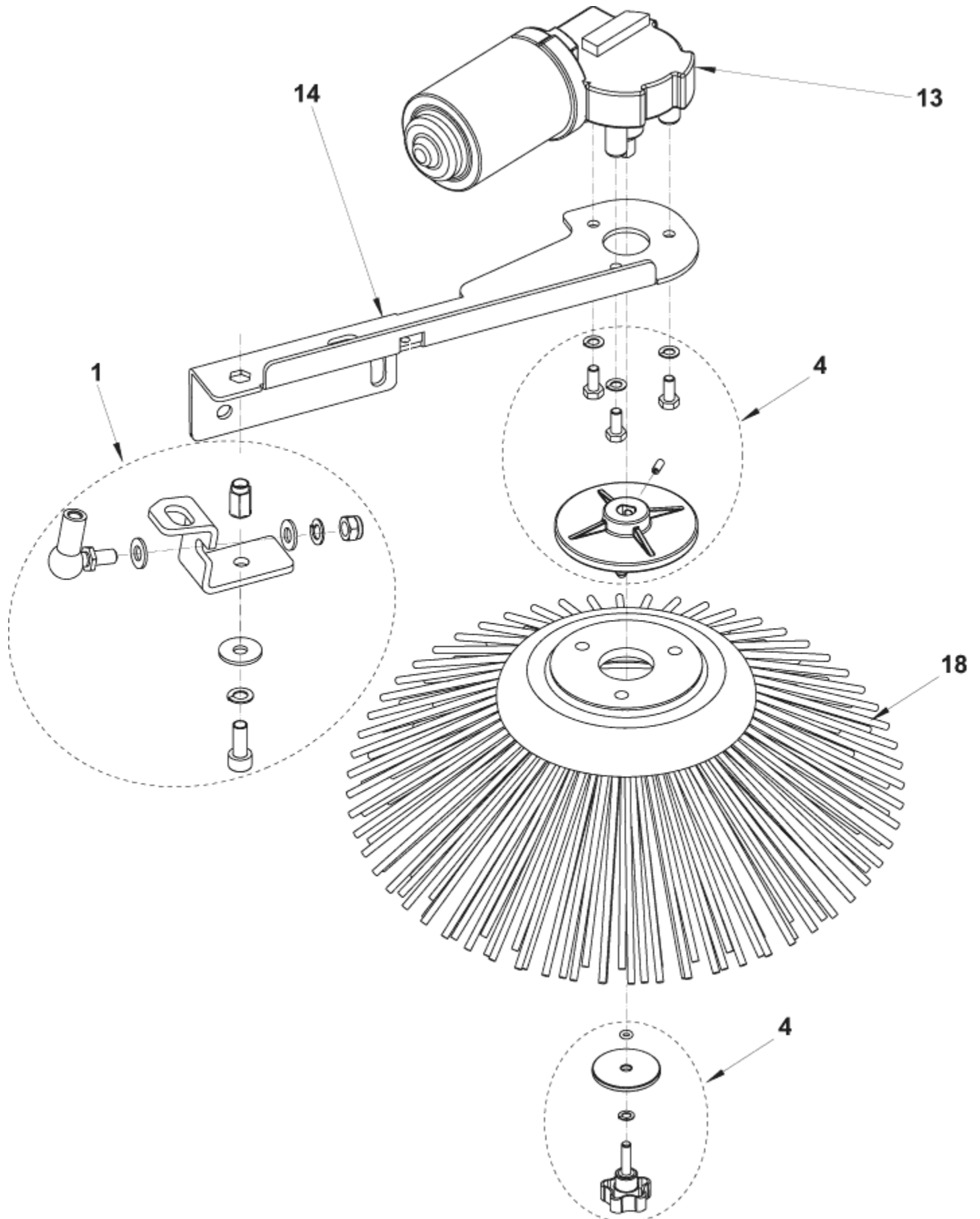
# SIDEKOSTSAMLING

FLOORTEC 350

26-09-2014

StyMiste ID  
FLOORTEC35006

7



# SIDEKOSTSAMLING

FLOORTEC 350

26-09-2014

StyMiste ID  
FLOOR I EC35006

8

Pos	Vare nr.	Ant	Beskrivelse
1	1463864000	1	HARDWARE SIDE BROOM KIT
4	1463865000	1	Monteringsplade
13	1465999000	1	REDUCTION GEARMOTOR 40W 12V PKD
14	146 3029 000	1	SUPPORT SIDE BROOM
18	146 3035 000	1	Sidekost standard
18	146 3036 000	1	Sidekost nylon til tæpper ACCESSORY



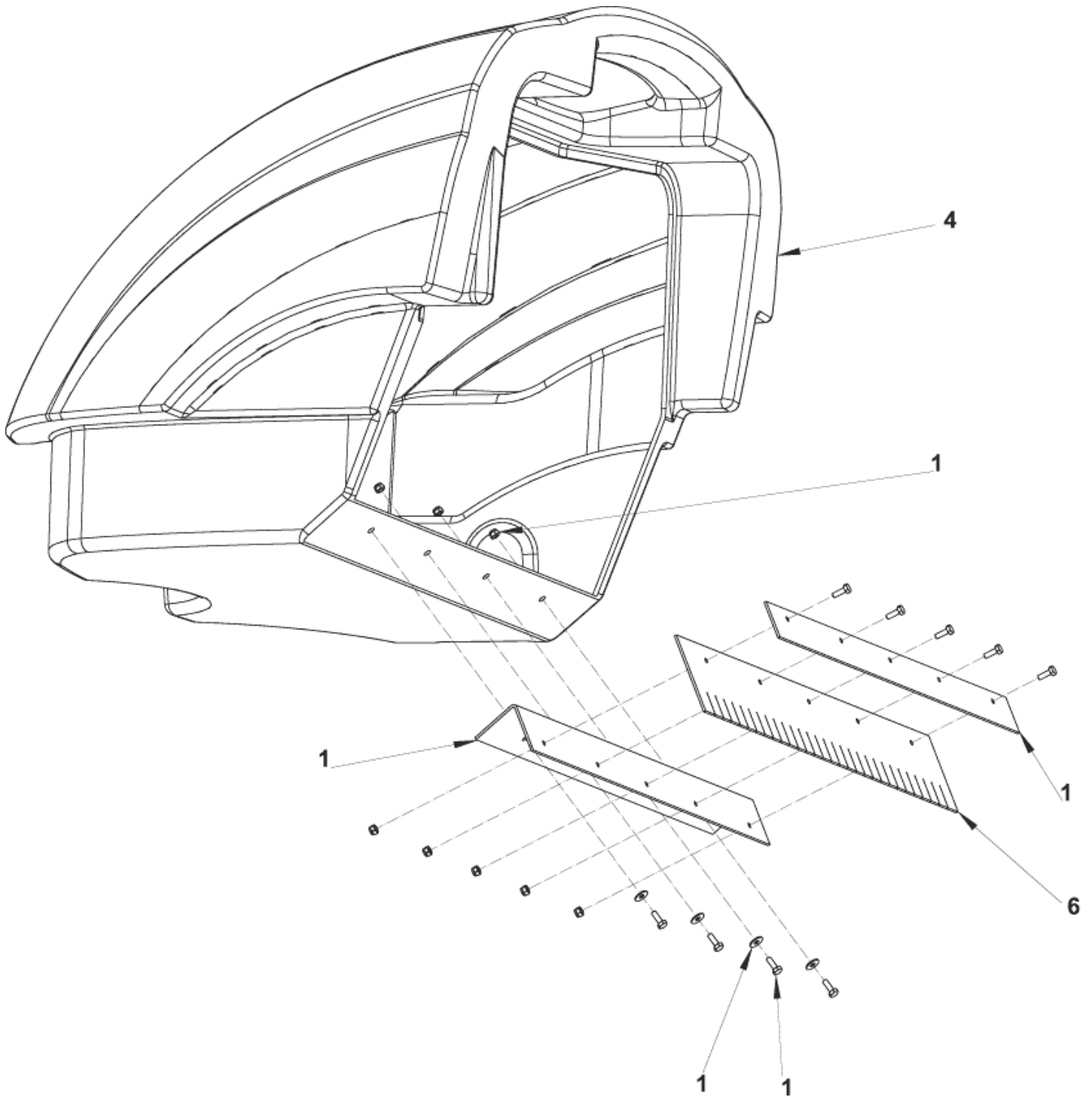
# Skidkassesystem

FLOORTEC 350

26-09-2014

StyMiste ID  
FLOORTEC35008

9



# Skidtkassesystem

FLOORTEC 350

26-09-2014

StyMiste ID  
FLOORTEC35008

10

Pos	Vare nr.	Ant	Beskrivelse
1	146 3124 000	1	Gummi Skørt & Plade Kit
4	146 3043 000	1	Smudsbeholder
6	146 3047 000	1	Flap
6	1463166000	1	Sideskørt kit, standard

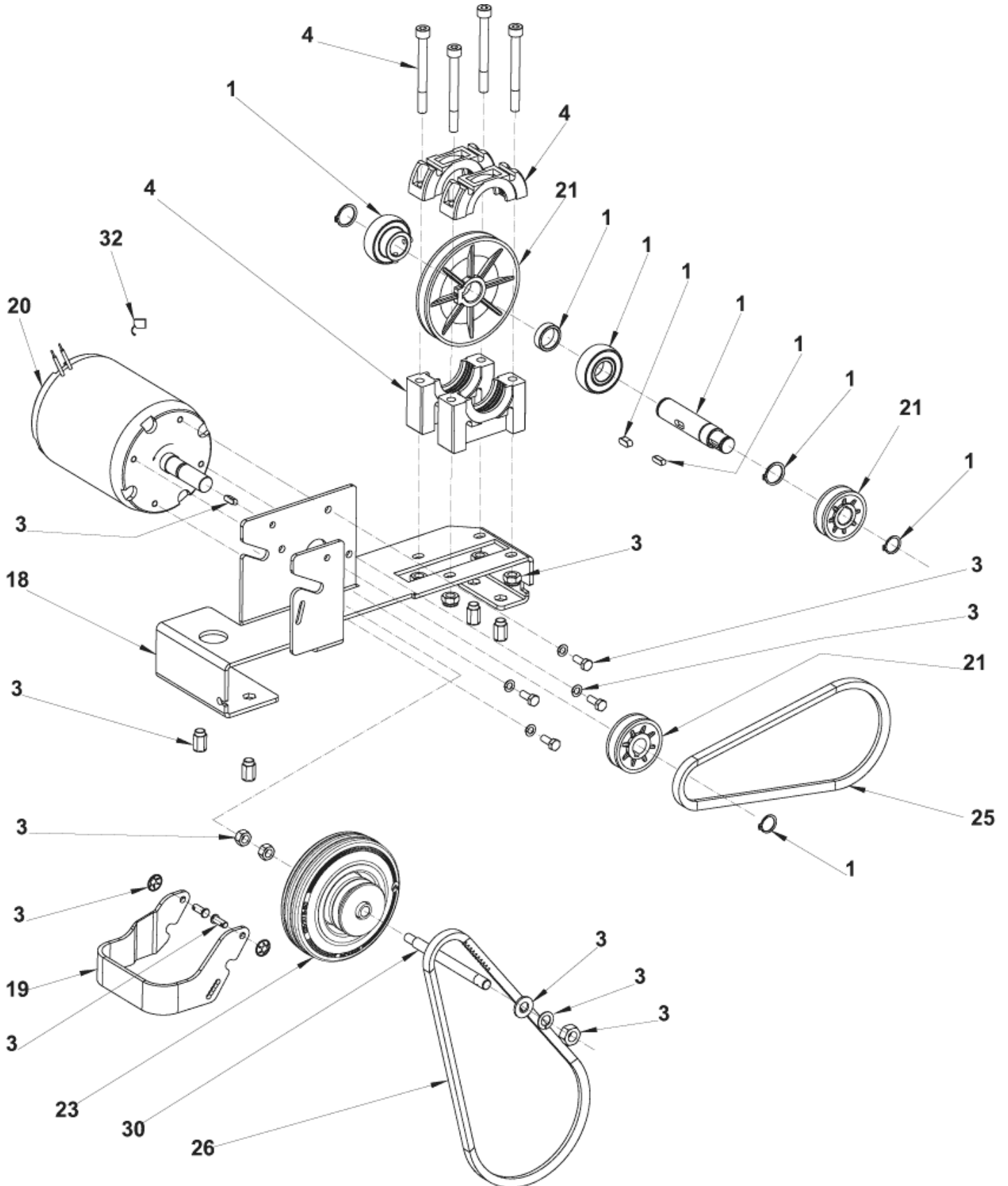
# Transmission

FLOORTEC 350

26-09-2014

StyMiste ID  
FLOORTEC35010

11



# Transmission

## FLOORTEC 350

26-09-2014

StyMiste ID  
FLOORTEC35010

12

Pos	Vare nr.	Ant	Beskrivelse
1	1463867000	1	Shaft Pulley s Kit
3	1463868000	1	HARDWARE TRANSMISSION SYST KIT
4	1463866000	1	Bearing Supports Kit
18	146 3000 000	1	PLATE MOTOR SUPPORT
19	146 3002 000	1	BRACKET CLUTCH WHEEL
20	1465998000	1	MOTOR ELECTRIC 200W 12V PKD
21	1463869000	1	Remskive-Sæt
23	146 3006 000	1	Remskive
25	1463305000	1	Rem
26	1464045000	1	Rem-Sæt
30	146 3013 000	1	SHAFT DRIVE CLUTCH WHEEL
32	909 6893 000	1	Carbon Brush Kit -4Pcs-

# Right and left hatch assemblies

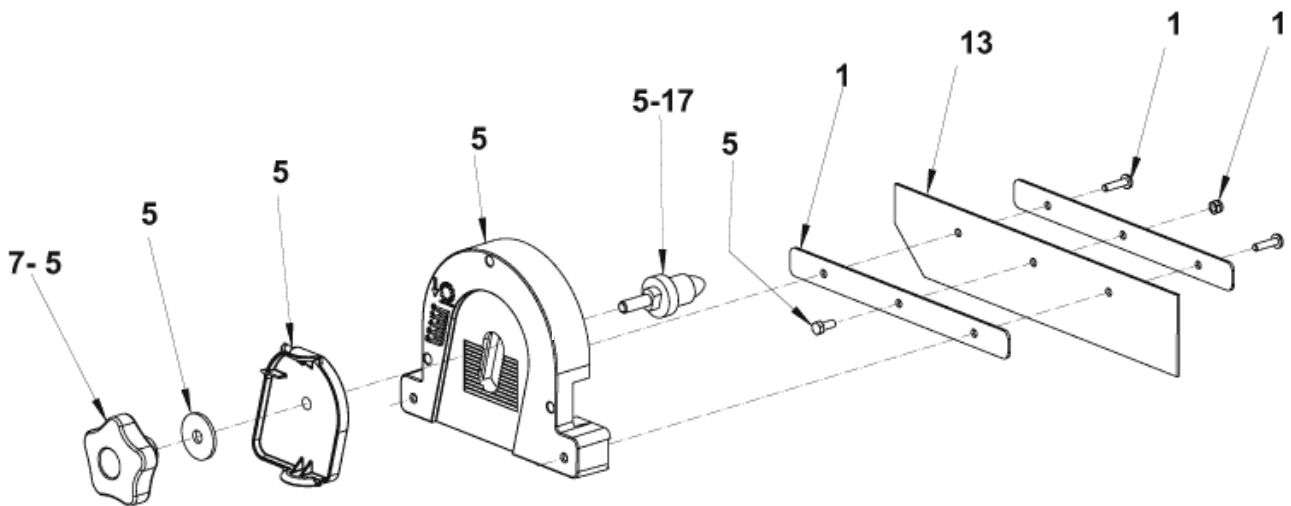
FLOORTEC 350

26-09-2014

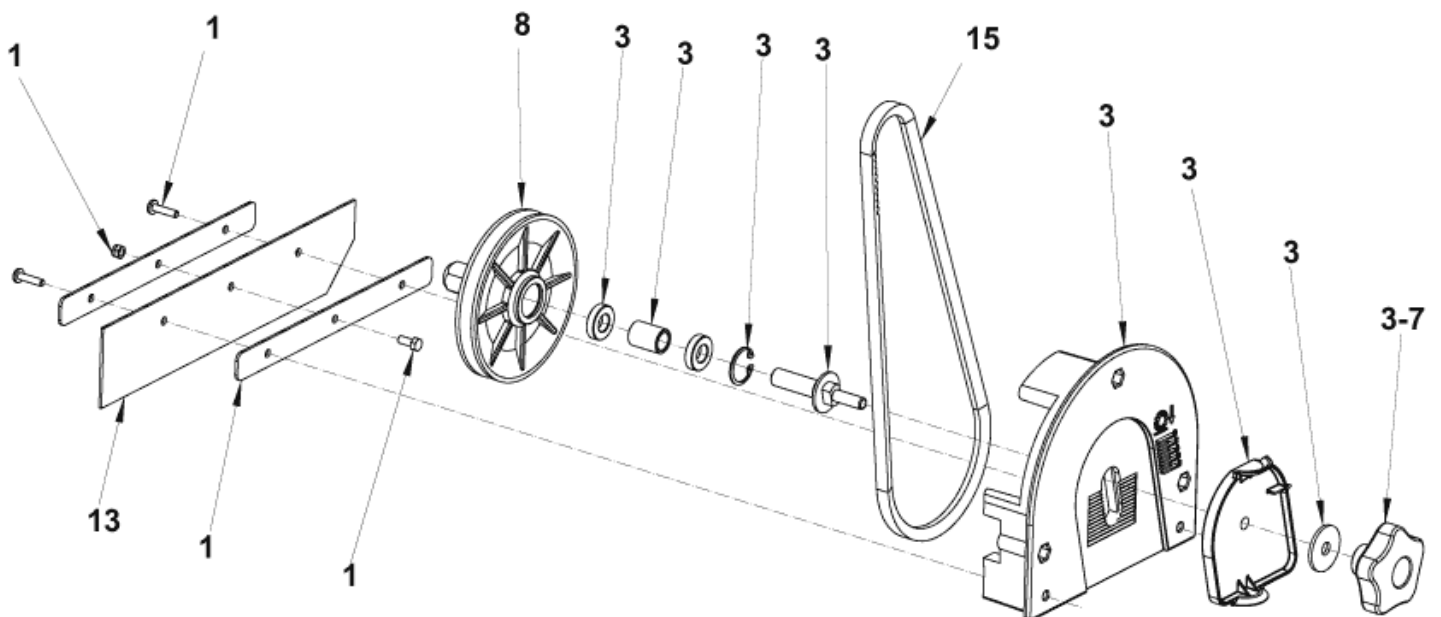
StyMiste ID  
FLOORTEC35012

13

## ASSIEME PORTELLO SINISTRO - LEFT HATCH ASSEMBLY



## ASSIEME PORTELLO DESTRO - RIGHT HATCH ASSEMBLY



# Right and left hatch assemblies

FLOORTEC 350

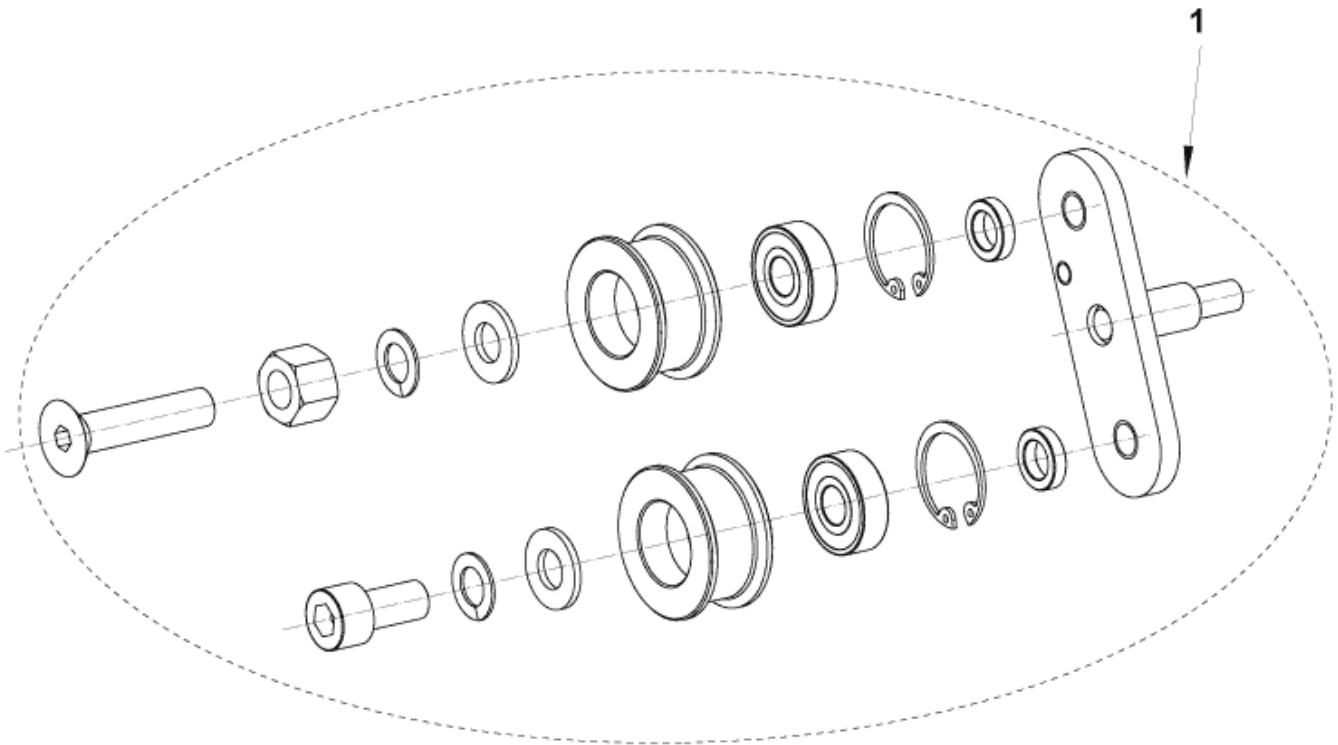
26-09-2014

StyMiste ID  
FLOORTEC35012

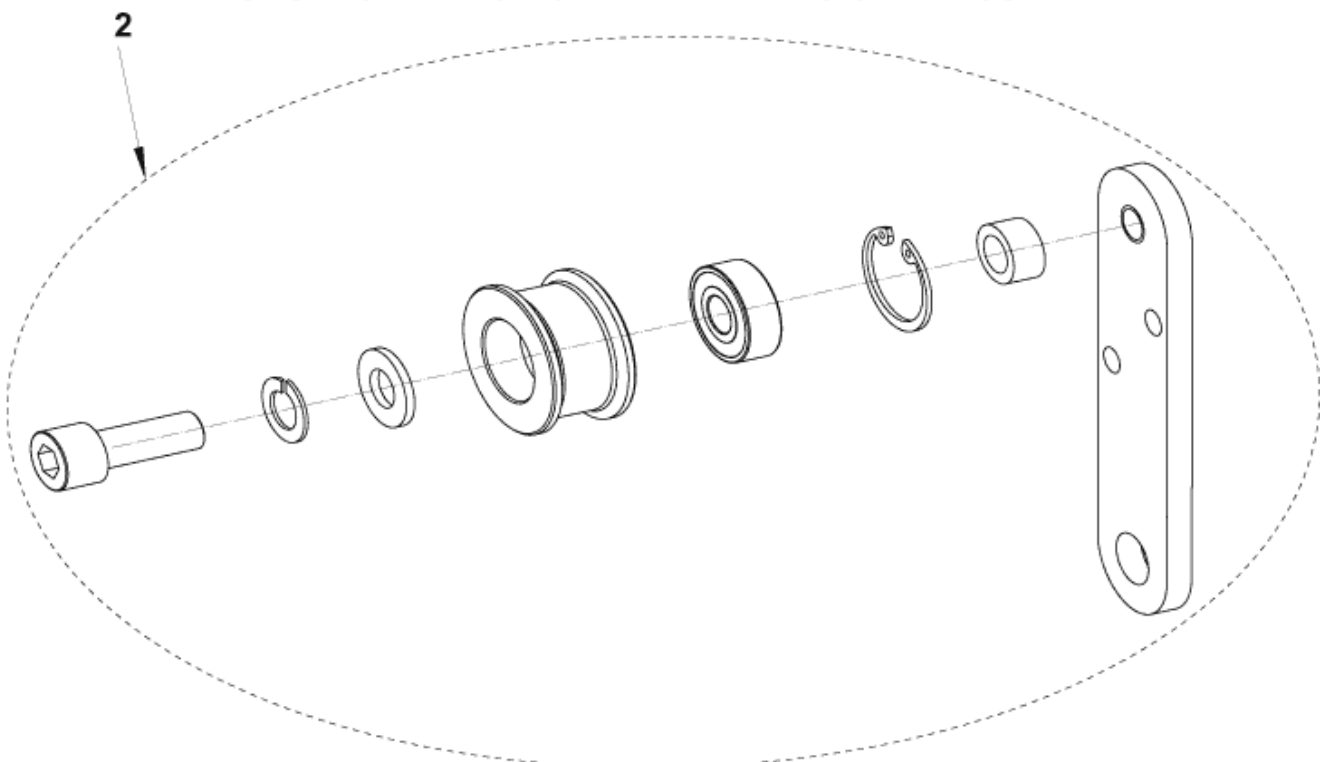
14

Pos	Vare nr.	Ant	Beskrivelse
1	146 3124 000	1	Gummi Skørt & Plade Kit
3	1463870000	1	Hatch Right Fixing Kit
5	1463871000	1	Holder For Sidebørste (V)
7	146 1852 000	2	Knob M8
8	146 3014 000	1	Remskive, D 112
13	1463166000	1	Sideskørt kit, standard
15	146 3027 000	1	Rem
17	146 3020 000	1	Stift

## GRUPPO TENDICINGHIA DOPPIO - DOUBLE BELT TENSIONER ASSEMBLY



## GRUPPO TENDICINGHIA - BELT TENSIONER ASSEMBLY



# Belt tensioner assemblies

FLOORTEC 350

26-09-2014

StyMiste ID  
FLOORTEC35014

16

Pos	Vare nr.	Ant	Beskrivelse
1	1463872000	1	BELT TENSIONER DOUBLE KIT
2	1463873000	1	BELT TENSIONER KIT



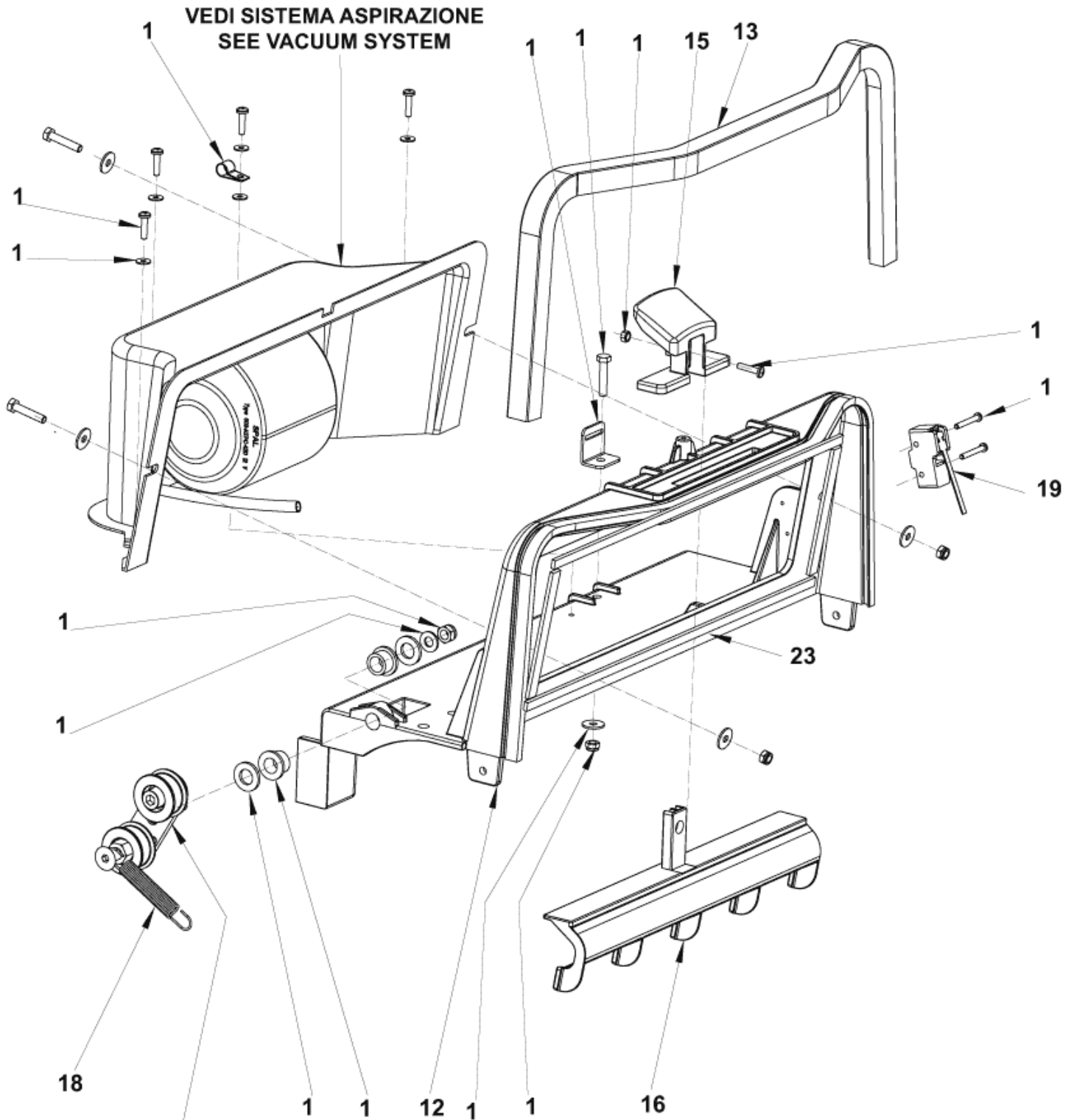
# Støvkontrolsystem

FLOORTEC 350

26-09-2014

StyMiste ID  
FLOORTEC35016

17



# Støvkontrolsystem

FLOORTEC 350

26-09-2014

StyMiste ID  
FLOOR I EC35016

18

Pos	Vare nr.	Ant	Beskrivelse
1	1463874000	1	Hardware Kit
12	146 2988 000	1	Pakning Til Filter
13	1463747000	1	GASKET EXTRUDED L.845MM
15	146 2992 000	1	Håndtag For Filterryster
16	146 2993 000	1	Håndtag For Filter Ryster
18	145 0274 000	1	Fjeder
19	145 9679 000	1	Microswitch 16A 250V
23	1463176000	1	Pakning Sw750

# Vacuum system and filter assembly

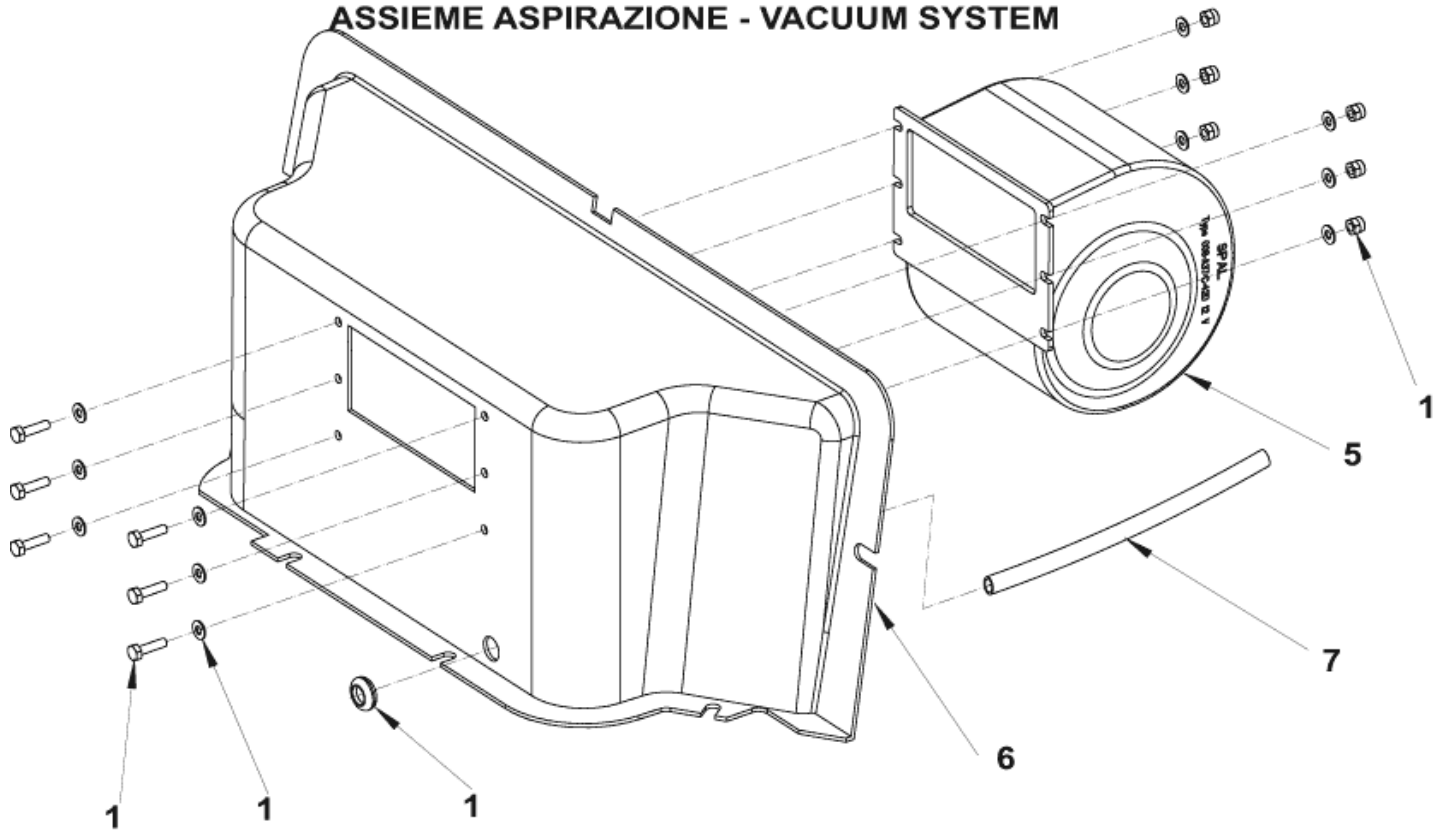
FLOORTEC 350

26-09-2014

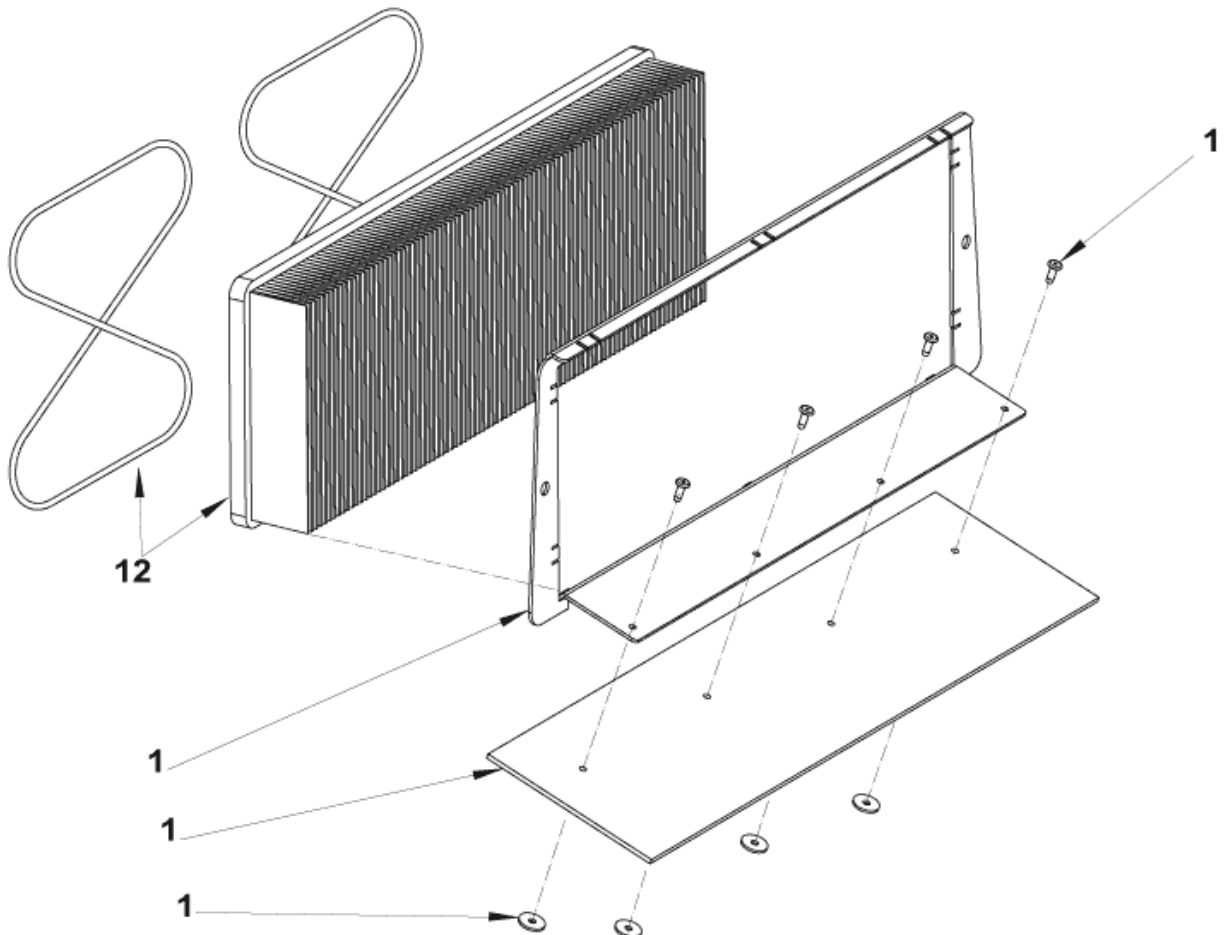
StyMiste ID  
FLOORTEC35018

19

## ASSIEME ASPIRAZIONE - VACUUM SYSTEM



## GRUPPO FILTRO - FILTER ASSEMBLY



# Vacuum system and filter assembly

FLOORTEC 350

26-09-2014

StyMiste ID  
FLOORTEC35018

20

Pos	Vare nr.	Ant	Beskrivelse
1	1463875000	1	Hardware Filter Fixing Ki T
5	146 1804 000	1	Ventilator Vinge
6	146 3055 000	1	CONVEYOR
7	146 3125 000	1	SHEATH D.6XD.7 L 200
12	1463161000	1	Filter poly ester kit

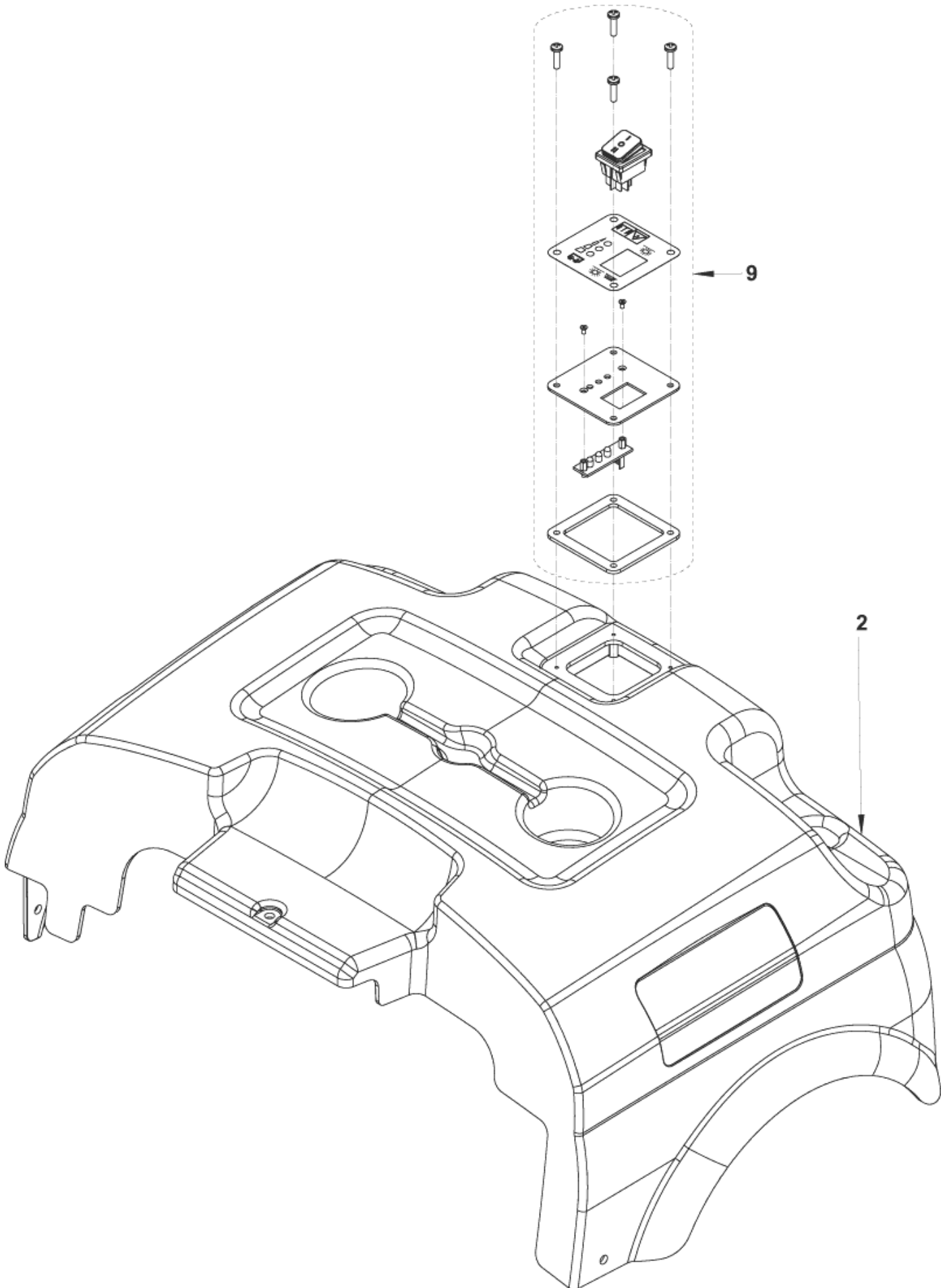
# Control panel system

FLOORTEC 350

26-09-2014

StyMiste ID  
FLOORTEC35020

21



# Control panel system

## FLOORTEC 350

26-09-2014

StyMiste ID  
FLOORTEC35020

22

Pos	Vare nr.	Ant	Beskrivelse
2	146 3070 000	1	Cover Rear Black
9	1463183000	1	Kontrolpanel

# LEDNINGSDIAGRAM

FLOORTEC 350

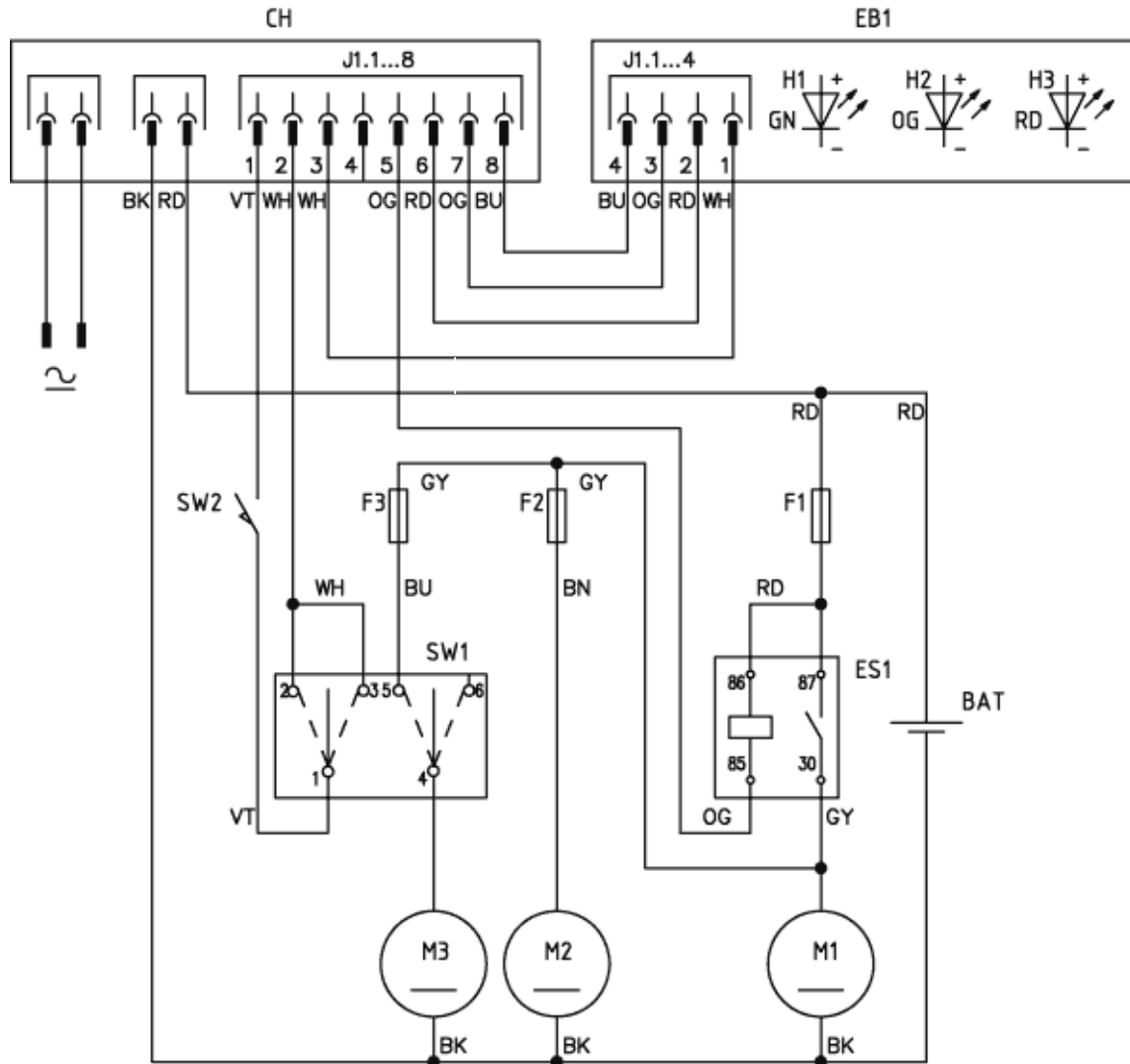
26-09-2014

StyMiste ID  
FLOORTEC35022

23

## WIRING DIAGRAM

146 3089 000 - Rev.B



COMPONENTS	
BAT	12V Battery
CH1	Batt. charger / Function controller
EB1	LED board
ES1	Relais
F1	Main circuit breaker
F2	Fan fuse
F3	Side broom circuit breaker
H1	Full charge led
H2	Half charge led
H3	Empty charge led
M1	Main motor
M2	Fan
M3	Side broom motor
SW1	Switch
SW2	Hopper microswitch

# LEDNINGSDIAGRAM

FLOORTEC 350

26-09-2014

StyMiste ID  
FLOORTEC350Z

24



# Recommended spare parts and accessories

FLOORTEC 350

26-09-2014

StyMiste ID  
FLOORTEC35024

25

Ingen tegning

# Recommended spare parts and accessories

## FLOORTEC 350

26-09-2014

StyMiste ID  
FLOORTEC35024

26

Pos	Vare nr.	Ant	Beskrivelse	
1	1463166000	1	Sideskørt kit, standard	WEAR PARTS
2	146 3035 000	1	Sidekost standard	WEAR PARTS
3	1463174000	1	Fejev alse standard	WEAR PARTS
4	146 3027 000	1	Rem	WEAR PARTS
5	1463161000	1	Filter poly ester kit	ORDINARY MAINTENANCE
6	1464045000	1	Rem-Sæt	ORDINARY MAINTENANCE
7	1463305000	1	Rem	ORDINARY MAINTENANCE
8	1463976000	1	WHEEL BLUE KIT	EXTRAORDINARY MAINTENANCE
9	146 1804 000	1	Ventilator Vinge	EXTRAORDINARY MAINTENANCE
10	909 5706 000	1	Sikring 30A	EXTRAORDINARY MAINTENANCE
11	146 3051 000	1	Lader 12V 6A 100-240V 50-60H	EXTRAORDINARY MAINTENANCE
12	1464483000	1	Batteri 12V 49A AGM monoblok	EXTRAORDINARY MAINTENANCE
13	146 3113 000	1	Relæ, 12V 70 A Tyco	EXTRAORDINARY MAINTENANCE
14	146 3090 000	1	CIRCUIT BREAKER 5A	EXTRAORDINARY MAINTENANCE
15	1463183000	1	Kontrolpanel	EXTRAORDINARY MAINTENANCE
16	1465998000	1	MOTOR ELECTRIC 200W 12V PKD	EXTRAORDINARY MAINTENANCE
17	145 9679 000	1	Microswitch 16A 250V	EXTRAORDINARY MAINTENANCE
18	1465999000	1	REDUCTION GEARMOTOR 40W 12V PKD	EXTRAORDINARY MAINTENANCE
19	1464853000	1	Batteri 12V 87A AGM monoblok	ACCESSORY
20	146 3016 000	1	Fejev alse til tæpper/naturfiber	ACCESSORY
21	146 3015 000	1	Fejev alse polypropylen	ACCESSORY
22	146 3036 000	1	Sidekost ny lon til tæpper	ACCESSORY
23	1463171000	1	Tæppe kit	ACCESSORY
24	1463167000	1	Svætefit skørt, kit (side, bag, for)	ACCESSORY
25	1463255000	1	Sideskørt-sæt	ACCESSORY