

AERO 20, AERO 25, AERO 35

Model:

Aero 20-01

Aero 20-11

Aero 20-21

Aero 25-01

Aero 25-11

Aero 25-21

AERO 35-21 INOX



Stykliste Dansk

28-03-2013

Indholdsfortegnelse

AERO 20, AERO 25, AERO 35

| | |
|-------------------------------|-----------|
| Hood and power cord | 3 |
| Motor, Filter | 5 |
| Container 20, 25 | 7 |
| Container 35 INOX | 9 |
| Tilbehør | 11 |
| ANBEFALEDE RESERVEDELE | 13 |

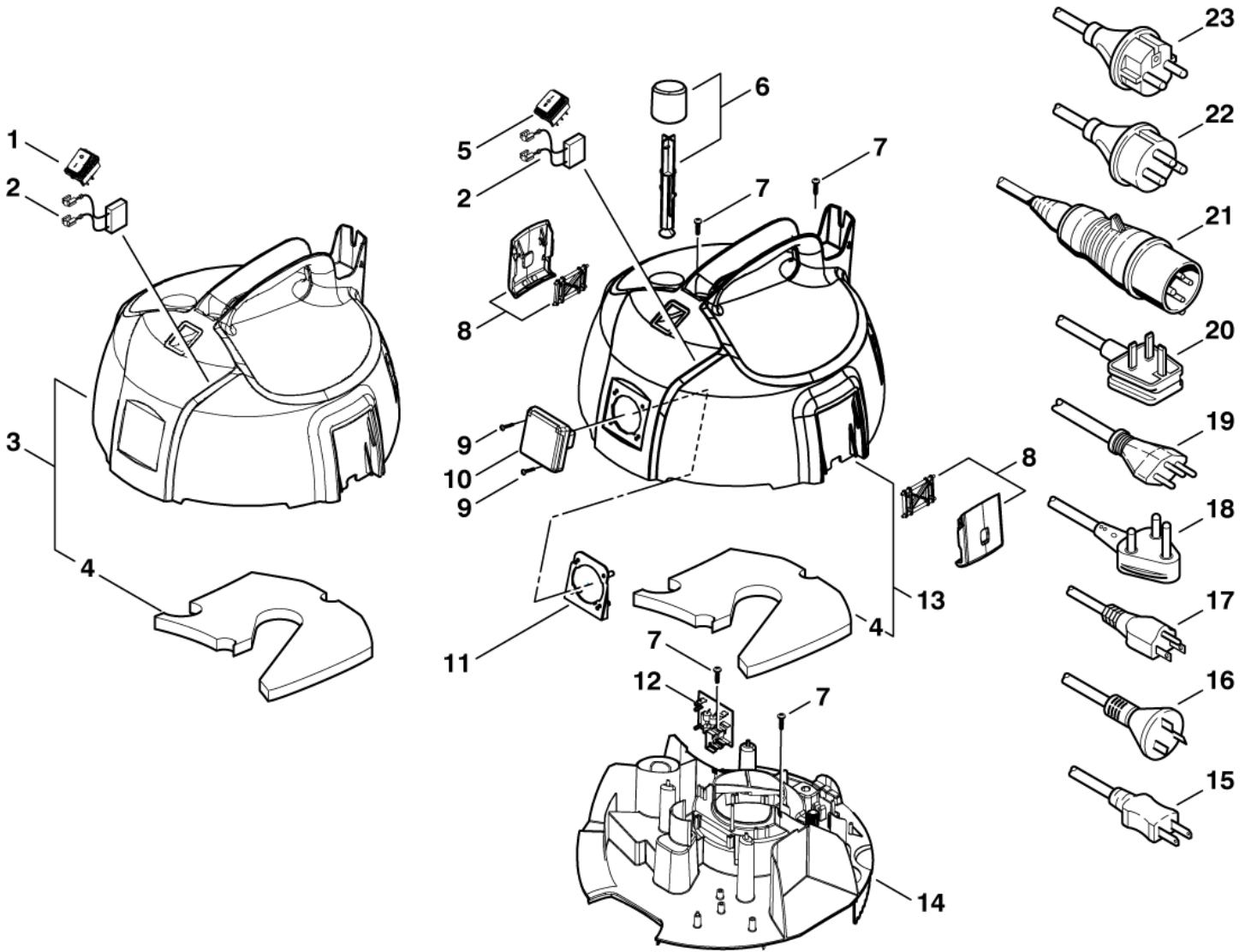
Hood and power cord

AERO 20, AERO 25, AERO 35

28-03-2013

StyMiste ID
AERO2002

3



Hood and power cord

AERO 20, AERO 25, AERO 35

28-03-2013

StyMiste ID
AERO2002

4

| Pos | Vare nr. | Ant | Beskrivelse | |
|-----|-----------|-----|--------------------------------|--|
| 1 | 107404540 | 1 | Kontakt (0-1) | 20-01, 20-01 INOX, 25-01 |
| 2 | 107404542 | 1 | ANTI-INTEFERENCE CAPACITOR SET | 20-21, 20-21 INOX, 25-21 |
| 2 | 61385 | 1 | Kondensator Aero | 20-01, 20-01 INOX, 25-01, 20-11, 25-11 |
| 3 | 302002423 | 1 | Dæksel F.Aero-01 | 20-01, 20-01 INOX, 25-01 |
| 4 | 302002050 | 1 | SOUND INSULATION PLATE | |
| 5 | 107404540 | 1 | Kontakt (0-1) | 20-11, 25-11 |
| 5 | 107404541 | 1 | Kontakt (1-0-2) | 20-21, 20-21 INOX, 25-21 |
| 6 | 302002425 | 1 | Filter Deduster Kit Aero | |
| 7 | 11565 | 4 | Skrue Pt5X18 | |
| 8 | 302002426 | 2 | Snaplås | |
| 9 | 11256 | 2 | Skrue Ka3,5X18 | 20-11, 20-21, 20-21 INOX, 25-11, 25-21 |
| 10 | 302000152 | 1 | SOCKET 2-P.+PE 16A/250V -FR | 20-21 INOX, 25-11, 25-21 *FR* |
| 10 | 302000683 | 1 | Stikdåse | 20-11, 20-21, 25-21 *DK* |
| 10 | 302001185 | 1 | SOCKET 10A/250V AU | 20-11, 25-21 *AU* |
| 10 | 302004034 | 1 | Stikdåse 16A/250V Eu | 20-11, 20-21, 25-11, 25-21 *EU* |
| 10 | 302004336 | 1 | SOCKET 13A/250V GB | 25-21 *GB, 230V* |
| 10 | 302004337 | 1 | SOCKET 10A/250V CH | 20-11, 25-21 *CH* |
| 10 | 302004338 | 1 | SOCKET 15A/125V US/CSA | 25-21 *JP* |
| 11 | 302002052 | 1 | PLUG SOCKET PLATE | 20-11, 20-21, 20-21 INOX, 25-11, 25-21 |
| 12 | 61278 | 1 | Autom. Starter Aero 840A | * SEE NOTE |
| 12 | 62171 | 1 | AUTO START CTV 7 AS | 25-21*JP* |
| 13 | 302002424 | 1 | Dæksel Aero -11,-21 | 20-11, 20-21, 20-21 INOX, 25-11, 25-21 |
| 14 | 107402660 | 1 | PLATE CHUCK /AERO 20/25/ | |
| 15 | 302002392 | 1 | POWERCORD AWG 18/2 SJTW X5.7M | 20-01 *JP* |
| 16 | 302002391 | 1 | POWERCORD H05VV-F 3G1.5X5.7M A | 20-11, 25-21 *AU* |
| 17 | 302002393 | 1 | POWERCORD AWG 14/3 SJTWX5.7M | 25-21 *JP* |
| 18 | 60903 | 1 | POWERCORD H05VV-F 2X0.75X5.M S | 20-01 INOX, 25-01 *ZA* |
| 19 | 61132 | 1 | POWERCORD HO5VV-F 3G1.0X5.7 SN | 20-11, 25-21 *CH* |
| 20 | 60904 | 1 | POWER CORD H05VV-F 2X0.75X5.7M | 20-01, 25-01 *GB,230V* |
| 20 | 61129 | 1 | POWER CORD H05VV-F3G1.5X5 | 25-21 *GB,230V* |
| 21 | 60282 | 1 | POWER CORD H07BQ-F 2X1.5 SQUAR | 20-01 *GB,110V* |
| 22 | 64165 | 1 | Kabel For Aero 840A | 20-11, 20-21, 25-21 *DK* |
| 23 | 60865 | 1 | CABLE H05VV-F 2 X 0.75 X 5.0 C | 20-01, 20-01 INOX *EU* |
| 23 | 61130 | 1 | Power Cord H05Vv-F3G1,5X 5,0 | ** SEE NOTE |
| NI | 302002500 | 1 | CORRUG. PACKAGING AERO 20-25 | |
| NI | 302002542 | 1 | CORRUGATED PACKAGING | INOX VERSIONS |

* NOTE: 20-21, 20-21 INOX, 25-21, *EU*DK*CH*FR* GB,230V*AU*

** NOTE: 20-11, 20-21, 20-21 INOX, 25-11, 25-21, *EU*FR*

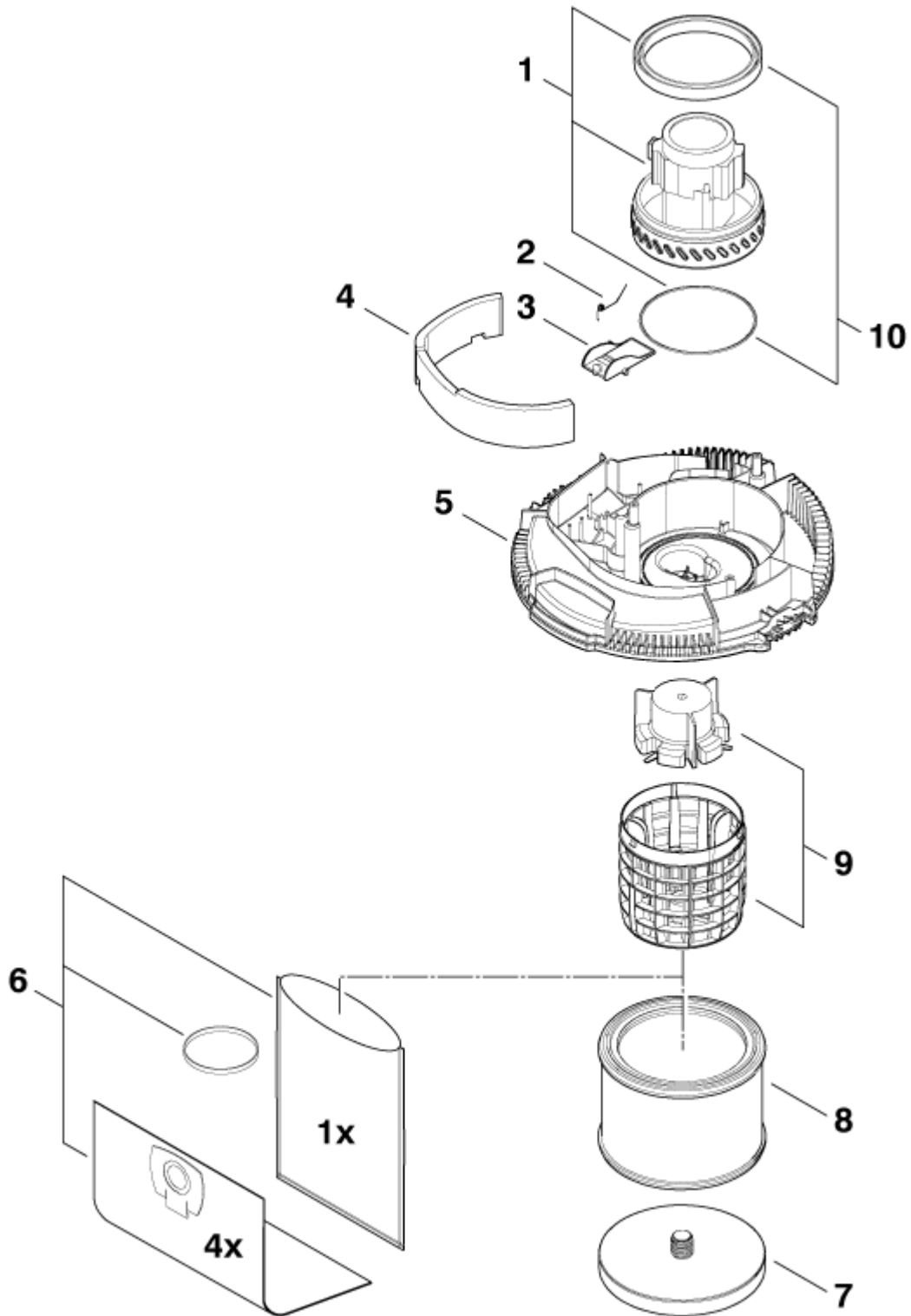
Motor, Filter

AERO 20, AERO 25, AERO 35

28-03-2013

StyMiste ID
AERO2004

5



Motor, Filter

AERO 20, AERO 25, AERO 35

28-03-2013

StyMiste ID
AERO2004

6

| Pos | Vare nr. | Ant | Beskrivelse |
|-----|-----------|-----|--|
| 1 | 107400649 | 1 | VAC MOTOR 1000W 240V KIT AERO |
| 1 | 107402747 | 1 | MOTOR TURBINE 1000W 120V 20-01 *GB,110V* |
| 1 | 302002435 | 1 | Motor 230V 1000W Aero |
| 1 | 302002436 | 1 | VAC MOTOR 1000W 100V KIT AERO 20-01, 25-21 *JP* |
| 1 | 302002439 | 1 | Motor 1150W 230V Aero * SEE NOTE |
| 2 | 909100083 | 1 | Fjeder |
| 3 | 302000344 | 1 | Klap |
| 4 | 302002051 | 1 | SOUND INSULATION PLATE |
| 5 | 302002130 | 1 | Plade Aero |
| 6 | 302002404 | 1 | Filterposer Aero (4 Bag) |
| 7 | 302002042 | 1 | Filter Surface Plate |
| 8 | 302000490 | 1 | Filterelement PUR M-klasse |
| 9 | 302002427 | 1 | Filter Med Svømmer Aero |
| 10 | 302002431 | 1 | Rep.Sæt Motorpakninger |

* NOTE: 25-01 *GB, 25-11 *EU*FR*, 25-21 *EU*CH*DK*FR* GB

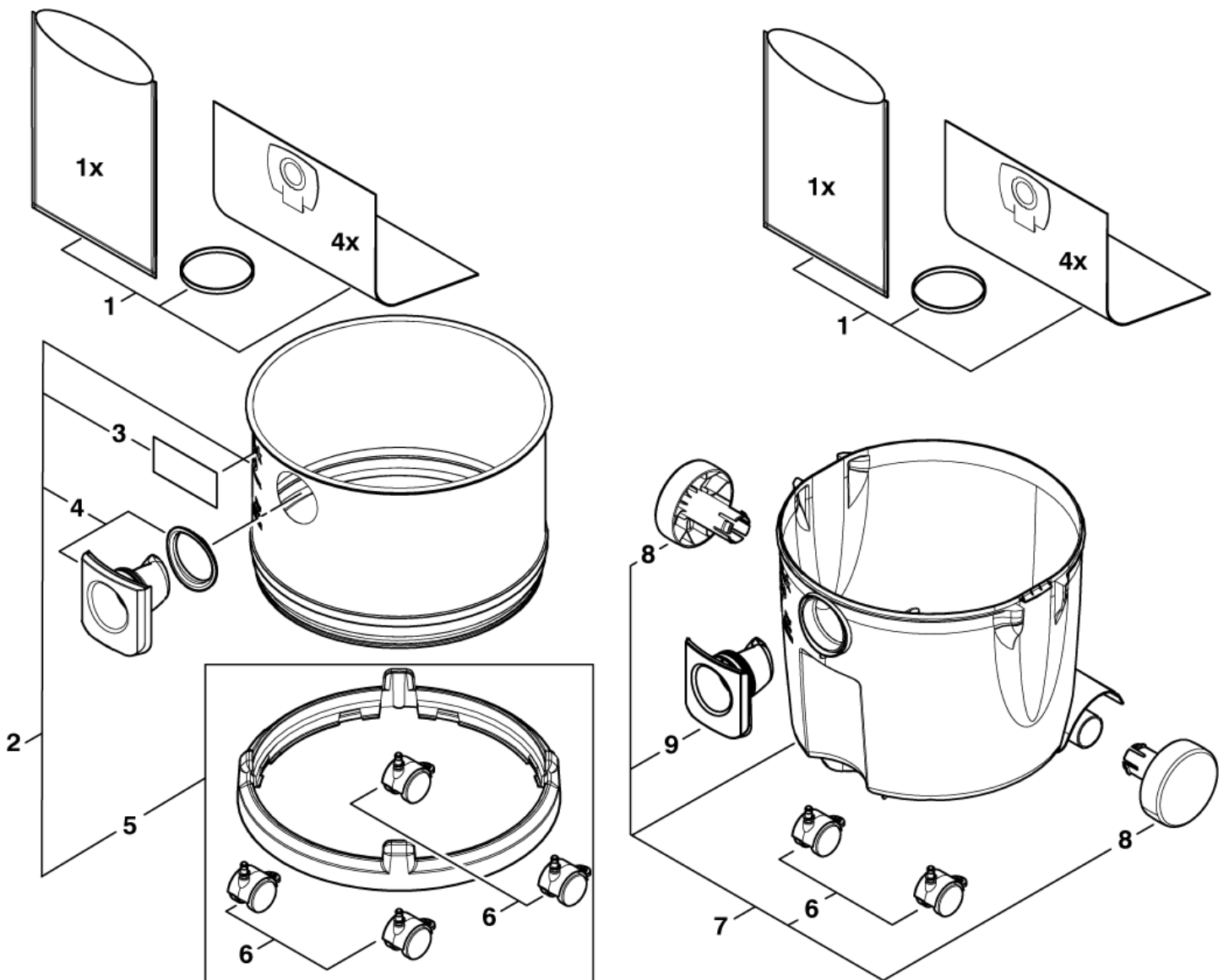
Container 20, 25

AERO 20, AERO 25, AERO 35

28-03-2013

StyMiste ID
AERO2006

7



Container 20, 25

AERO 20, AERO 25, AERO 35

28-03-2013

StyMiste ID
AERO2006

8

| Pos | Vare nr. | Ant | Beskrivelse |
|-----|-----------|-----|---|
| 1 | 302002404 | 1 | Filterposer Aero (4 Bag) |
| 2 | 302002429 | 1 | Container Kit Aero 20 Ino |
| 3 | 302002334 | 1 | LABEL AERO 20 INOX WAP |
| 4 | 302002428 | 1 | Fittingsæt Aero 20 |
| 5 | 107402665 | 1 | Container Ring Aero 20 |
| 6 | 302002422 | 1 | Rep.Sæt |
| 7 | 302002430 | 1 | "Container Kit ""Aero 25"" " AERO 25 and AERO 20. |
| 8 | 302002057 | 2 | Hjul |
| 9 | 302002047 | 1 | Fitting |

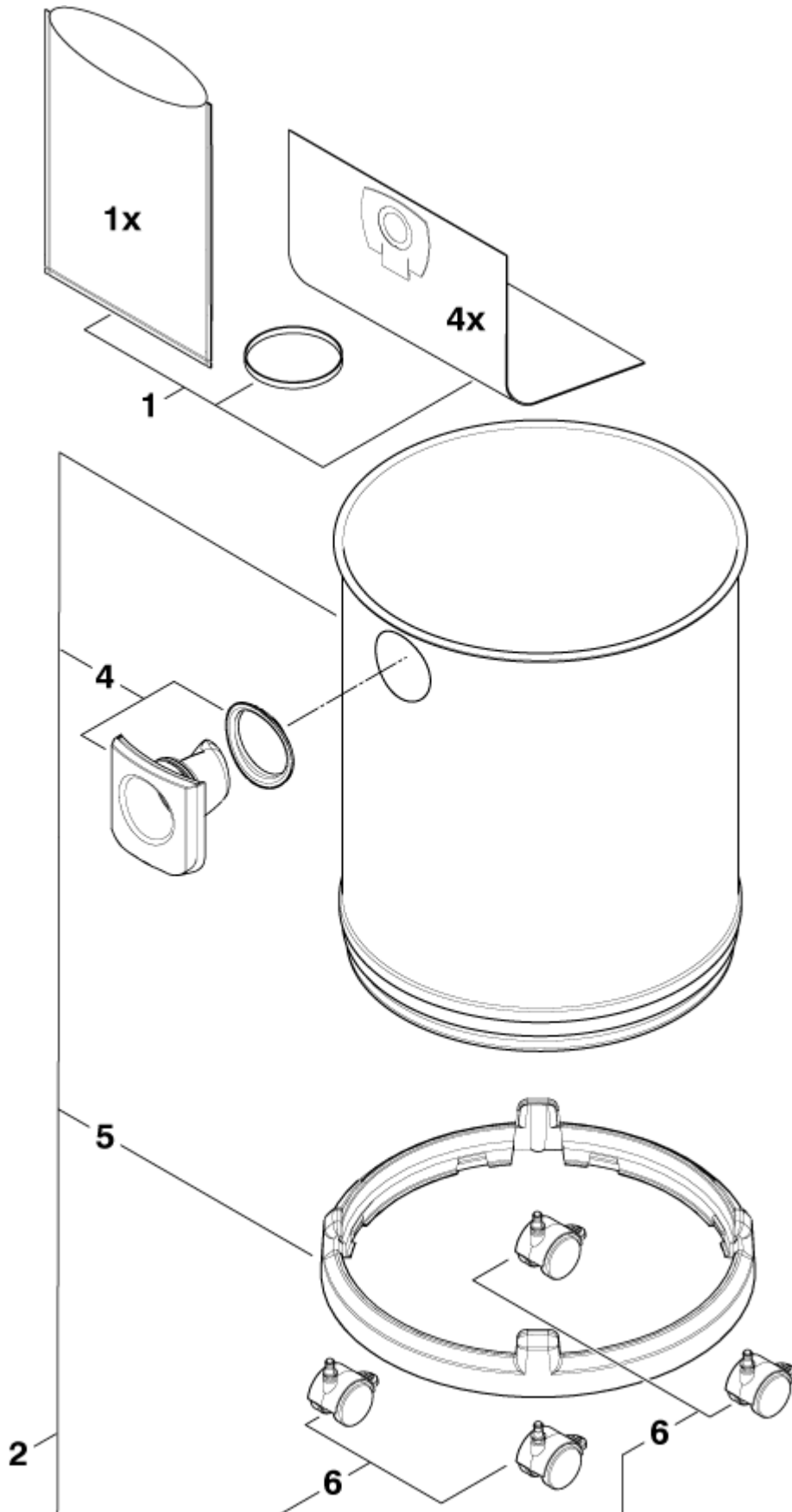
Container 35 INOX

AERO 20, AERO 25, AERO 35

28-03-2013

StyMiste ID
AERO2008

9



Container 35 INOX

AERO 20, AERO 25, AERO 35

28-03-2013

StyMiste ID
AERO2008

10

| Pos | Vare nr. | Ant | Beskrivelse |
|-----|-----------|-----|--------------------------------|
| 0 | | 1 | COVER PC MIL. AS250 RED-SET-SP |
| 1 | 302002404 | 1 | Filterposer Aero (4 Bag) |
| 2 | 107400143 | 1 | KIT CONTAINER 35 INOX |
| 4 | 302002428 | 1 | Fittingsæt Aero 20 |
| 5 | 107402665 | 1 | Container Ring Aero 20 |
| 6 | 302002422 | 1 | Rep.Sæt |

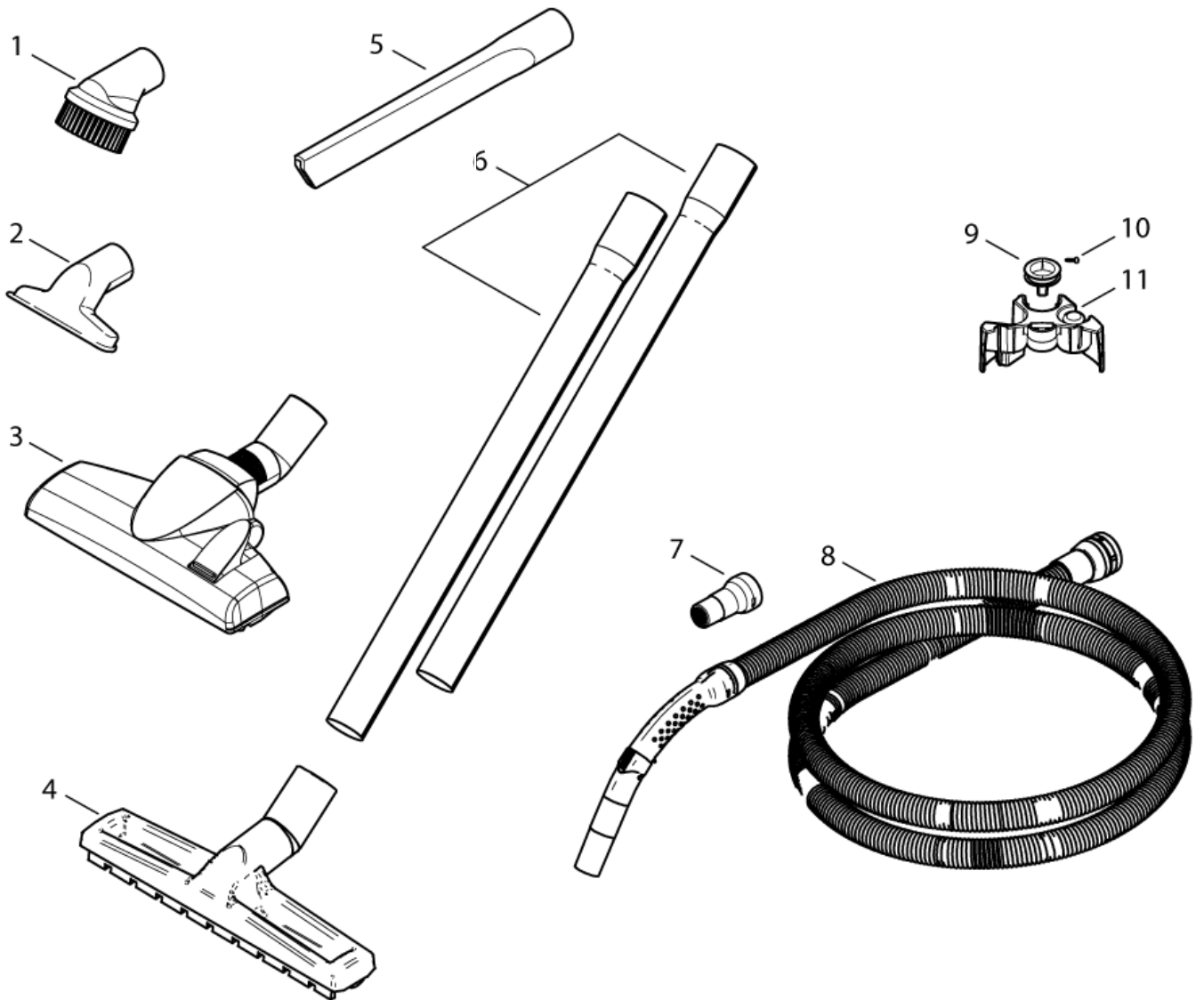
Tilbehør

AERO 20, AERO 25, AERO 35

28-03-2013

StyMiste ID
AERO2010

11



Tilbehør

AERO 20, AERO 25, AERO 35

28-03-2013

StyMiste ID
AERO2010

12

| Pos | Vare nr. | Ant | Beskrivelse |
|-----|-----------|-----|-------------------------------------|
| 0 | 107406182 | 1 | WALL DRILL KIT - FLEX |
| 1 | 302002509 | 1 | Børstedyse Ø36 |
| 1 | 5146 | 1 | Rundbørste 70mm Ø36 JP |
| 2 | 14295 | 1 | Polstermundstykke M/Børst Ø36 115Mm |
| 3 | 302002365 | 1 | Kombimundstykke 260mm Ø36 |
| 4 | 302002331 | 1 | Gulvmundstykke Ø36 |
| 5 | 29541 | 1 | Fugemundstykke Ø36X200 |
| 6 | 107400032 | 1 | Forlængerrør Alu. Ø36 2X500 mm |
| 6 | 40696 | 1 | Forlængerrør 36Mm. Pvc |
| 7 | 302002356 | 1 | Adapter |
| 8 | 107405599 | 1 | Sugeslange komplet Ø32x2500 |
| 8 | 107405600 | 1 | Sugeslange komplet Ø32x1900 |
| 8 | 107406115 | 1 | Sugeslange komplet Ø32x3500 |
| 9 | 302002056 | 1 | Ring |
| 10 | 11256 | 1 | Skrue Ka3,5X18 |
| 11 | 302002055 | 1 | Tilbehørholder Aero |

ANBEFALEDE RESERVEDELE

AERO 20, AERO 25, AERO 35

28-03-2013

StyMiste ID

AERO2012

13

Ingen tegning

ANBEFALEDE RESERVEDELE

AERO 20, AERO 25, AERO 35

28-03-2013

StyMiste ID
AERO2012

14

| Pos | Vare nr. | Ant | Beskrivelse | |
|-----|-----------|-----|--------------------------------|--|
| 1 | 107400032 | 1 | Forlængerrør Alu. Ø36 2X500 mm | |
| 1 | 107400649 | 1 | VAC MOTOR 1000W 240V KIT AERO | |
| 1 | 107402665 | 1 | Container Ring Aero 20 | |
| 1 | 107402747 | 1 | MOTOR TURBINE 1000W 120V | 20-01 GB,110V |
| 1 | 107404540 | 1 | Kontakt (0-1) | |
| 1 | 107404541 | 1 | Kontakt (1-0-2) | |
| 1 | 107406115 | 1 | Sugeslange komplet Ø32x3500 | |
| 1 | 302000152 | 1 | SOCKET 2-P.+PE 16A/250V -FR | 20-21 INOX, 25-11, 25-21 FR |
| 1 | 302000490 | 1 | Filterelement PUR M-klasse | |
| 1 | 302000683 | 1 | Stikdåse | 20-11, 20-21, 25-21 DK |
| 1 | 302002047 | 1 | Fitting | |
| 1 | 302002052 | 1 | PLUG SOCKET PLATE | 20-11, 20-21, 20-21 INOX, 25-11, 25-21 |
| 1 | 302002057 | 1 | Hjul | |
| 1 | 302002331 | 1 | Gulv mundstykke Ø36 | |
| 1 | 302002365 | 1 | Kombimundstykke 260mm Ø36 | |
| 1 | 302002391 | 1 | POWERCORD H05VV-F 3G1.5X5.7M A | 20-11, 25-21 AU |
| 1 | 302002392 | 1 | POWERCORD AWG 18/2 SJTW X5.7M | 20-01 JP |
| 1 | 302002393 | 1 | POWERCORD AWG 14/3 SJTWX5.7M | 25-21 JP |
| 1 | 302002422 | 1 | Rep.Sæt | |
| 1 | 302002426 | 1 | Snaplås | |
| 1 | 302002427 | 1 | Filter Med Svømmer Aero | |
| 1 | 302002428 | 1 | Fittingssæt Aero 20 | |
| 1 | 302002429 | 1 | Container Kit Aero 20 Ino | |
| 1 | 302002431 | 1 | Rep.Sæt Motorpakninger | |
| 1 | 302002435 | 1 | Motor 230V 1000W Aero | |
| 1 | 302002436 | 1 | VAC MOTOR 1000W 100V KIT AERO | 20-01, 25-21 JP |
| 1 | 302002439 | 1 | Motor 1150W 230V Aero | SEE NOTE* |
| 1 | 302004034 | 1 | Stikdåse 16A/250V Eu | 20-11, 20-21, 25-11, 25-21 EU |
| 1 | 302004336 | 1 | SOCKET 13A/250V GB | 25-21 GB, 230V |
| 1 | 302004337 | 1 | SOCKET 10A/250V CH | 20-11, 25-21 CH |
| 1 | 302004338 | 1 | SOCKET 15A/125V US/CSA | 25-21 JP |
| 1 | 60282 | 1 | POWER CORD H07BQ-F 2X1.5 SQUAR | 20-01 GB,110V |
| 1 | 60865 | 1 | CABLE H05VV-F 2 X 0.75 X 5.0 C | 20-01, 20-01 INOX EU |
| 1 | 60903 | 1 | POWERCORD H05VV-F 2X0.75X5.M S | 20-01 INOX, 25-01 ZA |
| 1 | 60904 | 1 | POWER CORD H05VV-F 2X0.75X5.7M | 20-01, 25-01 GB,230V |
| 1 | 61129 | 1 | POWER CORD H05VV-F3G1.5X5 | 25-21 GB,230V |
| 1 | 61130 | 1 | Power Cord H05Vv-F3G1,5X 5,0 | SEE NOTE |
| 1 | 61132 | 1 | POWERCORD H05VV-F 3G1.0X5.7 SN | 20-11, 25-21 CH |
| 1 | 61278 | 1 | Autom. Starter Aero 840A | SEE NOTE** |
| 1 | 62171 | 1 | AUTO START CTV 7 AS | 25-21JP |
| 1 | 64165 | 1 | Kabel For Aero 840A | 20-11, 20-21, 25-21 DK |

* NOTE: 25-01 *GB, 25-11 *EU*FR*, 25-21 *EU*CH*DK*FR* GB

* NOTE: 20-21, 20-21 INOX, 25-21, *EU*DK*CH*FR* GB,230V*AU*